

DAFTAR PUSTAKA

- Ajeng, Raden, Gusti Ramadhianti, Ir Cok, Gede Indra, and I Gusti Agung Pt. 2018. 'Rancang Bangun Monitoring Energi Listrik Menggunakan Sms Berbasis Mikrokontroler Atmega328' 5 (1): 130–38.
- Ali, Mansab, and Reuben Hackam. 2009. 'Recovery of Hydrophobicity of HTV Silicone Rubber after Accelerated Aging in Saline Solutions', 842–52.
- Atmel, Raspberry Pi Foundation, Xenomai, Ulrich Bantle, STMicroelectronics, Seeed Studio, RS Elektronik, et al. 2015. 'Harte Und Weiche Echtzeitsysteme Material Zur Vorlesung Echtzeitsysteme I + II Im Studienfach Technische Informatik an Der'. *Linux- Magazin*, no. November: 66.
<http://beagleboard.org/about%5Cnhttp://beagleboard.org/boards%5Cnhttps://www.raspberrypi.org/about/%5Cnhttp://redpitaya.com/about/%5Cnhttp://de.rs-online.com/web/p/digitalspeicher-oszilloskope/9010302/%5Cnhttp://www.linux-magazin.de/NEWS/Arduino-LLC-und-A>.
- Bär, Christiane, and Roland Bärsch. 2015. 'Evaluation of the Retention and Recovery of Hydrophobicity of Insulating Materials in High Voltage Outdoor Applications under AC and DC Stresses with the Dynamic Drop Test', 294–303.
<https://doi.org/10.1109/TDEI.2015.005348>.
- Basu, M. K., B. Mukherjee, and R. V. Lele. 1974. 'Semiconducting Glazes for High Tension Ceramic Insulators'. *Transactions of the Indian Ceramic Society* 33 (3–4): 39–49.
<https://doi.org/10.1080/0371750X.1974.10840836>.
- Blackmore, P, and D Birtwhistle. 1997. 'Surface Discharges on Polymeric Insulator Shed Surfaces' 4 (2): 210–17.
- Chang, J W, and R S Gorur. 1994. 'Surface Recovery of Silicone Rubber Used for HV Outdoor Insulation' 1 (6).
- Cherney, E. A. 1996. 'Non-Ceramic Insulators - A Simple Design That Requires Careful Analysis'. *IEEE Electrical Insulation Magazine* 12 (3): 7–15. <https://doi.org/10.1109/57.509920>.
- Cherney, E A. 1981. 'IEEE Transactions', no. 1: 131–42.
- Cherney, E A, A C Baker, J Kuffel, Z Lodi, and A Phillips. 2014. 'CEMENT GROWTH FAILURE OF PORCELAIN SUSPENSION INSULATORS'

29 (1): 275–82.

Cherney, E A, and Ontario Hydro. 1983. 'CEMENT ROWTH FAILURE OF PORCELAIN SUSPENSION INSULATORS', no. 8: 2765–74.

Ching, Yern Chee, T M S Udenni Gunathilake, Kuan Yong Ching, Cheng Hock Chuah, Viorel Sandu, Ramesh Singh, and Nai-shang Liou. 2019. *Effects of High Temperature and Ultraviolet Radiation on Polymer Composites. Durability and Life Prediction in Biocomposites, Fibre-Reinforced Composites and Hybrid Composites*. Elsevier Ltd. <https://doi.org/10.1016/B978-0-08-102290-0.00018-0>.

Chrzan, Krystian Leonard. 2010. 'Leakage Currents on Naturally Contaminated Porcelain and Silicone Insulators'. *IEEE Transactions on Power Delivery* 25 (2): 904–10. <https://doi.org/10.1109/TPWRD.2009.2034665>.

CIGRE Taskforce 33.04.01. 2000. 'Polluted Insulators: Review of Current Knowledge, "CIGRE Technical Brochure 158'. *CIGRE Technical Brochure*, CIGRE Tech. Broch.

Commission, International Electrotechnical. 2008. 'Selection and Dimensioning of High-Voltage Insulators Intended for Use in Polluted Conditions - Part 2'. Technical Specification, IEC. 2008. <https://doi.org/ArXiv ID>.

Dqghu, O H, Hujhuw Lqghuehujhu, Z D V Srvvleoh, W R Revhuyh, D Vljqlilfdqw Lqfuhdvh, L Q Wkh, Ryhudoo Sro, and Gphwk Ovlor. 2017. '7UDQVIHU RI + \ GURSKRELFLW \ RI 3RO \ PHULF , QVXODWLQJ 0DWHULDOV IRU + LJK 9ROWDJH 2XWGRRU \$ SSOLFDWLRQ' 24 (2): 1057–67. <https://doi.org/10.1109/TDEI.2017.006146>.

Du, B. X., Yong Liu, H. J. Liu, and Y. J. Yang. 2009. 'Recurrent Plot Analysis of Leakage Current for Monitoring Outdoor Insulator Performance'. *IEEE Transactions on Dielectrics and Electrical Insulation* 16 (1): 139–46. <https://doi.org/10.1109/TDEI.2009.4784561>.

Du, B., and Hang Xu. 2014. 'Effects of Thermal Conductivity on Dc Resistance to Erosion of Silicone Rubber/BN Nanocomposites'. *IEEE Transactions on Dielectrics and Electrical Insulation* 21 (2): 511–18. <https://doi.org/10.1109/TDEI.2013.004139>.

Equipments, Steering. 1973. 'Selection and Dimensioning of High-Voltage Insulators Intended for Use in Polluted Conditions –', no. 1.

- Ergon, Energy. 2016. 'Standard for Distribution Line Design Overhead', no. 8802.
- Fernando, M. A.R.M., and S. M. Gubanski. 2000. 'Performance of Nonceramic Insulators under Tropical Field Conditions'. *IEEE Transactions on Power Delivery* 15 (1): 355–60. <https://doi.org/10.1109/61.847273>.
- Fong, Fleur. 2002. 'Operational Experience on HVDC and HVAC Insulators at Sylmar Converter Station Conditions Leading to the Flashovers Flashovers on an RTV-Coated Insulator', no. March 1985: 216–19.
- Ghosh, R., B. Chatterjee, and S. Chakravorti. 2016. 'Investigations on the Effect of Voltage Harmonics on Leakage Current for Condition Monitoring in Insulators'. *2016 IEEE 6th International Conference on Power Systems, ICPS 2016*, 0–4. <https://doi.org/10.1109/ICPES.2016.7584091>.
- Gorur, R., Cherney, E., Hackam. 1988. 'The AC and DC Performance of Polymeric Insulating Materials under Accelerated Aging in a Fog ChamberE'. *Power Delivery, IEEE Transactions* 3 (4): 1892–1902.
- Gorur, R.S.E.A. Chemey, R. HackamT. orbeck. 1988. 'The Electrical Performance of Polymeric Insulating Materials under Accelerated Aging in a Fog Chambe - Power Delivery, IEEE Transactions On' 3 (3): 1157–64.
- Gorur, R S, J W Chang, and Franklin Park. 1990. 'SURFACE HYDROPHOBICITY OF POLYMERS USED FOR OUTDOOR INSULATION' 5 (4): 1923–33.
- Gorur, Ravindranath Srinivasan. 1986. 'This Reproduction Is the Best Copy Available . UMF'.
- H. Berahim, K.T. Sirait, F. Soesianto, Tumiran. 2003. 'A New Performance of RTV Epoxy Resin Insulation Material in Tropical Climate.' In *Proceedings of the International Conference on Properties and Application of Dielectric Materials*. Nagoya.p. 607.
- Hall, James F. 1993. 'History and Bibliography of Polymeric Insulators for Outdoor Applications'. *IEEE Transactions on Power Delivery* 8 (1): 376–85. <https://doi.org/10.1109/61.180359>.
- Hillborg, H., and Gedded, U. 1999. "Hydrophobicity Changes in Silicone Rubbers," *IEEE Transactions on Dielectrics and Electrical Insulation* vol.6, p.: 703–17.

- ICCSR. 2010. 'Scientific Basis: Analysis and Projection of Temperature and Rainfall', 83.
- IEC 60343. 2004. 'Internationale International Internationale International' 50 (541).
- IEC 60507. 2013. 'Artificial Pollution Test on High-Voltage Insulators, Standard IEC 60507, 1991.' In *61010-1* © Iec:2001, 2006:13.
- IEC 60815-1. 2018. 'Selection and Dimensioning of High-Voltage Insulators Intended for Use in Polluted Conditions – Part 1: Definitions, Information and General Principles'. *International Electrotechnical Commission*, 1–2.
papers3://publication/uuid/88519C43-BEA6-4CA0-909D-FA19A25647BB.
- Ivran, Amriadi. 2000. 'Karakteristik Flashover Dan Arus Bocor Pada Bahan Isolasi Polymer Yang Berpolutan'. UGM, Yogyakarta.
- J. Kim, M. K. Chaudhury and M. J. Owen. 1999. 'Hydrophobicity Loss and Recovery of Silicone HV Insulation,' *IEEE Trans. On Dielectrics and Electrical Insulation* 6 (5): 695–702.
- J. W. Chang and R. S. Goru. 1994. 'Hydrophobicity of Silicone Rubber Used for Outdoor Insulation (An Overview)'. *Reviews on Advanced Materials Science* 16 (1–2): 299–269.
- J.W. Gang and R.S.Gorur. 1992. 'The Role of Backbone Chain Rotation in the Hydrophobicity Recovery of Polymeric Materials for Outdoor Insulation', 270–74.
- Jonscher, Andrew K, and Aishah Isnins. 1996. "“Trans-Universal” Dielectric Response - Electrical Insulation and Dielectric Phenomena, 1996., IEEE 1996 Annual Report of the Conference O'. *October*, 0–3.
- JP Holtzhausen. 1977. 'A Critical Evaluation of AC Pollution Flashover Models for HV Insulators Having Hydrophilic Surfaces'. PhD Thesis, University of Stellenbosch, South Africa.
- Kumara, Sarath, and Manjula Fernando. 2020. 'Performance of Outdoor Insulators in Tropical Conditions of Sri Lanka'. *IEEE Electrical Insulation Magazine* 36 (4): 26–35.
<https://doi.org/10.1109/MEI.2020.9111097>.
- Lambeth FJ. 1971. 'Effect of Pollution on High- Voltage Outdoor Insulators'. *Proceedings of the Institution of Electrical Engineers* 118 (9 R): 1107–30. <https://doi.org/10.1049/piee.1971.0245>.

- Lambeth P. 1983. "The Use of Semiconducting Glaze Insulators," *Cigre, Electra*, Vol. 86: pp 89-106.
- Lambeth, P J, B Sc Eng, and C Eng. 1971. 'Effect of Pollution on High-Voltage Outdoor Insulators' 118 (9).
- Leclerc, M., Bouchard, R., Gervais, Y., and Mukhedkar, D. 1982. "Wetting Process on a Contaminated Insulator Surface," *IEEE Trans. on PAS* 101: 1005–11.
- Lenick, Anthony J O. 1999. 'Basic Silicone Chemistry – A Review'.
- Li, Shengtao, Shihu Yu, and Yang Feng. 2016. 'Progress in and Prospects for Electrical Insulating Materials', 1–8. <https://doi.org/10.1049/hve.2016.0034>.
- Looms, J.S.T. 1998a. 'Insulators for High Voltages,' IEE Power Engineering Series, Vol.7, Peter Peregrinus Ltd., ISBN 9780863411168, 1988'. *IEEE Electrical Insulation Magazine* 7.
- . 1998b. 'Insulators for High Voltages'. In , edited by J. S. T. Looms, 288. <https://doi.org/https://doi.org/10.1049/PBPO007E>.
- Lv, Jianxun, Xin Guo, Haiwen Yuan, and Yuanqing Liu. 2016. 'Nonintrusive Insulator Leakage Current Monitoring System Based on Fiber Optic Transmission'. *Proceedings - 5th International Conference on Instrumentation and Measurement, Computer, Communication, and Control, IMCCC 2015*, 885–89. <https://doi.org/10.1109/IMCCC.2015.193>.
- Maadjoudj, D, A Mekhaldi, and M Tegar. 2018. 'Flashover Process and Leakage Current Characteristics of Insulator Model under Desert Pollution'. *IEEE Transactions on Dielectrics and Electrical Insulation* 25: 2296–2304. <https://doi.org/10.1109/TDEI.2018.007112>.
- Mackevich, Jeffry, and R J Chang. 1997. 'Polymer Outdoor Insulating Materials Part III-Silicone Elastomer Considerations' 13 (5): 25–32.
- Mackevich, Jeffry, and Minesh Shah. 1997. 'Polymer Outdoor Insulating Materials Part I: Comparison of Porcelain and Polymer Electrical Insulation'. *IEEE Electrical Insulation Magazine* 13 (3): 5–12. <https://doi.org/10.1109/57.591510>.
- Manjang Salama, Mustamin. 2010. 'Characteristics of High Voltage Polymer Insulators under Pressure Aging Accelerated Artificial Tropical Climate'. *Jurnal Media Elektrik* Volume 5,.

Mccarthy, Primary Examiner-helen M. 1976. 'United States Patent (19)', no. 19.

Montoya, Gerardo Tena, Isaias Vazquez Ramirez, and Ramiro Hernandez. 2008. 'The Leakage Current as a Diagnostic Tool for Outdoor Insulation'. *2008 IEEE/PES Transmission and Distribution Conference and Exposition: Latin America, T and D-LA*. <https://doi.org/10.1109/TDC-LA.2008.4641698>.

Mousalreza Faramarzi Palangar and Mohammad Mirzaie. 2016. 'Diagnosis of Porcelain and Glass Insulators Conditions Using Phase Angle Index Based on Experimental Tests'. *IEEE Transactions on Dielectrics and Electrical Insulation* 23, No 3; J: 1460–66. <https://doi.org/10.1109/TDEI.2015.005586>.

Obenaus, F. 1958. *Contamination Flashover and Creepage Path Length*. Deutsch Electrotechnik 12.

Oliveira, Sérgio C., Eduardo Fontana, and Fernando José do Monte de Melo Cavalcanti. 2009. 'Real-Time Monitoring of the Leakage Current of 230-KV Glass-Type Insulators during Washing'. *IEEE Transactions on Power Delivery* 24 (4): 2257–60. <https://doi.org/10.1109/TPWRD.2009.2016814>.

Oliveira, Sérgio Campello, Eduardo Fontana, Fernando José, and De Melo Cavalcanti. 2009. 'Real-Time Monitoring of the Leakage Current of 230-KV Glass-Type Insulators During Washing' 24 (4): 2257–60.

R. Hadi Sardjono, Ahnan Ma'ruf, Dono Bardono. 2012. 'Pengembangan Sistem Pengukuran Tegangan Tembus Frekuensi Rendah (50 Hz / 60 Hz) Untuk Standarisasi Pengukuran Arus Bocor Isolator Pada Tegangan Tinggi Kontinyu Di Kondisi Kering Dan Basah'.

R. S. Gorur, & T. Orbeck. 1991. 'Surface Dielectric Behavior of Polymeric Insulation under HV Outdoor Conditions' 26 (5): 1064–72.

Rajini, V., and K. Udayakumar. 2009. 'Degradation of Silicone Rubber under Ac or Dc Voltages in Radiation Environment'. *IEEE Transactions on Dielectrics and Electrical Insulation* 16 (3): 834–41. <https://doi.org/10.1109/TDEI.2009.5128524>.

Ramirez, Isaias, and Gerardo Montoya. 2012. 'Measurement of Leakage Current' 28 (4): 29–34.

Reynders, J. P. Reynders; I. R. Jandrell; S. M. 1999. 'Review of Aging and Recovery of Silicone Rubber Insulation for Outdoor Use' Vol. 6 (Issue 5): 620–31.

<https://doi.org/https://doi.org/10.1109/TDEI.1999.9286749>.

- Rowland, S M, Y Xiong, J Robertson, and P O Box. 2007. 'Aging of Silicone Rubber Composite Insulators on 400 KV Transmission Lines', 130–36.
- Salem, Ali Ahmed, Rahisham Abd Rahman, and Salem Al-Ameri. 2022. 'Pollution Flashover Characteristics of High-Voltage Outdoor Insulators: Analytical Study'. *Arabian Journal for Science and Engineering* 47 (3): 2711–29. <https://doi.org/10.1007/s13369-021-05745-x>.
- Sherif M. Elbadri. 1987a. 'The Electrical Performance Of HVAC And HVDC Over-Head Line Insulators Under Natural Pollution Cnditions'. In *Performance And Ageing Of HVAC And HVDC Overhead Line Insulators*.
- . 1987b. 'The Electrical Performance Of HVAC And HVDC Over-Head Line Insulators Under Natural Pollution Conditions'. In *Performance And Ageing Of HVAC And HVDC Overhead Line Insulators*, 1–96.
- Swift, D. , Haddad, A. , and Warne, D. 2004. "'Insulators for Outdoor Applications," *Advances in High Voltage Engineering*'.
- Tambi, Salama Manjang, Syafaruddin, Ikhlas Kitta. 2020. 'Development of Real – Time Monitoring and Identification System of Aging Insulators in the Tropics'. In *2019 2nd International Conference on High Voltage Engineering and Power Systems (ICHVEPS), Denpasar, Bali, Indonesia,, Pp. 213-217*. IEEE. <https://doi.org/10.1109/ICHVEPS47643.2019.9011152>.
- Torbjorn Sorqvist. 1997. 'Polymeric Outdoor Insulators'. In *Technical Report*, 27–48. Sweden: Departement of Electric Power Engineering.
- Verma, Alok Ranjan, G. Subba Reddy, and Rahul Chakraborty. 2018. 'Multistress Aging Studies on Polymeric Insulators'. *IEEE Transactions on Dielectrics and Electrical Insulation* 25 (2): 524–32. <https://doi.org/10.1109/TDEI.2018.006910>.
- Vlastds, Antonios E. 1994. 'Influence of Material and Electric Stress on the Performance of Polymeric Insulators', no. March 1993: 4–7.
- Wakhidin, Mohamad, and A Samples. 2018. 'Study on Leakage Current Characteristics and Electrical Equivalent Circuit Properties of Aged Polymer Insulator under Artificial Environmental Condition'. *2018 Conference on Power Engineering and Renewable Energy (ICPERE)*,

1–6.

Walter Noll. 1968. 'Chemistry and Technology of Silicones,' New York, Academic Press'. <https://doi.org/https://doi.org/10.1016/b978-0-125-20750-8.x5001-5>.

Wang, Jianguo, Yanjun Xi, Chunhua Fang, Li Cai, Jianping Wang, and Yadong Fan. 2019. 'Leakage Current Response Mechanism of Insulator String with Ambient Humidity on Days without Rain'. *IEEE Access* 7: 55229–36. <https://doi.org/10.1109/ACCESS.2019.2910660>.

Werneck, Marcelo Martins, Daniel Moreira Dos Santos, Cesar Cosenza De Carvalho, Fábio Vieira Batista De Nazaré, and Regina Célia Da Silva Barros Allil. 2015. 'Power Transmission Insulators'. *Ieee Sensors Journal* 15 (3): 1338–46.

Yuan, Yuehua, and T Randall Lee. 2013. *Contact Angle and Wetting Properties*. <https://doi.org/10.1007/978-3-642-34243-1>.

Zhijin, Zhang, Liang Tian, and Jiang Xingliang. 2019. 'Characterization of Silicone Rubber Degradation Under Salt-Fog Environment With AC Test Voltage'. *IEEE Access* 7: 66714–24. <https://doi.org/10.1109/ACCESS.2019.2917700>.

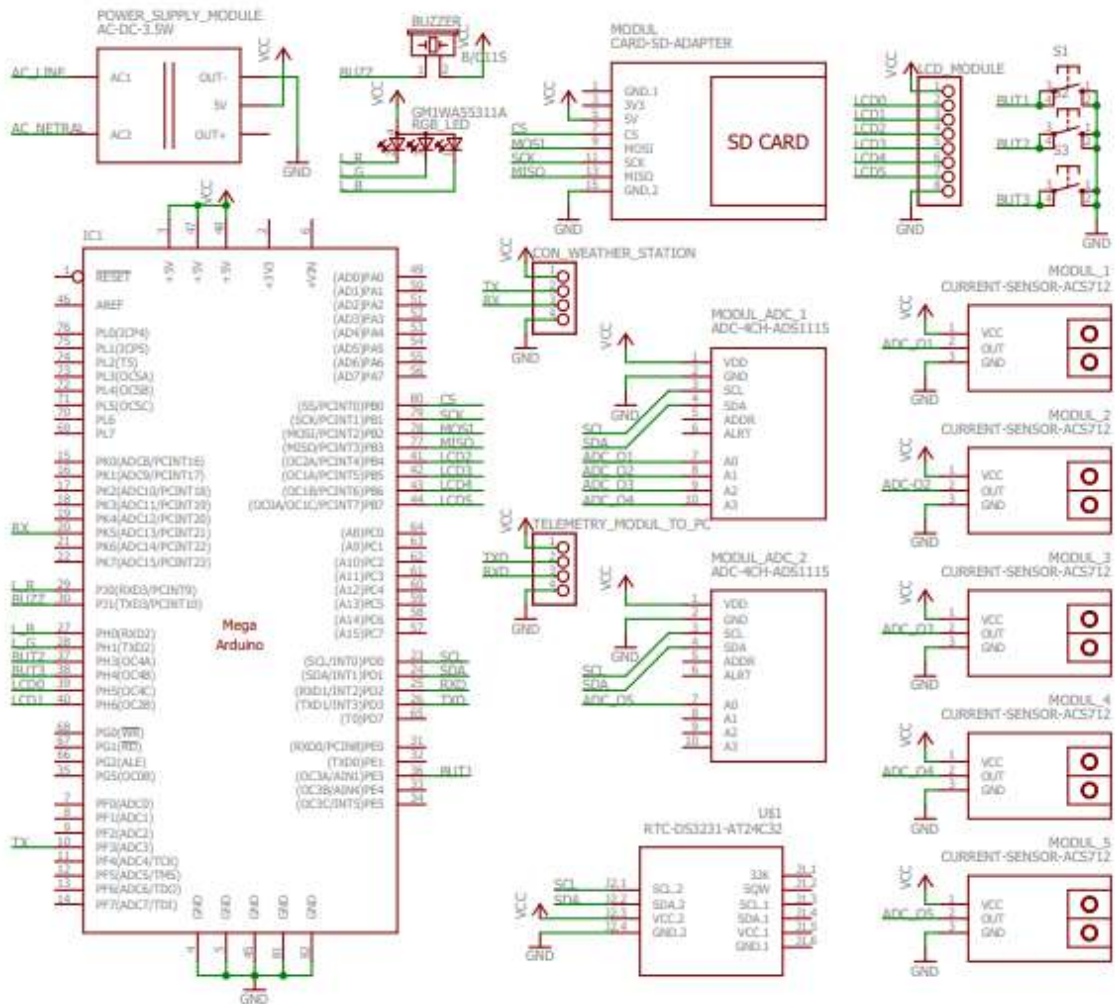
Zhu, Yong, Xiaorong Zhang, Shuchen Zhou, and Jiang Fang. 2018. 'Ageing Performance of HTV Silicone Rubber Used for Outdoor Insulation'. *2018 IEEE/PES Transmission and Distribution Conference and Exposition (T&D)*, 1–5.

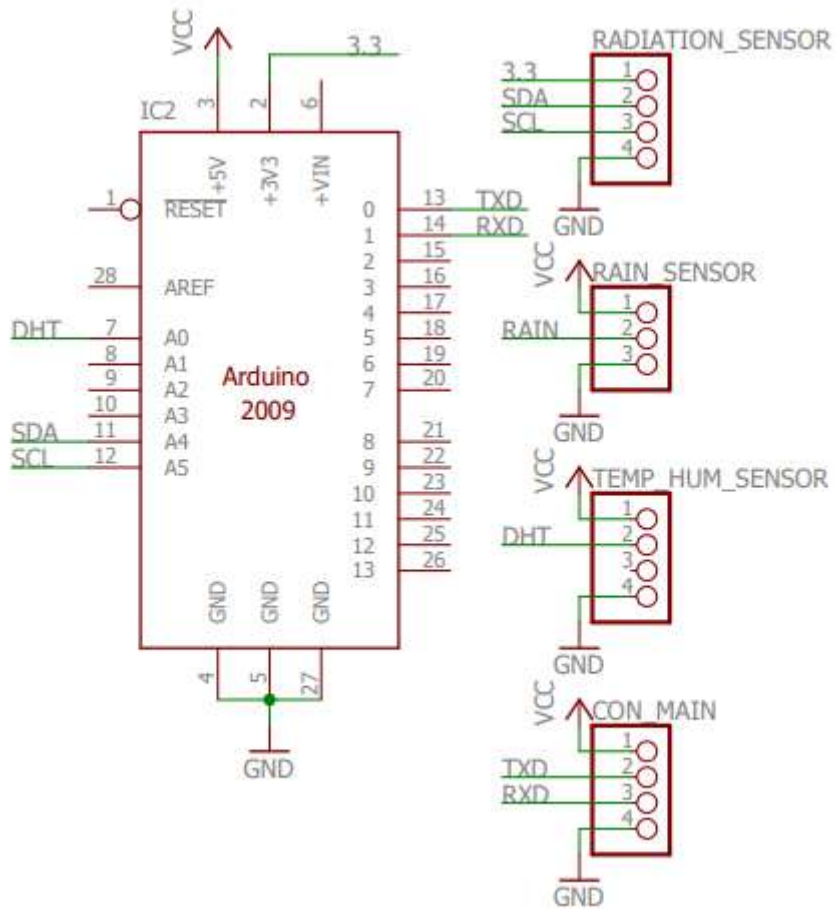
Zuo, Tingtao, Tianyu Liu, Ke Chen, and Xiaoguang Hu. 2012. 'On-Line Monitoring System of Insulator Leakage Current Based on ARM'. *IEEE International Conference on Industrial Informatics (INDIN)*, 75–79. <https://doi.org/10.1109/INDIN.2012.6301125>.

Lampiran 1

Single line diagram

Perancangan Alat monitoring dan stasiun cuaca





Lampiran 2

Kode Main System Monitoring dan Identifikasi

A. KODE MAIN SYSTEM MONITORING DAN IDENTIFIKASI:

```
#include <SPI.h>
#include <SD.h>
#include <LiquidCrystal.h>
#include <SoftwareSerial.h>
#include <Wire.h>
#include <EEPROM.h>
#include <RealTimeClockDS1307.h>
#include "ADS1115.h"

#define Display_Clock_Every_N_Seconds 30
#define Display_Clock_Every_N_Minutes 30

#define tombol_1 5
#define tombol_2 6
#define tombol_3 7

#define buzzer 14

#define led_red 15
#define led_green 16
#define led_blue 17

#define data 500
#define mean_data 5

#define max_current 100
#define min_current 40

ADS1115 adc0(0x48);
ADS1115 adc1(0x49);
ADS1115 adc2(0x4A);

const int chipSelect = 53;
int count=0;
char formatted[] = "00-00-00 00:00:00x";
unsigned int datav_min[5];
int datac_min[5];
unsigned int datav_max[5];
int datac_max[5];
unsigned long delta_datav[5];
unsigned long delta_datac[5];
unsigned char status[5];
byte status_isolator[5]={1,1,1,1,1};
unsigned char impedance[5];
double voltage[5];
double current[5];
double
cal_v[5]={65,62.34545454545455,63.12727272727273,63.5,66.94222222222222};
double cal_c[5]={10.6,10.6,10.6,10.6,10.6};
unsigned int dataa, temp, humi, lux, rain;
String readString;
unsigned int x,y,t;
```

```

char tampilan=0;

SoftwareSerial mySerial(13, 3); // RX, TX
// initialize the library with the numbers of the interface pins
LiquidCrystal lcd(8, 9, 10, 11, 12, 2);

void setup() {
  //I2Cdev::begin(); // join I2C bus
  Wire.begin();
  Serial.begin(9600); // initialize serial communication
  Serial1.begin(57600);
  mySerial.begin(9600);
  // set up the LCD's number of columns and rows:
  lcd.begin(16, 2);

  pinMode(tombol_1, INPUT);digitalWrite(tombol_1, HIGH);
  pinMode(tombol_2, INPUT);digitalWrite(tombol_2, HIGH);
  pinMode(tombol_3, INPUT);digitalWrite(tombol_3, HIGH);

  pinMode(buzzer, OUTPUT);digitalWrite(buzzer, HIGH);

  pinMode(led_red, OUTPUT);digitalWrite(led_red, LOW);
  pinMode(led_green, OUTPUT);digitalWrite(led_green, LOW);
  pinMode(led_blue, OUTPUT);digitalWrite(led_blue, LOW);

  Serial.println("Testing device connections...");
  Serial.println(adc0.testConnection() ? "ADS1115 0 connection
successful" : "ADS1115 0 connection failed");
  Serial.println(adc1.testConnection() ? "ADS1115 1 connection
successful" : "ADS1115 1 connection failed");
  Serial.println(adc2.testConnection() ? "ADS1115 2 connection
successful" : "ADS1115 2 connection failed");

  adc0.initialize();
  adc1.initialize();
  adc2.initialize();

  // We're going to do single shot sampling
  adc0.setMode(ADS1115_MODE_SINGLESHOT);
  adc1.setMode(ADS1115_MODE_SINGLESHOT);
  adc2.setMode(ADS1115_MODE_SINGLESHOT);

  // Slow things down so that we can see that the "poll for conversion"
code works
  adc0.setRate(ADS1115_RATE_860);
  adc1.setRate(ADS1115_RATE_860);
  adc2.setRate(ADS1115_RATE_860);

  // Set the gain (PGA) +/- 6.144V
  // Note that any analog input must be higher than -0.3V and less than
VDD +0.3
  adc0.setGain(ADS1115_PGA_4P096);
  adc1.setGain(ADS1115_PGA_4P096);
  adc2.setGain(ADS1115_PGA_4P096);

  // see if the card is present and can be initialized:
  if (!SD.begin(chipSelect)) {
  Serial.println("Card failed, or not present");
  lcd.setCursor(0, 0);
  lcd.print("Card failed,    ");
  lcd.setCursor(0, 1);
  lcd.print("or not present  ");
}
}

```

```

        delay(1000);
        lcd.clear();
        // don't do anything more:
        return;
    }
}
void loop()
{
    //c5-20 c4-12 v4 19720 c3 -10 v3 19950 c2 -3 v2 19990 c1 -3 v1 19940
    //    current_sensor_1();
    //    adc0.setMultiplexer(ADS1115_MUX_P0_NG);Serial.print("Data : ");
    Serial.println(adc0.getConversion(true));
    digitalWrite(led_red, HIGH);
    lcd.setCursor(0,0);
    lcd.print("    Monitoring ");
    lcd.setCursor(0, 1);
    lcd.print("Arus & Tegangan");

    digitalWrite(buzzer, LOW);
    delay(50);
    digitalWrite(buzzer, HIGH);
    delay(150);
    run_all();
}

void run_all()
{
    while(1)
    {
        lcd.clear();
        digitalWrite(led_red, LOW);
        digitalWrite(led_blue, HIGH);
        if(Serial.available())
        {
            processCommand();
        }
        if(digitalRead(tombol_1)==LOW)
        {
            digitalWrite(buzzer, LOW);
            delay(50);
            digitalWrite(buzzer, HIGH);
            delay(150);
            tampilan--;
        }
        if(digitalRead(tombol_3)==LOW)
        {
            digitalWrite(buzzer, LOW);
            delay(50);
            digitalWrite(buzzer, HIGH);
            delay(150);
            tampilan++;
        }
        if(tampilan>7)
        {
            tampilan=0;
        }
        if(tampilan<0)
        {
            tampilan=7;
        }
        RTC.readClock();
        tampilan_lcd(tampilan);
    }
}

```

```

//      Serial1.println("UMAR ALI IMRAN");
      delay(200);
      if(RTC.getSeconds()==0)
      {
          t++;
          Serial.println(t);
      }

      if(t/5==5 || (digitalRead(tombol_1)==LOW &&
digitalRead(tombol_3)==LOW))
      {
          t=0;
          digitalWrite(led_blue, LOW);
          digitalWrite(led_red, HIGH);

          lcd.clear();
          lcd.setCursor(0, 0);
          lcd.print("Status Read Data");
          lcd.setCursor(0, 1);
          lcd.print("-- Loading  --");

          mySerial.println("r");delay(500);
          stasiun_cuaca();
          if(temp==0)
          {
              mySerial.println("r");delay(500);
              stasiun_cuaca();
          }

          Serial.print(temp); Serial.println(" *C, ");
          Serial.print(humi); Serial.println(" H, ");
          Serial.print(lux); Serial.println(" Lux, ");
          Serial.print(rain); Serial.println(" mm/Jam");

//          voltage_sensor_1();
//          voltage_sensor_2();
//          voltage_sensor_3();
//          voltage_sensor_4();
//          voltage_sensor_5();

          current_sensor_1();
          current_sensor_2();
          current_sensor_3();
          current_sensor_4();
          current_sensor_5();

          digitalWrite(led_red, LOW);
          digitalWrite(buzzer, LOW);
          digitalWrite(led_green, HIGH);

def_status(current[0],current[1],current[2],current[3],current[4]);
//      def_status(1,30,35,45,105);
          Serial.print("\n");

save_data(temp,humi,lux,rain,voltage[0]*status_isolator[0],current[0]*stata
tus_isolator[0],statuss[0],voltage[1]*status_isolator[1],current[1]*statu
s_isolator[1],statuss[1],voltage[2]*status_isolator[2],current[2]*status_
isolator[2],statuss[2],voltage[3]*status_isolator[3],current[3]*status_is
olator[3],statuss[3],voltage[4]*status_isolator[4],current[4]*status_isol
ator[4],statuss[4]);

send_data(temp,humi,lux,rain,0,current[0]*status_isolator[0],statuss[0],0

```

```

, current[1]*status_isolator[1], status[1], 0, current[2]*status_isolator[2]
, status[2], 0, current[3]*status_isolator[3], status[3], 0, current[4]*statu
s_isolator[4], status[4]);
//
send_data(temp, humi, lux, rain, 0, 1*status_isolator[0], status[0], 0, 30*statu
s_isolator[1], status[1], 0, 35*status_isolator[2], status[2], 0, 45*status_i
solator[3], status[3], 0, 105*status_isolator[4], status[4]);
    Serial.println("-----
-----");
    digitalWrite(buzzer, HIGH);
    digitalWrite(led_green, LOW);
    //-----
}
}

void tampilan_lcd(unsigned char tampilan_data)
{
    if(digitalRead(tombol_2)==LOW)
    {
        digitalWrite(buzzer, LOW);
        delay(50);
        digitalWrite(buzzer, HIGH);
        delay(150);
        status_isolator[tampilan_data-3]=!status_isolator[tampilan_data-
3];
    }
    switch(tampilan_data)
    {
        case 0:
            lcd.clear();
            lcd.setCursor(2, 0);
            Serial.print("Jam ");
            if(RTC.getHours()<10)
            {
                lcd.print("0");
            }
            lcd.print(RTC.getHours());
            Serial.print(RTC.getHours());
            lcd.print(" : ");
            Serial.print(" : ");
            if(RTC.getMinutes()<10)
            {
                lcd.print("0");
            }
            lcd.print(RTC.getMinutes());
            Serial.print(RTC.getMinutes());
            lcd.print(" : ");
            Serial.print(" : ");
            if(RTC.getSeconds()<10)
            {
                lcd.print("0");
            }
            lcd.print(RTC.getSeconds());
            Serial.print(RTC.getSeconds());
            lcd.setCursor(1, 1);
            Serial.print(" Tanggal ");
            if(RTC.getDate()<10)
            {
                lcd.print("0");
            }
            lcd.print(RTC.getDate());

```

```

Serial.print(RTC.getDate());
lcd.print(" / ");
Serial.print(" / ");
if(RTC.getMonth()<10)
{
    lcd.print("0");
}
lcd.print(RTC.getMonth());
Serial.print(RTC.getMonth());
lcd.print(" / 20");
Serial.print(" / 20");
lcd.print(RTC.getYear());
Serial.print(RTC.getYear());
Serial.println();
break;

case 1:
    lcd.setCursor(0, 0);
    lcd.print("Temp.   Humi.   ");
    lcd.setCursor(0, 1);
    lcd.print(temp);
    lcd.print(" *C");
    lcd.setCursor(8, 1);
    lcd.print(humi);
    lcd.print(" %");
    break;

case 2:
    lcd.setCursor(0, 0);
    lcd.print("Lux   Rain   ");
    lcd.setCursor(0, 1);
    lcd.print(lux);
    lcd.print(" Lux");
    lcd.setCursor(8, 1);
    lcd.print(rain);
    lcd.print(" mm/H");
    break;

case 3:
    lcd.setCursor(0, 0);
    lcd.print("S   Arus_1   ");
    lcd.setCursor(0, 1);
    lcd.print(status_isolator[0]);
    lcd.setCursor(4, 1);
    //    lcd.print(voltage[0]*status_isolator[0]);
    //    lcd.print("V");
    //    lcd.setCursor(9, 1);
    lcd.print(current[0]*status_isolator[0]);
    lcd.print("mA");
    break;

case 4:
    lcd.setCursor(0, 0);
    lcd.print("S   Arus_2   ");
    lcd.setCursor(0, 1);
    lcd.print(status_isolator[1]);
    lcd.setCursor(4, 1);
    //    lcd.print(voltage[1]*status_isolator[1]);
    //    lcd.print("V");
    //    lcd.setCursor(9, 1);
    lcd.print(current[1]*status_isolator[1]);
    lcd.print("mA");

```



```

        break;

    case 5:
        lcd.setCursor(0, 0);
        lcd.print("S    Arus_3    ");
        lcd.setCursor(0, 1);
        lcd.print(status_isolator[2]);
        lcd.setCursor(4, 1);
        //    lcd.print(voltage[2]*status_isolator[2]);
        //    lcd.print("V");
        //    lcd.setCursor(9, 1);
        lcd.print(current[2]*status_isolator[2]);
        lcd.print("mA");
        break;

    case 6:
        lcd.setCursor(0, 0);
        lcd.print("S    Arus_4    ");
        lcd.setCursor(0, 1);
        lcd.print(status_isolator[3]);
        lcd.setCursor(4, 1);
        //    lcd.print(voltage[3]*status_isolator[3]);
        //    lcd.print("V");
        //    lcd.setCursor(9, 1);
        lcd.print(current[3]*status_isolator[3]);
        lcd.print("mA");
        break;

    case 7:
        lcd.setCursor(0, 0);
        lcd.print("S    Arus_5    ");
        lcd.setCursor(0, 1);
        lcd.print(status_isolator[4]);
        lcd.setCursor(4, 1);
        //    lcd.print(voltage[4]*status_isolator[4]);
        //    lcd.print("V");
        //    lcd.setCursor(9, 1);
        lcd.print(current[4]*status_isolator[4]);
        lcd.print("mA");
        break;
    }
}

void stasiun_cuaca()
{
    for(unsigned long l=0;l<100000;l++)
    {
        if (mySerial.available())
        {
            char c = mySerial.read(); //gets one byte from serial buffer

            if (c == ',')
            {
                Serial.println(readString); //prints string to serial
port out

                if(readString.indexOf("data") >=0) {
                    readString=readString.substring(4);
                    Serial.print("data is: ");
                    Serial.println(readString);
                    dataaa = readString.toInt();
                    Serial.println(dataaa);
                }
            }
        }
    }
}

```

```

        Serial.println();
    }
    if(readString.indexOf("temp") >=0) {
        readString=readString.substring(4);
        Serial.print("temp is: ");
        Serial.println(readString);
        temp = readString.toInt();
        Serial.println(temp);
        Serial.println();
    }
    if(readString.indexOf("humi") >=0) {
        readString=readString.substring(4);
        Serial.print("humi is: ");
        Serial.println(readString);
        humi = readString.toInt();
        Serial.println(humi);
        Serial.println();
    }
    if(readString.indexOf("lux") >=0) {
        readString=readString.substring(3);
        Serial.print("lux is: ");
        Serial.println(readString);
        lux = readString.toInt();
        Serial.println(lux);
        Serial.println();
    }
    if(readString.indexOf("rain") >=0) {
        readString=readString.substring(4);
        Serial.print("rain is: ");
        Serial.println(readString);
        rain = readString.toInt();
        rain = rain*0.01358; // mm/jam
        rain = rainn/5; / mm/menit
        Serial.println(rain);
        Serial.println();
    }
    readString=""; //clears variable for new input
}
else
{
    readString += c; //makes the string readString
}
}
}

void current_sensor_1()
{
    delta_datac[0]=0;
    for(x=0;x<mean_data;x++)
    {
        datac_min[0]=-3;
        datac_max[0]=-3;
        for(y=0;y<data;y++)
        {
            adc0.setMultiplexer(ADS1115_MUX_P0_NG);
            adc0.triggerConversion();
            if(adc0.getConversion(true)<datac_min[0])
            {
                datac_min[0]=adc0.getConversion(true);
            }
            if(adc0.getConversion(true)>datac_max[0])

```

```

        {
            datac_max[0]=adc0.getConversion(true);
        }
    }
//
Serial1.print(datac_min[0]);Serial1.print(",");Serial1.print(datac_max[0]
);Serial1.print(",");Serial1.println(datac_max[0]-datac_min[0]);
    delta_datac[0] = delta_datac[0] + (datac_max[0]-datac_min[0]);
}
    delta_datac[0]= delta_datac[0] / mean_data;
    current[0]=(double)delta_datac[0]/cal_c[0];
//    if(current[0]<100)
//    {
//        current[0]=0;
//    } 5235 55943 5727
//    Serial1.println("-----");
//    Serial1.print("Rata-rata I 1 = ");Serial1.println(delta_datac[0]);
//    Serial1.print("Current 1 = ");Serial1.println(current[0],6);
//    Serial1.println("-----");
}

void current_sensor_2()
{
    delta_datac[1]=0;
    for(x=0;x<mean_data;x++)
    {
        datac_min[1]=-3;
        datac_max[1]=-3;
        for(y=0;y<data;y++)
        {
            adc0.setMultiplexer(ADS1115_MUX_P1_NG);
            adc0.triggerConversion();
            if(adc0.getConversion(true)<datac_min[1])
            {
                datac_min[1]=adc0.getConversion(true);
            }
            if(adc0.getConversion(true)>datac_max[1])
            {
                datac_max[1]=adc0.getConversion(true);
            }
        }
    }
//
Serial1.print(datac_min[1]);Serial1.print(",");Serial1.print(datac_max[1]
);Serial1.print(",");Serial1.println(datac_max[1]-datac_min[1]);
    delta_datac[1] = delta_datac[1] + (datac_max[1]-datac_min[1]);
}
    delta_datac[1]= delta_datac[1] / mean_data;
    current[1]=(double)delta_datac[1]/cal_c[1];
//    if(current[1]<100)
//    {
//        current[1]=0;
//    }
//    Serial1.println("-----");
//    Serial1.print("Rata-rata I 2 = ");Serial1.println(delta_datac[1]);
//    Serial1.print("Current 2 = ");Serial1.println(current[1],6);
//    Serial1.println("-----");
}

void current_sensor_3()
{
    delta_datac[2]=0;
    for(x=0;x<mean_data;x++)

```

```

{
  datac_min[2]=-10;
  datac_max[2]=-10;
  for (y=0;y<data;y++)
  {
    adc0.setMultiplexer(ADS1115_MUX_P2_NG);
    adc0.triggerConversion();
    if(adc0.getConversion(true)<datac_min[2])
    {
      datac_min[2]=adc0.getConversion(true);
    }
    if(adc0.getConversion(true)>datac_max[2])
    {
      datac_max[2]=adc0.getConversion(true);
    }
  }
}
//
Serial1.print(datac_min[2]);Serial1.print(",");Serial1.print(datac_max[2]
);Serial1.print(",");Serial1.println(datac_max[2]-datac_min[2]);
  delta_datac[2] = delta_datac[2] + (datac_max[2]-datac_min[2]);
}
  delta_datac[2]= delta_datac[2] / mean_data;
  current[2]=(double)delta_datac[2]/cal_c[2];
//   if(current[2]<100)
//   {
//     current[2]=0;
//   }
//   Serial1.println("-----");
//   Serial1.print("Rata-rata I 3 = ");Serial1.println(delta_datac[2]);
//   Serial1.print("Current 3 = ");Serial1.println(current[2],6);
//   Serial1.println("-----");
}

void current_sensor_4()
{
  delta_datac[3]=0;
  for (x=0;x<mean_data;x++)
  {
    datac_min[3]=-12;
    datac_max[3]=-12;
    for (y=0;y<data;y++)
    {
      adc0.setMultiplexer(ADS1115_MUX_P3_NG);
      adc0.triggerConversion();
      if(adc0.getConversion(true)<datac_min[3])
      {
        datac_min[3]=adc0.getConversion(true);
      }
      if(adc0.getConversion(true)>datac_max[3])
      {
        datac_max[3]=adc0.getConversion(true);
      }
    }
  }
//
Serial1.print(datac_min[3]);Serial1.print(",");Serial1.print(datac_max[3]
);Serial1.print(",");Serial1.println(datac_max[3]-datac_min[3]);
  delta_datac[3] = delta_datac[3] + (datac_max[3]-datac_min[3]);
}
  delta_datac[3]= delta_datac[3] / mean_data;
  current[3]=(double)delta_datac[3]/cal_c[3];
//   if(current[3]<100)
//   {

```

```

//      current[3]=0;
//      }
//      Serial1.println("-----");
//      Serial1.print("Rata-rata I 4 = ");Serial1.println(delta_datac[3]);
//      Serial1.print("Current 4 = ");Serial1.println(current[3],6);
//      Serial1.println("-----");
}

void current_sensor_5()
{
  delta_datac[4]=0;
  for(x=0;x<mean_data;x++)
  {
    datac_min[4]=-20;
    datac_max[4]=-20;
    for(y=0;y<data;y++)
    {
      adc2.setMultiplexer(ADS1115_MUX_P0_NG);
      adc2.triggerConversion();
      if(adc2.getConversion(true)<datac_min[4])
      {
        datac_min[4]=adc2.getConversion(true);
      }
      if(adc2.getConversion(true)>datac_max[4])
      {
        datac_max[4]=adc2.getConversion(true);
      }
    }
  }
  //
  Serial1.print(datac_min[4]);Serial1.print(",");Serial1.print(datac_max[4]
);Serial1.print(",");Serial1.println(datac_max[4]-datac_min[4]);
  delta_datac[4] = delta_datac[4] + (datac_max[4]-datac_min[4]);
}
  delta_datac[4]= delta_datac[4] / mean_data;
  current[4]=(double)delta_datac[4]/cal_c[4];
  //      if(current[4]<100)
  //      {
  //          current[4]=0;
  //      }
  //      Serial1.println("-----");
  //      Serial1.print("Rata-rata I 5 = ");Serial1.println(delta_datac[4]);
  //      Serial1.print("Current 5 = ");Serial1.println(current[4],6);
  //      Serial1.println("-----");
}

void processCommand() {
  if(!Serial.available()) { return; }
  char command = Serial.read();
  int in,in2;
  switch(command)
  {
    case 'H':
    case 'h':
      in=SerialReadPosInt();
      RTC.setHours(in);
      RTC.setClock();
      Serial.print("Setting hours to ");
      Serial.println(in);
      break;
    case 'I':
    case 'i':
      in=SerialReadPosInt();

```

```

RTC.setMinutes(in);
RTC.setClock();
Serial.print("Setting minutes to ");
Serial.println(in);
break;
case 'S':
case 's':
in=SerialReadPosInt();
RTC.setSeconds(in);
RTC.setClock();
Serial.print("Setting seconds to ");
Serial.println(in);
break;
case 'Y':
case 'y':
in=SerialReadPosInt();
RTC.setYear(in);
RTC.setClock();
Serial.print("Setting year to ");
Serial.println(in);
break;
case 'M':
case 'm':
in=SerialReadPosInt();
RTC.setMonth(in);
RTC.setClock();
Serial.print("Setting month to ");
Serial.println(in);
break;
case 'D':
case 'd':
in=SerialReadPosInt();
RTC.setDate(in);
RTC.setClock();
Serial.print("Setting date to ");
Serial.println(in);
break;
case 'W':
Serial.print("Day of week is ");
Serial.println((int) RTC.getDayOfWeek());
break;
case 'w':
in=SerialReadPosInt();
RTC.setDayOfWeek(in);
RTC.setClock();
Serial.print("Setting day of week to ");
Serial.println(in);
break;

case 't':
case 'T':
if(RTC.is12hour()) {
    RTC.switchTo24h();
    Serial.println("Switching to 24-hour clock.");
} else {
    RTC.switchTo12h();
    Serial.println("Switching to 12-hour clock.");
}
RTC.setClock();
break;

case 'A':

```

```

case 'a':
if(RTC.is12hour()) {
    RTC.setAM();
    RTC.setClock();
    Serial.println("Set AM.");
} else {
    Serial.println("(Set hours only in 24-hour mode.)");
}
break;

case 'P':
case 'p':
if(RTC.is12hour()) {
    RTC.setPM();
    RTC.setClock();
    Serial.println("Set PM.");
} else {
    Serial.println("(Set hours only in 24-hour mode.)");
}
break;

case 'q':
RTC.sqwEnable(RTC.SQW_1Hz);
Serial.println("Square wave output set to 1Hz");
break;
case 'Q':
RTC.sqwDisable(0);
Serial.println("Square wave output disabled (low)");
break;

case 'z':
RTC.start();
Serial.println("Clock oscillator started.");
break;
case 'Z':
RTC.stop();
Serial.println("Clock oscillator stopped.");
break;

case '>':
in=SerialReadPosInt();
in2=SerialReadPosInt();
RTC.writeData(in, in2);
Serial.print("Write to register ");
Serial.print(in);
Serial.print(" the value ");
Serial.println(in2);
break;
case '<':
in=SerialReadPosInt();
in2=RTC.readData(in);
Serial.print("Read from register ");
Serial.print(in);
Serial.print(" the value ");
Serial.println(in2);
break;

default:
Serial.println("Unknown command. Try these:");
Serial.println(" h## - set Hours          d## - set Date");
Serial.println(" i## - set mInutes         m## - set Month");
Serial.println(" s## - set Seconds        y## - set Year");

```

```

Serial.println(" w## - set arbitrary day of Week");
Serial.println(" t   - toggle 24-hour mode");
Serial.println(" a   - set AM           p   - set PM");
Serial.println();
Serial.println(" z   - start clock     Z   - stop clock");
Serial.println(" q   - SQW/OUT = 1Hz     Q   - stop SQW/OUT");
Serial.println();
Serial.println(" >##,### - write to register ## the value ###");
Serial.println(" <##       - read the value in register ##");

} //switch on command

}

//read in numeric characters until something else
//or no more data is available on serial.
int SerialReadPosInt() {
    int i = 0;
    boolean done=false;
    while(Serial.available() && !done)
    {
        char c = Serial.read();
        if (c >= '0' && c <='9')
        {
            i = i * 10 + (c-'0');
        }
        else
        {
            done = true;
        }
    }
    return i;
}

void def_status(double i1, double i2, double i3, double i4, double i5)
{
//    impedance[0]= 20000/i1; // arus masukan satuan mA
    if(i1<min_current || i1==0)
    {
        status[0]=0;
    }
    else if(i1>min_current && i1<max_current)
    {
        status[0]=1;
    }
    else
    {
        status[0]=2;
    }

//    impedance[1]= 20000/i2;
    if(i2<min_current|| i2==0)
    {
        status[1]=0;
    }
    else if(i2>min_current && i2<max_current)
    {
        status[1]=1;
    }
    else
    {
        status[1]=2;
    }
}

```



```

    }

// impedance[2]= 20000/i3; // 0,01
if(i3<min_current|| i3==0)
{
    status[2]=0;
}
else if(i3>min_current && i3<max_current)
{
    status[2]=1;
}
else
{
    status[2]=2;
}

// impedance[3]= 20000/i4;
if(i4<min_current|| i4==0)
{
    status[3]=0;
}
else if(i4>min_current && i4<max_current)
{
    status[3]=1;
}
else
{
    status[3]=2;
}

// impedance[4]= 20000/i5;
if(i5<min_current|| i5==0)
{
    status[4]=0;
}
else if(i5>min_current && i5<max_current)
{
    status[4]=1;
}
else
{
    status[4]=2;
}
}

void save_data(double temp, double humi, double lux, double rain, double
v1, double i1, unsigned char s1, double v2, double i2, unsigned char s2,
double v3, double i3, unsigned char s3, double v4, double i4, unsigned
char s4, double v5, double i5, unsigned char s5)
{
    // make a string for assembling the data to log:
    String dataString = "";
    dataString += String(RTC.getDate());
    dataString += "/";
    dataString += String(RTC.getMonth());
    dataString += "/20";
    dataString += String(RTC.getYear());
    dataString += " ";

    dataString += String(RTC.getHours());
    dataString += ":";
    dataString += String(RTC.getMinutes());

```

```

dataString += ":";
dataString += String(RTC.getSeconds());
dataString += " ";

dataString += String(temp);
dataString += " ";
dataString += String(humi);
dataString += " ";
dataString += String(lux);
dataString += " ";
dataString += String(rain);
dataString += " ";

//   dataString += String(v1);
//   dataString += " ";
dataString += String(i1);
dataString += " ";
dataString += String(s1);
dataString += " ";

//   dataString += String(v2);
//   dataString += " ";
dataString += String(i2);
dataString += " ";
dataString += String(s2);
dataString += " ";

//   dataString += String(v3);
//   dataString += " ";
dataString += String(i3);
dataString += " ";
dataString += String(s3);
dataString += " ";

//   dataString += String(v4);
//   dataString += " ";
dataString += String(i4);
dataString += " ";
dataString += String(s4);
dataString += " ";

//   dataString += String(v5);
//   dataString += " ";
dataString += String(i5);
dataString += " ";
dataString += String(s5);

// open the file. note that only one file can be open at a time,
// so you have to close this one before opening another.
File dataFile = SD.open("datalog.txt", FILE_WRITE);

// if the file is available, write to it:
if (dataFile)
{
  dataFile.println(dataString);
  dataFile.close();
  // print to the serial port too:
  Serial.println(dataString);
}
// if the file isn't open, pop up an error:
else
{

```

```

        Serial.println("error opening datalog.txt");
        lcd.setCursor(0, 1);
        lcd.print("--SDCard Error--");
    }
}

void send_data(unsigned int temp, unsigned int humi, unsigned int lux,
unsigned int rain, unsigned int v1, unsigned int i1, unsigned char s1,
unsigned int v2, unsigned int i2, unsigned char s2, unsigned int v3,
unsigned int i3, unsigned char s3, unsigned int v4, unsigned int i4,
unsigned char s4, unsigned int v5, unsigned int i5, unsigned char s5)
{
    Serial1.print(temp);
    Serial1.print(",");
    Serial1.print(humi);
    Serial1.print(",");
    Serial1.print(lux);
    Serial1.print(",");
    Serial1.print(rain);
    Serial1.print(",");
    Serial1.print(v1);
    Serial1.print(",");
    Serial1.print(i1);
    Serial1.print(",");
    Serial1.print(s1);
    Serial1.print(",");
    Serial1.print(v2);
    Serial1.print(",");
    Serial1.print(i2);
    Serial1.print(",");
    Serial1.print(s2);
    Serial1.print(",");
    Serial1.print(v3);
    Serial1.print(",");
    Serial1.print(i3);
    Serial1.print(",");
    Serial1.print(s3);
    Serial1.print(",");
    Serial1.print(v4);
    Serial1.print(",");
    Serial1.print(i4);
    Serial1.print(",");
    Serial1.print(s4);
    Serial1.print(",");
    Serial1.print(v5);
    Serial1.print(",");
    Serial1.print(i5);
    Serial1.print(",");
    Serial1.println(s5);
}

float mapfloat(float x, float in_min, float in_max, float out_min, float
out_max)
{
    return (x - in_min) * (out_max - out_min) / (in_max - in_min) + out_min;
}

```

Lampiran 3
Data Monitoring

DATA MONITORING ARUS BOCOR ISOLATOR										
Date	Time (Hour)	Temp. (°C)	Humidity (%)	UV mW/cm2	Rainfall mm/H	Type Insulators				
						Type A	Type B	Type C	Type D	Type E
31/10/19	0.11.00	28	89	0	0	0,85	0,94	1,6	1,6	1,32
	0.46.00	27	88	0	0	0,85	0,94	1,51	1,89	2,17
	1.22.00	27	86	0	0	0,84	1,13	1,13	1,98	0,75
	1.57.00	27	87	0	0	0,83	1,04	1,13	1,98	0,57
	2.33.00	27	87	0	0	0,82	1,04	1,23	1,7	1,04
	3.08.00	26	88	0	0	0,75	0,94	1,23	1,89	1,32
	3.43.00	26	90	0	0	0,75	0,94	1,04	1,89	1,32
	4.19.00	26	91	0	0	0,57	1,32	1,23	1,6	1,7
	4.54.00	25	95	0	0	0,57	0,94	1,52	1,89	2,36
	5.29.00	26	93	0	0	0,65	0,94	1,6	1,89	1,32
	6.04.00	26	93	0	0	0,75	0,94	1,52	1,13	1,13
	6.38.00	25	89	0,19034	0	0,64	0,94	1,51	1,79	0,75
	7.12.42	27	84	0,45769	0	0,66	1,04	1,04	1,51	1,32
	8.22.00	31	68	2,50454	0	0,94	1,04	1,13	1,23	1,51
	8.56.00	31	68	2,50454	0	0,85	1,04	1,04	1,6	1,7
	9.31.00	37	49	3,63587	0	0,85	1,13	0,75	1,23	1,7
	10.06.00	38	44	6,0937	0	0,94	1,04	0,47	1,79	1,23
	10.41.00	38	43	7,64363	0	1,02	1,13	0,66	1,51	1,23
	11.17.00	40	39	7,9959	0	1,04	1,23	0,94	1,6	1,7
	11.52.00	37	47	7,9959	0	0,94	1,04	1,51	1,7	1,42
	12.27.00	37	50	7,9959	0	0,85	0,94	1,51	1,42	2,26
	13.02.00	37	50	7,9959	0	0,85	1,13	1,32	1,7	1,13
	13.36.00	38	49	7,9959	0	1,02	1,13	0,94	1,89	2,17
	14.10.00	38	49	7,9959	0	1,02	0,94	1,89	1,79	1,6
	14.45.00	39	49	7,9959	0	1,04	1,04	1,42	1,79	1,51
	15.20.00	39	49	7,9959	0	1,02	1,23	1,23	1,7	1,42
	15.56.00	38	50	2,53148	0	1,02	1,04	0,85	1,98	2,36
	16.31.00	33	62	0,64758	0	0,94	1,23	1,51	1,98	0,94
	16.43.47	33	62	0,64758	0	1,04	1,04	1,13	1,7	1,89
	17.18.00	34	58	0,53821	0	1,04	1,23	1,42	1,89	2,26
	17.54.00	33	65	0,3142	0	0,94	0,94	1,42	1,51	2,17
	18.29.00	33	65	0,3142	0	0,92	0,94	1,13	1,6	0,75
19.05.00	30	77	0	0	0,84	1,13	1,32	1,98	0,75	
19.39.00	30	77	0	0	0,84	1,13	1,23	1,98	2,08	
20.13.00	30	79	0	0	0,75	1,13	1,42	1,6	1,13	
20.47.00	30	80	0	0	0,85	1,04	1,79	1,98	2,17	
21.22.00	30	82	0	0	0,57	1,13	1,32	1,98	1,51	
21.57.00	30	82	0	0	0,94	1,04	1,04	1,98	0,94	
22.31.00	29	84	0	0	0,94	1,04	1,6	1,98	1,89	

DATA MONITORING ARUS BOCOR ISOLATOR										
Date	Time (Hour)	Temp. (°C)	Humidity (%)	UV mW/cm2	Rainfall mm/H	Type Insulators				
						Type A	Type B	Type C	Type D	Type E
	23.06.00	29	87	0	0	0,85	0,94	1,42	1,89	1,51
	23.40.00	29	90	0	0	0,94	0,94	1,13	1,51	1,98
01/11/19	0.15.00	29	90	0	0	0,66	1,04	1,23	1,7	1,32
	0.50.00	28	92	0	0	0,75	1,13	1,79	1,7	1,79
	1.23.00	28	92	0	0	0,75	1,04	1,13	1,89	0,66
	1.58.00	27	94	0	0	0,86	0,94	1,13	1,98	1,42
	2.33.00	27	94	0	0	0,94	0,94	1,32	1,98	1,98
	3.07.00	28	90	0	0	0,85	1,23	1,42	1,6	1,23
	3.42.00	28	90	0	0	0,75	1,23	1,23	1,98	1,04
	4.15.00	27	86	0	0	0,85	1,13	1,32	1,7	1,79
	4.49.00	27	89	0	0	0,75	1,23	1,42	1,98	1,79
	5.24.00	27	89	0	0	0,85	1,04	0,75	1,7	1,7
	5.59.00	27	94	0	0	0,94	1,13	0,85	1,42	1,51
	6.35.00	27	94	0	0	0,66	1,04	1,23	1,79	1,23
	7.09.00	28	86	0,46398	0	0,75	1,13	0,94	1,79	1,42
	7.44.00	29	82	0,71537	0	0,94	1,04	0,94	1,6	1,32
	8.22.00	29	82	0,71537	0	0,75	1,13	1,32	1,79	1,42
	8.58.00	32	72	2,65637	0	1,04	1,13	0,75	1,98	1,6
	8.58.00	32	72	2,65637	0	1,04	1,13	0,75	1,98	1,6
	9.34.00	38	49	6,07701	0	0,94	1,04	1,32	1,89	1,32
	9.34.00	38	49	6,07701	0	0,94	1,04	1,32	1,89	1,32
	10.10.00	38	49	6,07701	0	1,04	1,13	0,94	1,6	2,17
	10.45.00	42	37	7,9959	0	1,12	1,13	0,94	1,51	1,42
	11.20.00	37	50	7,9959	0	1,04	1,04	1,51	1,89	1,23
	11.55.00	38	53	3,3284	0	1,12	1,13	1,13	1,98	1,04
	12.30.00	36	60	7,9959	0	1,13	1,04	1,13	1,89	2,55
	13.05.00	38	52	7,9959	0	1,12	1,04	1,32	1,89	1,32
	13.40.00	37	53	7,9959	0	0,94	1,04	1,42	1,89	1,42
	14.15.00	39	49	7,9959	0	1,04	1,04	1,13	1,79	1,6
	14.50.00	34	62	1,41288	1	0,75	1,04	1,42	1,98	2,36
	15.24.00	34	62	1,41288	1	0,85	0,94	1,51	1,7	1,32
	15.59.00	33	71	1,34641	0	1,13	0,94	1,51	1,42	2,08
	16.33.00	30	86	0,20146	0	1,04	1,13	1,13	1,7	1,51
	17.08.00	30	86	0,20146	0	0,66	1,23	1,51	1,89	1,42
	17.43.00	30	84	0,16486	0	0,75	1,13	1,7	1,89	0,85
	18.17.00	30	85	0,08536	0	0,94	1,23	1,79	1,89	1,98
	18.52.00	30	85	0,08536	0	0,85	0,94	1,7	1,89	1,6
	19.28.00	28	93	0	0	0,94	1,04	1,13	1,98	2,17
	20.03.00	28	89	0	0	0,94	1,04	1,32	1,6	1,23
	20.37.00	28	89	0	0	0,85	1,04	1,6	1,7	1,51

DATA MONITORING ARUS BOCOR ISOLATOR										
Date	Time (Hour)	Temp. (°C)	Humidity (%)	UV mW/cm2	Rainfall mm/H	Type Insulators				
						Type A	Type B	Type C	Type D	Type E
	21.12.00	28	90	0	0	0,57	0,94	1,6	1,7	1,04
	21.47.00	28	91	0	0	0,85	1,04	1,23	1,98	1,7
	22.22.00	28	95	0	0	0,75	1,04	1,6	1,89	2,45
	22.57.00	27	95	0	0	0,85	1,04	1,04	1,42	1,79
	23.32.00	27	95	0	0	0,75	0,94	1,32	1,42	1,13
02/11/19	0.07.00	27	95	0	0	0,94	1,04	1,7	1,98	1,13
	0.42.00	27	95	0	0	0,85	0,94	1,51	1,51	2,08
	1.17.00	27	95	0	0	0,47	1,04	1,23	1,6	1,23
	1.51.00	26	95	0	0	0,94	1,32	1,32	1,79	1,32
	2.26.00	26	95	0	0	0,85	1,13	1,13	1,6	1,42
	3.01.00	26	95	0	0	0,85	1,23	1,51	1,79	1,42
	3.36.00	26	95	0	0	1,04	1,04	1,6	1,6	1,13
	4.12.00	26	95	0	0	0,47	1,13	0,85	1,42	2,08
	4.46.00	26	95	0	0	0,57	1,13	0,85	1,79	0,85
	5.20.00	26	95	0	0	0,47	1,13	0,75	1,98	1,79
	5.55.00	25	95	0	0	0,75	1,13	1,7	1,42	0,85
	6.31.00	26	95	0,13748	0	0,57	1,23	1,7	1,89	0,47
	7.06.00	26	95	0,13748	0	0,66	0,94	1,23	1,89	1,79
	7.41.00	28	86	0,59341	0	0,66	1,04	0,66	1,6	0,85
	8.17.00	28	86	0,59341	0	0,47	1,04	1,23	1,51	1,32
	8.52.00	36	56	2,97804	0	0,66	1,13	1,23	1,6	1,13
	9.29.00	36	58	4,57818	0	0,66	0,94	1,23	1,79	1,32
	10.05.00	36	56	2,29663	0	0,66	1,04	0,75	1,7	1,04
	10.40.00	38	49	7,9959	0	0,85	1,04	1,51	1,89	2,17
	11.16.00	38	49	7,9959	0	0,75	1,04	0,85	1,89	1,79
	11.51.00	39	47	2,70278	0	0,85	1,04	1,32	1,89	1,89
	12.26.00	39	49	7,9959	0	0,85	1,13	1,23	1,51	0,94
	13.01.00	38	53	7,9959	0	1,04	1,13	1,51	1,7	1,7
	13.36.00	38	53	7,9959	0	0,85	1,13	1,23	1,7	1,6
	13.42.36	36	61	0,55681	0	3,87	1,32	1,32	1,98	2,08
	14.17.00	28	95	1,52416	0	0,94	1,04	1,23	1,98	1,89
	14.51.00	33	78	3,3123	0	0,75	1,13	0,57	1,98	1,51
	15.25.00	33	67	1,15857	0	1,04	1,23	1,32	1,89	0,85
	16.00.00	33	67	1,15857	0	0,85	1,04	1,13	1,89	0,38
	16.36.00	32	69	0,79253	0	1,04	1,13	0,75	1,51	1,04
	17.11.00	31	71	0,57672	0	0,94	1,23	0,75	1,79	1,7
	17.46.00	30	81	0,06676	0	1,04	1,32	1,32	1,7	1,7
18.21.00	30	81	0,06676	0	1,04	1,32	1,7	1,79	1,79	
18.56.00	30	83	0,03265	0	0,94	1,13	1,42	1,79	1,04	
19.32.00	29	93	0	0	0,85	1,04	1,42	1,6	0,66	

DATA MONITORING ARUS BOCOR ISOLATOR										
Date	Time (Hour)	Temp. (°C)	Humidity (%)	UV mW/cm2	Rainfall mm/H	Type Insulators				
						Type A	Type B	Type C	Type D	Type E
	20.07.00	28	95	0	0	1,04	1,13	0,94	1,79	1,04
	20.42.00	28	95	0	0	0,66	1,32	1,51	1,89	1,79
	21.18.00	28	95	0	0	0,94	1,23	1,32	1,7	0,47
	21.52.00	28	95	0	0	0,85	1,13	1,42	1,7	0,85
	22.27.00	28	95	0	0	1,04	0,94	0,94	1,89	1,42
	23.02.00	28	95	0	0	0,85	1,04	1,23	1,89	1,04
	23.37.00	27	95	0	0	0,85	1,04	1,04	1,79	1,23
03/11/19	0.11.00	27	95	0	0	0,94	1,13	1,6	1,42	1,32
	0.46.00	27	95	0	0	1,04	1,23	0,94	1,7	1,6
	1.21.00	27	95	0	0	0,75	1,04	1,7	1,89	1,51
	2.15.00	26	95	0	0	0,85	0,94	1,32	1,79	1,98
	2.50.00	26	95	0	0	0,75	1,13	1,51	1,89	1,51
	3.24.00	26	95	0	0	0,85	1,23	0,85	1,6	0,75
	3.59.00	26	95	0	0	0,94	1,04	1,23	1,89	1,79
	4.32.00	26	95	0	0	0,75	1,13	1,7	1,89	1,7
	5.07.00	25	95	0	0	0,85	1,04	1,04	1,89	0,38
	5.42.00	25	95	0	0	0,75	1,23	1,04	1,89	1,79
	6.15.00	25	95	0,0243	0	0,57	1,13	1,32	1,89	0,28
	6.50.00	25	95	0,0243	0	0,66	0,94	0,85	1,6	1,04
	7.25.00	28	95	0,57877	0	0,85	1,13	0,28	1,89	1,13
	8.00.00	28	95	0,57877	0	0,85	1,23	1,23	1,98	1,42
	8.36.00	33	69	2,74861	0	0,66	1,04	1,51	1,98	1,89
	9.11.00	36	58	4,40249	0	0,57	1,04	1,42	1,89	1,04
	9.46.00	39	47	6,34305	0	0,57	1,13	0,94	1,98	0,75
	10.20.00	39	44	7,9959	0	0,57	1,13	1,32	1,98	1,32
	10.55.00	40	41	7,9959	0	0,47	1,04	1,23	1,79	1,89
	11.29.00	40	41	7,9959	0	0,85	0,94	1,51	1,89	0,94
	12.04.00	39	41	7,9959	0	0,75	1,13	1,23	1,79	1,32
	12.39.00	40	37	7,9959	0	1,04	1,04	1,6	1,89	1,23
	13.14.00	40	37	7,9959	0	0,85	0,94	1,32	1,6	0,85
	13.49.00	40	49	7,9959	0	0,94	1,13	0,75	1,89	1,79
	14.24.00	39	48	7,9959	0	0,85	1,04	1,6	1,98	1,98
	14.59.00	39	54	7,9959	0	0,85	1,13	1,32	1,98	1,89
	15.34.00	39	53	7,9959	0	0,85	1,13	1,04	1,89	1,32
	16.10.00	39	53	7,9959	0	0,75	1,04	1,42	1,98	1,79
	16.45.00	38	54	4,99561	0	0,66	1,13	0,94	1,98	1,6
	17.19.00	36	61	2,63148	0	1,04	1,04	1,42	1,98	2,08
	17.54.00	34	68	1,16237	0	0,57	1,04	1,23	1,98	2,17
	18.28.00	34	68	1,16237	0	0,75	1,13	1,6	1,98	1,42
	19.03.00	32	76	0,15373	0	0,66	1,13	1,42	1,98	1,32

DATA MONITORING ARUS BOCOR ISOLATOR										
Date	Time (Hour)	Temp. (°C)	Humidity (%)	UV mW/cm2	Rainfall mm/H	Type Insulators				
						Type A	Type B	Type C	Type D	Type E
	19.37.00	31	82	0	0	0,75	1,13	1,79	1,79	1,98
	20.11.00	32	77	0	0	0,94	1,13	1,42	1,98	1,51
	20.46.00	31	80	0	0	0,85	1,04	1,42	1,89	0,94
	21.21.00	31	80	0	0	0,85	1,04	1,42	1,89	1,42
	21.56.00	31	83	0	0	0,85	1,13	1,42	1,98	1,7
	22.31.00	30	85	0	0	0,75	1,04	1,79	1,98	2,26
	23.06.00	30	92	0	0	0,47	0,94	1,23	1,98	1,42
	23.41.00	30	92	0	0	0,75	1,04	1,6	1,98	1,89
04/11/19	0.15.00	29	94	0	0	0,57	0,94	1,6	1,89	0,94
	0.50.00	29	95	0	0	0,75	1,13	1,13	1,98	2,36
	1.25.00	29	95	0	0	0,75	1,13	1,23	1,79	1,6
	1.59.00	28	95	0	0	0,66	1,04	1,6	1,89	1,32
	2.35.00	28	95	0	0	0,94	1,04	1,23	1,98	1,32
	3.10.00	28	95	0	0	0,94	1,04	1,7	1,98	0,94
	3.44.00	28	95	0	0	0,75	1,04	1,51	1,98	1,7
	4.22.00	27	95	0	0	1,04	0,94	1,79	1,79	1,7
	4.57.00	27	95	0	0	0,75	0,94	0,94	1,89	1,42
	5.31.00	27	95	0	0	0,94	1,04	1,13	1,98	1,42
	6.06.00	27	95	0,0019	0	0,94	1,04	1,13	1,6	1,32
	6.40.00	27	95	0,0019	0	0,85	1,23	1,32	1,89	1,04
	7.14.00	28	95	0,42694	0	0,75	1,04	1,23	1,79	2,55
	7.49.00	29	92	0,78814	0	0,75	1,13	1,79	1,98	1,42
	8.26.00	29	92	0,78814	0	0,85	1,04	1,42	1,79	1,7
	9.01.00	34	67	3,39971	0	0,85	1,13	1,51	1,89	1,79
	9.28.04	37	56	5,67057	0	0,85	1,23	1,13	1,7	0,47
	9.33.33	37	57	5,21567	0	0,85	1,32	1,32	1,98	1,89
	10.07.00	37	57	5,21567	0	1,04	0,94	1,23	1,98	0,66
	10.41.00	39	47	6,90425	0	0,75	0,94	1,04	1,51	1,42
	11.15.00	44	32	7,9959	0	0,85	1,04	0,66	1,7	0,85
	11.50.00	42	36	7,9959	0	0,75	1,13	1,7	2,08	1,51
	12.25.00	40	43	7,9959	0	0,94	1,23	1,89	1,98	1,32
	13.00.00	38	57	7,9959	0	1,04	1,23	1,32	1,98	1,23
	13.35.00	38	57	7,9959	0	1,04	1,23	1,42	1,98	1,89
	14.10.00	37	59	3,16691	0	0,75	1,23	1,51	1,98	1,6
	14.44.00	39	51	7,9959	0	0,94	1,23	0,75	1,98	1,79
	15.18.00	41	50	7,9959	0	1,04	0,94	1,42	1,89	1,23
	15.53.00	37	58	3,34993	0	0,66	1,04	1,13	1,89	0,66
	16.28.00	35	67	1,45681	0	0,85	1,13	1,51	1,98	1,32
	17.03.00	35	67	1,45681	0	0,66	1,04	1,23	1,89	0,75
	17.38.00	34	72	1,74568	0	0,66	1,13	0,94	1,98	1,89

DATA MONITORING ARUS BOCOR ISOLATOR										
Date	Time (Hour)	Temp. (°C)	Humidity (%)	UV mW/cm2	Rainfall mm/H	Type Insulators				
						Type A	Type B	Type C	Type D	Type E
	18.13.00	33	72	0,11259	0	0,94	1,04	1,32	1,98	2,36
	18.48.00	31	75	0,11215	0	0,75	1,04	1,23	1,98	1,42
	19.22.00	31	85	0	0	0,85	1,04	1,6	1,79	0,94
	19.57.00	31	85	0	0	0,85	1,13	1,04	1,89	1,98
	20.31.00	29	89	0	0	0,94	0,94	1,13	1,98	1,04
	21.06.00	29	89	0	0	0,94	1,13	1,23	1,98	2,45
	21.41.00	28	90	0	0	0,85	0,94	1,6	1,98	1,6
	22.16.00	29	92	0	0	1,04	1,13	1,6	1,98	0,94
	22.51.00	28	93	0	0	0,94	1,04	1,51	1,98	1,98
	23.26.00	28	95	0	0	0,75	1,04	1,6	1,98	0,57
05/11/19	0.01.00	28	90	0	0	1,23	1,04	1,32	1,79	1,6
	0.36.00	28	90	0	0	0,75	1,04	0,85	1,98	1,51
	1.12.00	28	92	0	0	0,94	1,04	1,6	1,98	1,89
	1.46.00	28	92	0	0	1,04	1,23	1,32	1,79	1,04
	2.19.00	27	92	0	0	1,04	1,23	0,94	1,79	1,89
	2.54.00	27	93	0	0	1,04	1,04	1,51	1,98	1,04
	3.30.00	27	94	0	0	0,85	1,04	0,66	1,7	1,6
	4.04.00	27	94	0	0	0,85	0,94	0,66	1,89	0,94
	4.39.00	26	95	0	0	0,94	1,04	1,13	1,89	0,75
	5.12.00	26	95	0	0	0,94	1,13	0,85	1,42	1,04
	5.48.00	26	92	0	0	1,13	1,04	1,04	1,79	0,94
	6.21.00	27	92	0,05564	0	1,04	1,13	1,04	1,79	1,89
	6.56.00	28	90	0,35578	0	0,75	1,04	1,6	1,89	1,89
	7.31.00	28	90	0,35578	0	0,85	1,04	1,32	1,42	2,55
	8.06.00	31	84	0,75447	0	0,94	0,94	1,04	1,89	1,42
	8.41.00	31	84	0,75447	0	1,13	1,32	1,23	1,89	1,42
	9.14.00	35	65	2,51142	0	0,85	0,94	1,7	1,79	0,66
	9.49.00	39	49	6,42753	0	0,66	1,13	1,13	1,79	1,79
	10.25.00	39	49	6,42753	0	0,85	1,04	1,23	1,6	1,7
	10.59.00	41	43	7,9959	0	1,04	1,23	1,13	1,79	1,13
	11.34.00	40	35	7,9959	0	0,85	1,13	1,13	1,6	0,94
	12.09.00	40	37	7,9959	0	1,13	1,13	0,94	1,32	1,04
	12.44.00	38	52	7,9959	0	0,75	1,23	1,79	1,89	2,26
	13.18.00	39	53	7,9959	0	0,85	1,13	1,6	1,98	1,42
	13.53.00	36	62	1,19854	0	1,13	1,13	1,51	1,98	1,04
	14.28.00	40	52	7,9959	0	0,85	1,23	1,32	1,98	1,32
	15.03.00	40	52	7,9959	0	0,47	1,04	1,04	1,98	1,98
	15.38.00	38	57	7,9959	0	0,94	0,94	1,13	1,98	1,51
	16.12.00	38	57	7,9959	0	0,85	1,13	1,32	1,98	1,51
	17.09.05	24	95	0,22679	0	0,94	1,13	0,47	1,6	1,89

DATA MONITORING ARUS BOCOR ISOLATOR										
Date	Time (Hour)	Temp. (°C)	Humidity (%)	UV mW/cm2	Rainfall mm/H	Type Insulators				
						Type A	Type B	Type C	Type D	Type E
	17.16.10	25	95	0,20059	0	0,94	1,04	1,13	1,89	1,51
	17.51.00	26	95	0,23119	0	0,94	1,13	1,23	33,4	0,85
	18.27.00	27	95	0,11947	2	0,94	1,23	0,94	0,75	1,7
	19.02.00	27	95	0	0	0,94	1,04	0,94	0,94	2,08
	19.37.00	27	95	0	0	0,85	1,04	0,57	1,13	0,94
	20.11.00	27	95	0	0	0,94	1,23	0,66	1,04	1,23
	20.46.00	27	95	0	0	0,66	1,13	0,85	0,94	1,32
	21.20.00	27	95	0	0	0,75	1,13	1,13	0,85	1,6
	21.55.00	27	95	0	0	0,75	1,13	1,13	1,04	1,04
	22.31.00	27	95	0	0	0,75	1,13	0,85	0,94	1,7
	23.06.00	27	95	0	0	0,75	1,23	0,66	1,13	1,04
	23.41.00	27	95	0	0	1,04	1,32	0,57	0,94	1,42
06/11/19	0.16.00	26	95	0	0	0,94	1,32	0,85	0,66	1,7
	0.52.00	26	95	0	0	0,85	1,04	1,32	0,75	1,42
	1.28.00	26	94	0	0	0,66	0,94	0,57	0,66	0,57
	2.03.00	26	94	0	0	0,94	1,23	0,85	0,85	1,89
	2.38.00	26	93	0	0	0,57	1,23	1,13	1,23	1,32
	3.14.00	26	94	0	0	0,94	1,23	1,42	0,66	1,89
	3.49.00	26	93	0	0	0,75	1,23	0,94	0,66	1,6
	4.22.00	25	92	0	0	0,75	1,13	0,75	1,32	1,42
	4.57.00	25	90	0	0	0,57	1,23	1,32	1,51	2,08
	5.30.00	25	90	0	0	0,47	1,13	0,57	1,42	1,32
	6.04.00	26	89	0,00146	0	0,85	1,13	1,6	1,79	0,94
	6.38.00	26	89	0,00146	0	1,13	1,13	0,66	1,42	1,98
	7.13.00	27	85	0,49722	0	0,57	1,13	0,94	1,7	1,32
	7.48.00	28	85	0,6202	0	0,66	1,13	0,85	1,42	1,98
	8.24.00	30	84	2,62372	0	0,66	1,13	0,85	1,89	0,38
	8.59.00	30	84	2,62372	0	0,85	1,04	1,32	1,7	1,51
	9.34.00	39	49	5,74085	0	0,75	1,04	1,13	1,79	1,04
	10.08.00	36	54	7,9959	2	0,94	1,23	0,85	1,51	1,6
	10.42.00	36	54	7,9959	2	0,75	1,04	0,57	1,7	1,79
	11.14.55	38	40	7,9959	0	0,94	1,23	0,57	1,6	0,85
	11.50.00	44	35	7,9959	7	0,85	1,04	1,98	2,08	2,17
	12.26.00	38	53	7,9959	2	0,75	1,23	1,98	2,17	0,57
	13.02.00	39	54	7,9959	0	0,94	1,13	1,98	2,17	2,26
	13.38.00	39	54	7,9959	0	1,04	1,04	1,89	2,17	1,32
	14.14.00	39	54	7,9959	0	0,85	1,04	1,89	2,17	1,13
	14.50.00	39	54	7,9959	4	0,94	1,04	1,7	2,17	1,98
	15.26.00	38	55	7,9959	5	0,85	1,13	1,89	2,17	1,23
	16.02.00	39	50	7,9959	2	0,85	1,13	1,89	2,17	1,42

DATA MONITORING ARUS BOCOR ISOLATOR										
Date	Time (Hour)	Temp. (°C)	Humidity (%)	UV mW/cm2	Rainfall mm/H	Type Insulators				
						Type A	Type B	Type C	Type D	Type E
	16.38.00	39	50	7,9959	2	0,94	1,13	1,89	2,26	0,85
	17.13.00	37	58	5,90278	3	0,66	1,04	1,89	2,26	0,28
07/11/19	17.48.00	36	64	3,21859	5	0,75	1,23	9,06	2,17	0,66
	18.23.00	35	67	1,68082	3	0,66	1,04	1,89	2,08	0,66
	18.58.00	33	77	0,19327	1	0,75	1,04	1,89	2,26	0,09
	19.33.00	32	82	0	0	0,66	0,94	1,89	2,17	0,57
	20.09.00	31	85	0	0	0,75	1,04	1,89	2,08	0,47
	20.44.00	32	79	0	0	0,85	1,32	1,89	2,08	0,47
	21.19.00	31	80	0	0	0,75	1,13	1,89	2,08	0,09
	21.54.00	30	88	0	0	0,94	1,04	1,89	2,17	1,04
	22.29.00	30	89	0	0	0,75	1,04	1,89	2,17	0,19
	23.04.00	30	89	0	0	0,75	1,13	1,89	2,17	1,51
	23.39.00	29	92	0	0	0,66	1,04	1,89	2,17	1,42
	0.14.00	29	93	0	0	0,94	1,13	1,89	2,17	0,09
	0.49.00	29	93	0	0	0,85	1,13	1,89	2,17	1,42
	1.24.00	29	94	0	0	0,85	1,04	1,89	2,17	0,47
	1.59.00	28	94	0	0	0,85	1,13	1,89	2,17	0,75
	2.34.00	28	94	0	0	0,94	1,04	1,89	2,17	1,04
	3.09.00	28	95	0	0	1,04	1,23	1,89	2,17	0,19
	3.44.00	27	95	0	0	0,94	1,23	1,89	2,17	0,19
	4.19.00	27	92	0	0	0,75	0,94	1,89	2,17	0,47
	4.54.00	27	92	0	0	0,85	1,04	1,89	2,17	0,85
	5.29.00	27	90	0	0	0,75	1,04	1,89	2,17	1,23
	6.05.00	27	91	0	0	0,57	1,13	1,89	2,17	1,04
	6.40.00	27	90	0,21318	0	0,75	0,94	1,89	2,17	0,19
7.15.00	27	89	0,21318	0	0,85	1,13	1,89	2,17	0,66	
7.50.00	29	89	0,5265	0	0,94	1,13	1,89	2,17	0,75	
8.25.00	31	87	0,6735	0	0,85	1,04	1,89	2,17	0,47	
9.00.00	33	77	2,65534	0	0,94	1,13	1,89	2,17	0,85	
9.35.00	38	54	6,16633	0	0,85	1,04	1,89	2,08	0,28	
10.10.00	38	54	6,16633	0	0,94	0,94	1,89	2,17	1,04	
10.46.00	40	42	1,73397	0	0,94	1,23	1,89	2,17	0,94	
11.13.09	40	42	2,36354	0	0,94	1,13	1,89	2,08	0,38	
11.49.00	43	38	7,20146	0	0,94	1,04	1,89	2,17	1,51	
12.24.00	43	38	7,20146	0	0,94	0,94	1,89	2,17	1,23	
13.01.00	37	61	1,89985	0	0,66	1,23	1,89	2,17	1,23	
13.37.00	38	59	7,9959	2	0,75	1,13	1,89	2,26	0,47	
14.12.00	37	62	3,49048	0	0,57	1,04	1,89	2,17	0,19	
14.48.00	37	62	3,49048	0	0,66	1,13	1,89	2,17	0,28	

DATA MONITORING ARUS BOCOR ISOLATOR										
Date	Time (Hour)	Temp. (°C)	Humidity (%)	UV mW/cm2	Rainfall mm/H	Type Insulators				
						Type A	Type B	Type C	Type D	Type E
	15.23.00	38	59	3,28302	0	0,75	1,13	1,89	2,08	1,04
	15.58.00	37	61	6,18243	0	0,47	0,94	1,89	2,08	1,04
	16.33.00	37	63	2,05549	1	0,38	1,04	1,89	2,08	0,28
	17.09.00	33	77	0,34553	0	0,47	1,04	1,89	2,08	1,04
	17.45.00	31	77	0,33909	0	0,85	1,04	1,89	2,17	0,57
	18.21.00	31	78	0,33909	0	0,75	1,04	1,89	2,17	0,85
	18.57.00	30	78	0	0	0,66	0,94	1,89	2,17	0,19
	19.33.00	30	80	0	0	0,94	0,85	1,89	2,17	0,19
	20.08.00	30	80	0	0	0,75	1,23	1,89	2,17	0,94
	20.44.00	29	85	0	0	0,66	1,04	1,89	2,17	0,57
	21.19.00	29	85	0	0	0,47	1,04	1,89	2,17	1,32
	21.54.00	29	88	0	0	0,75	1,04	1,89	2,17	0,66
	22.29.00	29	88	0	0	0,47	1,13	1,89	2,26	1,23
	23.04.00	29	90	0	0	0,38	1,04	1,89	2,26	1,04
	23.40.00	29	90	0	0	0,57	1,13	1,89	2,17	1,04
08/11/19	0.15.00	29	92	0	0	0,94	1,23	1,89	2,17	1,6
	0.51.00	29	92	0	0	1,04	1,04	1,89	2,08	0,57
	1.26.00	28	92	0	0	0,85	0,94	1,89	2,17	0,94
	2.02.00	28	93	0	0	0,66	1,23	1,89	2,17	1,04
	2.38.00	28	93	0	0	0,66	1,13	1,89	2,17	0,66
	3.14.00	28	95	0	0	0,57	1,04	1,89	2,17	0,47
	3.49.00	28	95	0	0	0,66	1,04	1,89	2,17	1,6
	4.25.00	28	95	0	0	0,94	1,04	1,89	2,17	0,85
	5.01.00	27	95	0	0	0,57	1,13	1,89	2,17	1,32
	5.37.00	27	95	0	0	0,85	1,04	1,89	2,17	0,09
	6.13.00	27	95	0,0205	0	0,85	0,85	1,79	2,17	0,75
	6.49.00	27	95	0,0205	0	0,75	1,04	1,89	1,98	1,32
	7.25.00	30	95	0,56266	0	0,94	1,23	1,89	2,17	0,38
	8.01.00	30	95	0,56266	0	0,94	1,23	1,89	2,17	1,32
	8.37.00	31	92	0,73792	0	1,04	1,04	1,89	2,17	0,75
	9.13.00	38	58	4,2795	0	1,13	1,13	1,89	2,17	1,6
	9.49.00	38	58	4,2795	0	0,94	1,04	1,89	2,17	1,04
	10.25.00	40	42	7,9959	0	0,94	1,13	1,89	2,17	1,42
	11.01.00	40	44	7,9959	0	1,04	1,23	1,89	2,08	0,66
	11.38.00	39	50	7,9959	0	0,94	1,04	1,98	2,17	0,28
	12.13.00	41	43	7,9959	0	0,85	1,04	1,98	2,17	1,04
	12.49.00	41	43	7,9959	0	0,75	0,85	1,89	2,17	1,32
	13.24.00	31	79	0,87555	0	0,85	1,04	1,89	2,17	1,42

DATA MONITORING ARUS BOCOR ISOLATOR										
Date	Time (Hour)	Temp. (°C)	Humidity (%)	UV mW/cm2	Rainfall mm/H	Type Insulators				
						Type A	Type B	Type C	Type D	Type E
	14.19.00	31	87	1,05608	0	0,85	1,13	1,6	1,98	0,75
	14.51.01	31	87	1,05608	0	0,94	1,04	1,42	1,98	1,6
	15.25.00	32	81	5,59004	0	1,04	1,13	1,6	1,98	1,51
	16.00.00	31	84	1,63836	0	0,85	1,04	1,32	1,89	0,94
	16.35.00	31	84	1,63836	0	0,75	1,04	1,42	1,79	1,7
	17.10.00	33	79	2,18536	0	0,85	1,04	1,32	1,6	1,6
	17.44.00	34	80	1,41376	0	0,85	1,13	1,51	1,98	1,23
	18.19.00	32	90	0,07013	0	0,75	0,94	1,32	1,89	1,13
	18.53.00	32	90	0,07013	0	0,66	1,13	1,51	1,98	1,79
	19.28.00	31	95	0	0	0,66	1,13	0,94	1,98	1,51
	20.02.00	31	95	0	0	0,66	1,13	1,23	1,89	2,36
	20.36.00	31	95	0	0	0,66	1,04	1,42	1,98	1,13
	21.10.00	30	95	0	0	0,75	1,04	1,23	1,98	1,42
	21.44.00	30	95	0	0	1,04	0,94	0,94	1,98	1,04
	22.18.00	30	95	0	0	0,94	1,04	0,94	1,89	1,32
	22.52.00	29	95	0	0	0,85	1,04	1,7	1,89	1,32
	23.26.00	29	95	0	0	0,75	1,13	1,13	1,98	1,98
09/11/19	0.00.00	28	95	0	0	0,85	1,04	1,6	1,79	1,04
	0.35.00	28	95	0	0	0,66	1,04	1,13	1,98	1,13
	1.09.00	28	95	0	0	1,04	1,13	1,6	1,98	1,6
	1.43.00	28	95	0	0	0,66	1,13	1,42	1,98	2,45
	2.17.00	27	95	0	0	1,04	1,04	0,85	1,98	1,23
	2.51.00	27	95	0	0	0,66	1,13	1,13	1,98	1,04
	3.25.00	27	95	0	0	1,04	1,23	1,23	1,98	1,98
	3.59.00	27	95	0	0	1,04	1,23	1,42	1,98	1,79
	4.33.00	27	95	0	0	0,94	1,04	1,51	1,7	1,42
	5.07.00	26	95	0	0	0,94	0,94	1,32	1,89	0,75
	5.41.00	26	95	0	0	0,85	1,23	1,13	1,7	1,32
	6.16.00	26	95	0,02635	0	0,85	1,04	1,42	1,98	0,75
	6.50.00	26	95	0,02635	0	1,04	1,13	1,23	1,89	1,7
	7.24.00	29	95	0,49092	0	0,94	1,04	0,75	1,79	1,51
	7.58.00	30	86	0,62855	0	0,85	1,04	0,66	1,7	0,94
	8.32.00	34	71	2,86091	0	0,66	1,13	1,04	1,89	0,94
	9.06.00	34	71	2,86091	0	0,85	1,13	1,23	1,89	1,79
	9.40.00	36	56	6,11947	0	1,13	1,23	0,75	1,79	1,89
	10.14.00	39	48	7,9959	0	0,85	1,04	0,85	1,79	2,26
	10.49.00	35	70	1,6959	0	0,85	1,04	1,42	1,79	0,75
	11.23.00	35	70	1,6959	0	0,85	1,04	0,94	1,51	1,32
	11.57.00	39	51	4,00483	0	0,85	1,04	1,23	1,89	1,23
	12.21.47	39	54	2,47379	0	0,85	0,94	1,32	1,32	1,79

DATA MONITORING ARUS BOCOR ISOLATOR											
Date	Time (Hour)	Temp. (°C)	Humidity (%)	UV mW/cm2	Rainfall mm/H	Type Insulators					
						Type A	Type B	Type C	Type D	Type E	
	12.57.00	41	46	7,9959	0	0,94	0,94	1,51	1,42	2,36	
	13.31.00	41	46	7,9959	0	0,94	1,04	1,7	1,7	1,6	
	14.05.00	39	51	7,9959	0	0,85	1,13	1,7	1,89	1,13	
	14.40.00	39	51	7,9959	0	0,85	1,04	1,51	1,98	1,6	
	15.14.00	39	53	7,9959	0	0,85	1,23	1,89	1,98	1,79	
	15.49.00	36	63	1,1776	0	0,57	1,04	1,42	1,98	1,04	
	16.25.00	36	63	1,1776	0	0,47	1,04	0,75	1,98	1,51	
	17.00.00	30	95	0,32401	0	0,75	1,13	1,32	1,98	1,89	
	17.35.00	30	95	0,3265	1	0,66	1,13	1,6	1,98	1,32	
	18.10.00	31	95	0,42401	0	0,75	1,04	1,23	1,98	1,51	
	18.44.00	31	95	0,42401	0	0,75	1,04	1,13	1,7	2,45	
	19.18.00	30	95	0,01069	0	0,66	1,04	1,04	1,51	1,42	
	19.53.00	29	95	0	0	0,75	1,13	0,94	1,98	1,89	
	20.27.00	29	95	0	0	0,66	1,13	1,32	1,98	1,79	
	21.01.00	29	95	0	0	0,85	1,04	1,13	2,08	0,66	
	21.35.00	29	95	0	0	0,57	1,13	1,6	1,89	1,42	
	22.09.00	29	95	0	0	0,85	0,94	1,42	1,89	1,42	
	22.43.00	28	95	0	0	0,66	1,13	1,04	1,7	2,36	
	23.17.00	28	95	0	0	0,85	1,13	1,51	1,89	1,32	
	23.51.00	28	95	0	0	0,85	1,04	1,6	1,98	1,04	
	10/11/19	0.25.00	28	95	0	0	0,66	1,13	1,23	1,7	0,85
		0.59.00	28	95	0	0	1,04	1,04	1,13	1,89	2,36
		1.33.00	28	95	0	0	0,75	1,23	1,42	1,7	1,6
2.07.00		28	95	0	0	0,94	1,13	0,94	1,89	1,42	
2.41.00		28	95	0	0	1,04	1,04	1,23	1,89	1,32	
3.15.00		27	95	0	0	0,85	1,13	0,85	1,79	1,32	
	3.49.00	27	95	0	0	0,94	1,04	1,13	1,89	1,6	
	4.23.00	27	95	0	0	1,04	0,94	1,51	1,79	2,36	
	4.57.00	27	95	0	0	0,94	1,23	1,51	1,89	1,04	
	5.32.00	27	95	0	0	1,04	1,13	1,51	1,98	1,98	
	6.06.00	27	95	0	0	0,75	1,23	1,23	1,98	1,79	
	6.40.00	27	95	0,16984	0	0,94	1,23	1,13	1,6	1,98	
	7.14.00	28	95	0,406	0	1,13	1,32	1,42	1,42	1,32	
	7.48.00	28	95	0,406	0	0,94	1,13	1,51	1,7	1,51	
	8.22.00	30	95	0,59575	0	0,85	1,04	1,42	1,79	1,79	
	8.56.00	36	65	3,82328	0	0,85	1,13	0,94	1,89	1,89	
	9.30.00	35	64	3,8549	0	0,94	1,13	1,23	1,7	1,6	
	10.04.00	35	64	3,8549	0	0,94	1,04	1,32	1,79	2,36	
	10.38.00	37	62	7,4142	0	0,85	1,13	1,23	1,89	2,26	

DATA MONITORING ARUS BOCOR ISOLATOR										
Date	Time (Hour)	Temp. (°C)	Humidity (%)	UV mW/cm2	Rainfall mm/H	Type Insulators				
						Type A	Type B	Type C	Type D	Type E
	11.12.00	38	49	7,9959	0	1,04	1,04	1,23	1,98	1,42
	11.46.00	39	54	7,9959	0	1,13	1,13	1,23	1,89	1,98
	12.20.00	39	54	7,9959	0	0,85	1,04	0,75	1,98	1,51
	12.54.00	38	56	7,9959	0	0,94	1,13	1,23	1,98	1,89
	13.28.00	37	68	2,74173	0	1,04	1,13	1,32	1,98	1,7
	14.03.00	37	64	7,9959	0	1,04	1,13	1,6	2,08	1,51
	14.37.00	37	64	7,9959	0	0,94	0,94	1,6	2,08	2,45
	15.11.00	37	70	3,7183	0	0,75	1,04	0,94	1,98	1,04
	15.46.00	37	70	3,7183	0	0,85	0,94	1,6	1,98	0,94
	16.21.00	35	69	1,81596	0	0,94	1,13	1,42	1,98	1,32
	16.55.00	33	83	1,1063	0	0,85	1,13	1,42	1,89	1,6
	17.29.00	33	83	1,1063	0	0,75	1,04	1,04	1,98	1,98
	18.03.00	32	84	0,81406	0	0,75	1,13	1,51	1,98	1,32
	18.37.00	32	87	0,08389	0	0,66	1,13	1,23	1,98	1,42
	19.12.00	32	87	0,08389	0	0,66	1,13	0,94	1,98	0,75
	19.47.00	31	95	0	0	1,04	0,94	1,13	1,6	0,94
	20.21.00	30	95	0	0	0,85	1,13	1,32	1,98	1,23
	20.55.00	29	95	0	0	0,94	1,13	1,42	1,98	1,13
	21.29.00	29	95	0	0	0,85	1,04	1,23	1,98	1,32
	22.03.00	29	95	0	0	0,75	1,04	1,23	1,98	1,89
	22.37.00	29	95	0	0	0,94	0,94	1,7	1,7	2,55
	23.11.00	29	95	0	0	0,75	1,04	1,32	2,08	1,79
	23.46.00	28	95	0	0	0,47	1,04	1,23	1,98	1,51
11/11/19	0.21.00	28	95	0	0	1,04	1,13	1,32	1,98	1,42
	0.55.00	28	95	0	0	0,85	1,13	0,94	1,51	1,79
	1.29.00	28	95	0	0	0,94	1,04	1,32	1,98	1,13
	2.03.00	27	95	0	0	1,04	1,13	1,04	1,98	1,79
	2.37.00	27	95	0	0	0,75	1,13	1,51	2,08	1,13
	3.11.00	27	95	0	0	0,75	1,13	1,13	1,98	2,36
	3.46.00	27	95	0	0	0,85	1,32	0,94	1,6	0,66
	4.20.00	27	95	0	0	0,85	1,13	1,42	1,89	1,7
	4.54.00	27	95	0	0	0,94	1,04	1,32	1,89	1,32
	5.28.00	27	95	0	0	0,75	1,04	0,75	1,79	2,17
	6.02.00	27	95	0,00044	0	0,94	1,23	1,04	1,98	1,98
	6.36.00	27	95	0,00044	0	1,13	1,13	1,51	1,98	2,45
	7.11.00	27	95	0,44363	0	0,75	1,13	1,04	1,89	1,13
	7.45.00	27	95	0,44363	0	0,94	0,94	0,66	1,89	1,79

DATA MONITORING ARUS BOCOR ISOLATOR										
Date	Time (Hour)	Temp. (°C)	Humidity (%)	UV mW/cm2	Rainfall mm/H	Type Insulators				
						Type A	Type B	Type C	Type D	Type E
	8.19.00	29	95	0,61977	0	1,04	1,13	1,51	1,7	1,7
	8.53.00	37	70	3,52504	0	1,04	1,04	1,13	1,89	2,45
	9.27.00	40	55	4,69195	0	1,04	0,94	1,13	1,79	1,32
	10.01.00	40	55	4,69195	0	1,04	1,04	1,32	1,98	0,94
	10.35.00	41	50	3,29956	0	1,04	1,13	1,79	1,79	1,23
	11.09.00	40	52	3,82269	0	0,94	1,13	1,42	1,7	1,98
	11.44.00	44	39	7,9959	0	0,66	1,23	1,13	1,98	1,6
	12.18.00	44	39	7,9959	0	0,66	1,13	1,6	1,98	1,04
	12.52.00	45	36	7,71581	0	0,47	1,13	1,13	1,98	1,23
	13.26.00	46	35	7,9959	3	0,75	0,85	0,85	1,98	1,6
	14.01.00	44	39	7,9959	1	0,85	1,23	0,85	1,98	1,7
	14.37.00	44	39	7,9959	1	0,66	1,13	1,13	1,98	1,51
	15.12.00	46	35	7,9959	4	0,57	1,04	1,23	1,7	1,42
	15.48.00	44	36	7,9959	0	0,57	1,13	1,42	1,89	1,04
	16.23.00	43	39	4,98829	0	0,75	1,13	1,42	1,7	1,04
	16.58.00	41	43	3,70469	0	0,85	1,04	1,51	1,98	1,23
	17.32.00	40	44	2,2981	0	0,75	1,13	1,7	1,98	1,42
	18.06.00	40	44	2,2981	0	0,47	1,04	1,13	1,98	2,26
	18.40.00	34	61	0,02826	0	0,38	1,04	1,6	1,89	1,42
	19.14.00	34	61	0,02826	0	0,75	1,04	1,04	1,89	2,55
	19.49.00	33	71	0	0	1,04	1,13	1,51	1,98	2,17
	20.23.00	33	71	0	0	0,66	1,04	1,04	1,98	0,57
	20.58.00	32	80	0	0	0,85	0,94	0,94	1,51	1,7
	21.32.00	32	84	0	0	0,94	1,13	1,51	1,98	1,89
	22.07.00	32	84	0	0	0,85	1,04	1,32	1,98	2,08
	22.41.00	32	86	0	0	0,85	1,23	1,51	1,98	2,26
	23.15.00	32	87	0	0	1,04	1,04	1,6	1,98	2,08
	23.49.00	31	89	0	0	1,04	1,13	0,94	1,89	0,75
12/11/19	0.24.00	31	89	0	0	0,94	1,13	1,79	1,98	0,94
	0.58.00	30	83	0	0	0,75	1,13	1,23	1,7	0,94
	1.32.00	30	86	0	0	1,04	0,94	1,51	1,98	2,08
	2.06.00	30	86	0	0	0,75	1,04	1,7	1,98	0,94
	2.40.00	30	85	0	0	0,85	1,04	1,04	1,79	1,04
	3.14.00	30	86	0	0	0,85	1,04	1,7	1,98	0,94
	3.48.00	30	86	0	0	0,75	1,13	1,13	2,08	0,47
	4.22.00	29	95	0	0	0,85	1,04	1,42	2,08	1,32
	4.56.00	29	95	0	0	0,94	1,13	1,51	1,98	1,32
	5.30.00	29	95	0	0	0,94	1,13	1,42	1,42	0,47
	6.04.00	29	95	0	0	0,75	1,23	0,94	2,08	2,17
	6.39.00	29	95	0,0082	0	0,85	1,32	1,32	2,08	0,57

DATA MONITORING ARUS BOCOR ISOLATOR										
Date	Time (Hour)	Temp. (°C)	Humidity (%)	UV mW/cm2	Rainfall mm/H	Type Insulators				
						Type A	Type B	Type C	Type D	Type E
	7.13.00	29	95	0,0082	0	0,94	1,23	1,42	1,98	1,6
	7.47.00	28	95	0,19034	6	1,04	0,94	1,23	1,98	0,75
	8.21.00	28	95	0,34114	0	0,94	1,13	1,51	1,98	1,6
	8.55.00	28	95	0,34114	0	0,66	1,13	0,94	1,79	1,89
	9.29.00	28	95	0,54802	0	0,66	0,94	1,04	1,89	1,98
	9.56.19	29	95	0,94627	0	0,66	1,13	1,04	1,98	1,98
	10.24.55	29	95	0,49575	0	0,85	1,04	0,57	1,89	0,57
	10.37.49	29	95	0,49575	0	0,94	1,23	0,94	1,98	1,79
	11.12.00	30	95	2,06676	0	0,94	1,04	1,6	1,89	1,13
	11.28.18	30	95	2,06676	0	0,85	1,23	0,94	1,89	0,94
	12.04.51	31	95	2,85842	0	0,75	1,04	1,32	1,98	1,79
	12.39.00	31	95	2,86179	0	0,94	1,04	0,85	1,98	1,51
	13.14.00	34	81	3,55198	0	0,66	1,04	1,23	1,98	0,94
	13.50.00	35	73	2,99898	0	0,75	1,13	1,7	1,98	1,42
	14.24.00	35	73	2,99898	0	0,75	1,13	1,32	1,7	1,42
	14.44.09	36	65	3,25329	0	1,04	1,04	1,32	1,89	1,6
	15.19.00	38	62	2,77936	11	0,75	1,04	1,79	9,62	1,7
	15.53.00	38	62	2,77936	11	0,94	1,32	1,13	1,42	1,89
	18.23.00	35	66	1,85593	8	0,85	1,04	1,13	1,42	1,6
	20.53.00	30	95	0	0	0,75	1,13	1,13	1,42	1,23
	23.23.00	30	95	0	0	0,66	0,94	1,13	1,42	1,04
13/11/19	1.54.00	29	95	0	0	0,85	1,04	1,13	1,42	1,6
	4.25.00	28	95	0	0	0,75	1,13	1,13	1,42	1,7
	6.55.00	28	95	0,33426	0	0,94	1,13	1,13	1,42	1,42
	9.25.00	37	68	4,40835	0	0,94	1,23	1,13	1,42	1,89
	11.55.00	39	57	2,78419	0	1,04	1,23	1,13	1,32	1,42
	14.25.00	38	62	5,54026	0	0,75	0,94	1,13	1,42	1,32
	16.56.00	37	61	4,3552	0	0,75	1,04	1,13	1,32	1,7
	19.26.00	31	95	0	0	0,85	1,04	1,13	1,42	1,32
	21.55.00	31	95	0	0	0,47	1,04	1,13	1,42	0,66
14/11/19	0.24.00	29	95	0	0	0,57	1,23	1,13	1,42	1,6
	2.54.00	27	95	0	0	0,94	1,13	1,13	1,42	1,6
	5.24.00	26	95	0	0	0,85	1,04	1,13	1,42	1,42
	7.54.00	31	90	0,69839	0	0,94	1,13	1,13	1,42	1,13
	10.24.00	39	57	7,9959	0	0,94	1,23	1,13	1,42	1,13
	12.55.00	39	57	7,9959	0	0,85	1,04	1,23	1,42	1,7
	15.25.00	40	53	7,9959	0	0,85	1,04	1,23	1,42	1,79
	17.55.00	36	66	1,1795	0	0,75	1,13	1,23	1,42	2,26
	20.25.00	30	95	0	0	0,94	1,23	1,23	1,42	1,98

DATA MONITORING ARUS BOCOR ISOLATOR										
Date	Time (Hour)	Temp. (°C)	Humidity (%)	UV mW/cm2	Rainfall mm/H	Type Insulators				
						Type A	Type B	Type C	Type D	Type E
15/11/19	22.55.00	29	95	0	0	1,04	1,13	1,23	1,42	1,79
	1.24.00	29	95	0	0	0,85	1,23	1,23	1,42	2,17
	3.54.00	27	95	0	0	0,94	1,13	1,23	1,42	1,6
	6.23.00	26	95	0,05695	0	1,04	1,13	1,23	1,42	1,23
	8.53.00	26	95	0,05695	0	0,94	1,23	1,23	1,42	2,17
	11.23.00	42	39	7,9959	0	0,85	1,04	1,23	1,42	1,04
	15.28.03	26	95	0,67438	0	0,85	1,04	1,04	1,98	1,89
	16.03.00	26	95	0,67438	0	0,75	1,04	1,23	2,08	0,94
	16.37.00	29	95	0,65198	0	0,75	0,94	0,94	2,08	1,6
	17.11.00	29	95	0,39034	0	0,75	1,13	1,7	1,98	1,42
	17.46.00	29	95	0,39034	0	0,85	1,04	1,6	1,98	0,94
17.59.21	30	95	0,48887	0	0,75	1,13	1,79	2,08	1,04	
	18.34.00	30	95	0,08243	0	0,75	1,04	1,6	2,08	1,32
	19.09.00	29	95	0	0	0,94	1,42	1,6	1,89	1,32
	19.44.00	29	95	0	0	1,04	1,04	1,51	1,7	1,79
	20.19.00	29	95	0	0	0,85	0,94	1,51	1,98	2,17
	20.54.00	28	95	0	0	0,85	1,13	1,42	2,08	1,51
	21.29.00	28	95	0	0	0,94	1,04	1,7	2,08	0,66
	22.03.00	28	95	0	0	0,94	1,13	1,04	2,08	2,17
	22.37.00	28	95	0	0	0,66	1,13	1,6	1,98	1,7
	23.11.00	28	95	0	0	0,85	1,13	1,51	1,98	1,79
	23.45.00	27	95	0	0	0,85	1,13	1,51	1,89	0,94
16/11/19	0.20.00	27	95	0	0	0,75	1,13	1,04	1,6	0,85
	0.54.00	27	95	0	0	0,94	1,04	1,23	1,89	1,7
	1.28.00	27	95	0	0	0,75	1,04	1,6	1,98	1,32
	2.02.00	27	95	0	0	0,85	1,04	1,04	1,79	1,42
	2.36.00	26	95	0	0	0,85	1,04	0,66	1,6	1,6
	3.11.00	26	95	0	0	0,75	1,13	1,7	1,98	1,23
	3.45.00	26	95	0	0	0,85	1,13	1,42	1,7	1,6
	4.20.00	26	95	0	0	0,94	1,13	1,32	1,89	1,32
	4.54.00	25	95	0	0	1,04	1,23	1,42	1,42	1,32
	5.28.00	25	95	0	0	0,94	1,04	1,23	1,79	1,32
	6.02.00	25	95	0	0	0,66	0,94	0,94	1,98	1,79
	6.37.00	26	95	0,16691	0	0,94	1,13	1,23	1,89	0,66
	7.12.00	26	95	0,16691	0	0,85	1,23	1,42	1,98	1,42
	7.47.00	27	95	0,47233	0	0,75	1,23	1,42	1,89	1,51
	8.21.00	30	95	1,17511	0	1,04	1,23	1,51	1,6	1,51
8.55.00	37	70	3,55578	0	0,66	1,23	1,13	1,89	0,75	
9.30.00	39	58	4,47672	0	0,75	1,13	0,75	1,98	2,36	
9.47.20	39	56	5,98829	0	0,85	1,13	1,7	1,79	2,08	

DATA MONITORING ARUS BOCOR ISOLATOR										
Date	Time (Hour)	Temp. (°C)	Humidity (%)	UV mW/cm2	Rainfall mm/H	Type Insulators				
						Type A	Type B	Type C	Type D	Type E
	10.8.55	38	55	7,2	9	0,75	1,13	1,04	1,89	1,32
	10.53.0	38	54	7,9959	0	0,85	1,23	1,42	1,89	0,94
	11.28.0	41	46	7,9959	0	0,75	1,23	1,6	2,08	1,7
	12.2.0	40	46	7,9959	0	0,85	1,13	1,13	1,89	1,32
	12.37.0	39	57	7,9959	0	0,94	1,13	1,13	1,51	1,7
	13.12.0	38	57	7,9959	0	1,04	1,23	1,42	1,42	1,42
	13.47.0	38	65	7,9959	0	0,94	1,23	1,6	1,89	1,04
	14.22.0	38	65	7,9959	0	0,94	1,13	1,51	1,98	0,85
	14.58.0	40	61	7,9959	0	1,04	1,04	1,51	1,98	1,89
	15.33.0	41	56	7,9959	0	1,04	1,04	1,51	1,98	1,89
	16.8.0	41	50	7,9959	0	0,85	1,04	1,42	1,98	0,66
	16.42.0	40	46	7,53192	0	0,94	1,04	1,51	2,08	1,7
	17.16.0	41	43	3,17657	0	0,85	1,13	1,23	1,89	1,51
	17.52.0	41	43	3,17657	0	0,94	1,13	1,42	2,08	1,32
	18.27.0	39	50	1,13895	0	0,94	0,94	1,42	1,98	1,23
	19.3.0	34	65	0	0	0,85	1,04	1,79	1,98	1,04
	19.37.0	34	65	0	0	1,04	1,04	1,23	1,98	2,83
	20.11.0	33	72	0	0	0,94	1,13	1,51	2,08	1,7
	20.45.0	33	72	0	0	0,85	0,94	1,32	1,98	2,26
	21.19.0	32	80	0	0	0,94	1,13	1,32	1,89	1,42
	21.55.0	31	85	0	0	1,04	1,04	1,42	1,98	1,32
	22.29.0	31	85	0	0	0,94	0,94	1,79	1,89	1,51
	23.4.0	30	93	0	0	1,04	1,13	1,7	1,98	1,98
	23.40.0	30	93	0	0	1,04	1,23	1,79	2,08	0,85
17/11/19	0.14.0	29	95	0	0	0,94	1,13	0,85	1,98	1,32
	0.49.0	29	95	0	0	0,94	1,13	1,79	1,98	1,42
	1.23.0	29	95	0	0	0,85	1,04	1,42	1,98	0,94
	1.58.0	29	95	0	0	0,85	1,04	1,32	2,08	1,7
	2.33.0	28	95	0	0	0,85	1,04	1,6	2,08	1,04
	3.8.0	28	95	0	0	1,13	1,04	1,32	1,98	0,94
	3.43.0	28	95	0	0	0,85	1,13	1,13	2,08	1,13
	4.19.0	28	95	0	0	1,04	1,13	1,51	1,98	0,75
	4.54.0	27	95	0	0	0,94	1,23	1,04	1,89	1,98
	5.28.0	27	95	0	0	0,85	1,04	1,32	1,89	1,79
	6.4.0	27	95	0	0	0,85	1,04	1,32	1,98	1,42
	6.39.0	27	95	0,00146	0	0,85	1,13	1,42	1,6	1,98
	7.14.0	27	95	0,18346	0	0,94	1,04	0,85	1,98	1,51
	7.49.0	31	95	0,61098	0	0,85	1,13	1,42	1,89	1,51
	8.24.0	31	95	0,61098	0	0,94	1,13	0,94	2,08	0,75

DATA MONITORING ARUS BOCOR ISOLATOR										
Date	Time (Hour)	Temp. (°C)	Humidity (%)	UV mW/cm2	Rainfall mm/H	Type Insulators				
						Type A	Type B	Type C	Type D	Type E
	8.59.0	38	64	3,17174	0	0,75	1,04	1,13	2,08	1,89
	9.34.0	40	56	5,08873	0	0,94	1,13	1,23	1,98	1,32
	10.9.0	37	59	7,31127	0	0,85	1,04	1,04	1,89	2,26
	10.44.0	41	50	7,9959	0	1,04	1,13	1,7	1,7	1,89
	11.19.0	38	60	7,9959	0	1,13	1,04	1,79	2,08	1,7
	11.54.0	41	52	7,9959	0	1,04	1,13	1,6	1,98	2,55
	12.29.0	42	51	5,35915	0	0,66	1,23	1,23	1,98	2,26
	13.3.0	42	51	5,35915	0	1,04	1,23	1,42	2,08	1,89
	13.39.0	40	57	7,9959	0	0,66	1,04	1,23	1,98	1,98
	14.14.0	40	59	7,9959	0	0,85	1,04	1,42	1,98	2,17
	14.48.0	40	61	7,9959	0	0,85	1,04	1,32	1,98	1,51
	15.22.0	40	61	7,9959	0	0,85	0,94	1,51	1,89	1,32
	15.57.0	39	64	7,9959	0	0,75	1,13	1,42	1,98	1,32
	16.32.0	40	61	5,81742	0	0,85	1,13	1,79	1,89	1,51
	17.7.0	40	61	3,97306	0	0,94	1,13	1,42	2,08	0,94
	17.42.0	38	62	2,1776	0	0,66	1,13	1,7	1,98	1,23
	18.17.0	35	72	0,48258	0	0,75	1,13	1,42	1,98	1,51
	18.51.0	35	72	0,48258	0	0,94	1,23	1,13	1,98	0,94
	19.26.0	33	82	0	0	0,66	1,23	1,51	1,79	0,85
	20.2.0	33	82	0	0	0,66	1,23	1,42	1,98	1,13
	20.36.0	32	82	0	0	0,66	1,13	1,79	2,08	1,42
	21.11.0	32	90	0	0	0,75	1,13	1,23	1,98	1,32
	21.45.0	32	90	0	0	0,47	1,04	1,13	2,08	1,23
	22.20.0	31	89	0	0	0,85	1,04	1,51	2,08	1,79
	22.56.0	30	95	0	0	0,57	1,13	1,6	1,98	1,7
	23.32.0	30	95	0	0	0,75	1,04	1,13	1,98	1,23
18/11/19	0.7.0	30	95	0	0	1,04	1,13	1,7	1,98	2,45
	0.42.0	29	95	0	0	1,04	1,13	1,6	1,98	1,79
	1.17.0	29	95	0	0	0,66	1,04	1,42	1,98	1,79
	1.52.0	29	95	0	0	0,57	1,13	1,51	2,08	1,42
	2.27.0	29	95	0	0	0,85	1,13	1,7	1,98	1,23
	3.2.0	29	95	0	0	0,75	1,13	1,51	2,08	2,17
	3.37.0	29	95	0	0	0,57	1,04	1,6	1,98	1,98
	4.12.0	28	95	0	0	0,85	1,13	1,42	2,08	1,51
	4.47.0	28	95	0	0	0,94	1,13	1,51	1,89	0,94
	5.22.0	27	95	0	0	0,75	1,13	0,94	1,98	1,89
	5.57.0	27	95	0	0	0,94	1,13	1,6	1,98	1,23
	6.33.0	27	95	0,13997	0	0,85	1,13	1,13	1,89	0,94
	7.9.0	27	95	0,13997	0	0,94	1,32	1,7	1,98	1,89
	7.44.0	30	95	0,6164	0	0,85	1,13	1,51	1,98	2,26

DATA MONITORING ARUS BOCOR ISOLATOR										
Date	Time (Hour)	Temp. (°C)	Humidity (%)	UV mW/cm2	Rainfall mm/H	Type Insulators				
						Type A	Type B	Type C	Type D	Type E
	8.19.0	30	95	0,6164	0	0,94	1,23	1,89	2,08	0,66
	8.54.0	38	69	3,28009	0	0,94	1,04	1,32	2,08	0,85
	9.29.0	38	68	4,8653	0	0,94	1,32	1,42	1,98	1,79
	10.4.0	40	55	7,1571	0	0,94	0,94	1,6	1,98	2,45
	10.40.0	40	55	7,1571	0	0,94	1,32	1,6	2,08	1,7
	11.14.0	39	56	7,9959	0	0,85	1,13	1,79	2,08	1,98
	11.50.0	39	56	7,9959	0	1,13	0,94	1,79	1,98	1,98
	12.25.0	42	49	7,9959	0	0,94	1,13	1,23	1,98	0,94
	13.0.0	42	48	7,9959	0	1,04	1,32	1,42	1,98	1,7
	13.35.0	41	48	7,9959	0	0,94	1,23	0,85	1,98	2,08
	14.11.0	41	53	7,9959	1	0,85	1,23	1,42	1,98	1,7
	14.46.0	41	57	7,9959	0	0,85	1,04	1,42	1,98	1,42
	15.21.0	40	60	7,9959	0	0,94	1,13	1,6	1,89	1,51
	15.56.0	42	56	7,68609	0	0,66	0,94	1,79	2,08	1,42
	16.31.0	42	53	5,4675	0	0,75	1,04	1,6	1,98	1,13
	17.6.0	42	53	5,4675	0	0,75	1,04	1,6	1,98	0,85
	17.41.0	38	64	2,11215	0	0,85	0,94	1,79	1,98	1,89
	18.16.0	38	64	2,11215	0	0,85	1,04	1,7	2,08	0,94
	18.51.0	36	72	0,44407	0	0,94	1,42	1,42	1,98	0,85
	19.26.0	33	88	0,01113	1	1,32	1,42	1,79	1,98	1,23
	20.1.0	32	92	0	0	1,23	1,42	1,51	1,98	1,51
	20.36.0	32	89	0	0	1,13	1,42	1,32	1,98	1,51
	21.11.0	32	93	0	0	0,85	0,94	1,42	1,98	1,04
	21.46.0	32	93	0	0	1,13	1,32	1,51	1,98	1,6
	22.21.0	31	95	0	0	1,13	1,32	1,51	1,98	1,6
	22.55.0	31	95	0	0	0,85	1,04	1,42	1,98	1,42
	23.30.0	31	95	0	0	0,94	1,23	1,7	1,98	1,51
19/11/19	0.5.0	31	95	0	0	1,04	1,42	1,79	1,98	2,26
	0.40.0	30	95	0	0	0,85	0,94	1,7	1,98	1,04
	1.15.0	30	95	0	0	0,94	0,85	1,7	1,98	0,75
	1.50.0	29	95	0	0	0,85	1,04	1,51	1,98	1,51
	2.25.0	29	95	0	0	1,04	1,32	1,32	1,98	2,08
	3.0.0	29	95	0	0	1,23	1,42	1,42	1,89	1,04
	3.34.0	28	95	0	0	0,85	1,13	1,42	2,08	0,94
	4.9.0	28	95	0	0	1,04	1,32	1,32	1,98	1,04
	4.44.0	28	95	0	0	1,23	1,32	1,51	2,08	1,32
	5.19.0	28	95	0	0	0,94	1,13	1,32	1,98	1,98
	5.54.0	28	95	0	0	0,85	1,32	0,85	2,08	2,26
	6.28.0	28	95	0,0981	0	1,13	1,23	0,75	2,08	0,85

DATA MONITORING ARUS BOCOR ISOLATOR										
Date	Time (Hour)	Temp. (°C)	Humidity (%)	UV mW/cm2	Rainfall mm/H	Type Insulators				
						Type A	Type B	Type C	Type D	Type E
	7.2.0	30	95	0,66471	0	0,75	0,94	1,23	2,08	1,04
	7.37.0	32	93	0,84817	0	0,94	1,13	1,23	2,08	1,7
	8.13.0	32	93	0,84817	0	1,04	1,23	1,42	1,89	1,42
	8.48.0	34	82	1,46354	0	0,94	1,13	1,04	2,08	1,6
	9.23.0	39	64	2,63294	0	0,75	1,13	1,13	1,98	1,13
	9.58.0	38	65	5,41142	0	0,66	1,13	1,51	1,98	2,26
	10.33.0	37	66	6,61537	0	0,85	0,94	1,79	1,98	1,32
	11.8.0	39	55	7,9959	0	0,75	1,23	0,85	2,08	0,85
	11.44.0	42	49	7,9959	0	0,85	1,04	1,6	1,98	1,98
	12.19.0	43	46	7,9959	0	0,75	1,23	0,94	1,98	1,13
	12.55.0	43	46	7,9959	0	0,66	1,04	1,6	1,6	1,42
	13.31.0	39	54	7,9959	0	0,85	1,04	1,04	1,89	1,51
	14.6.0	39	53	7,9959	0	0,94	1,23	1,42	1,98	2,26
	14.41.0	40	54	7,9959	0	0,75	1,04	1,79	1,98	1,89
	15.16.0	39	58	7,9959	0	0,85	1,04	1,51	1,98	1,51
	15.51.0	40	55	7,9959	0	0,85	0,94	1,51	1,98	1,89
	16.26.0	41	55	6,97452	0	0,47	1,13	1,6	1,98	1,04
	17.1.0	41	51	4,25373	4	0,75	1,13	1,32	1,98	1,04
	17.35.0	41	51	4,25373	4	0,85	0,94	1,42	1,7	2,45
	18.10.0	39	60	0,66999	0	0,66	1,04	1,51	1,98	1,04
	18.45.0	33	77	0,01596	0	0,75	1,04	1,23	1,98	1,79
	19.20.0	32	85	0	0	0,66	1,13	1,6	2,08	1,6
	19.55.0	31	92	0	0	0,85	1,04	1,42	1,7	1,7
	20.30.0	31	94	0	0	0,94	0,94	1,79	1,89	0,75
	21.5.0	31	95	0	0	0,85	1,13	1,7	1,98	2,26
	21.40.0	31	95	0	0	0,66	1,13	1,32	1,98	1,7
	22.15.0	30	95	0	0	0,94	1,13	1,32	1,98	0,94
	22.49.0	30	95	0	0	0,38	1,04	1,7	1,98	1,42
	23.24.0	30	95	0	0	0,75	1,23	1,51	1,98	1,32
	23.59.0	30	95	0	0	0,85	1,13	1,23	1,98	0,38
20/11/19	0.34.0	29	95	0	0	0,75	1,04	1,42	1,98	1,13
	1.10.0	29	95	0	0	0,66	1,13	1,32	1,89	1,13
	1.45.0	29	95	0	0	1,13	1,13	1,32	1,89	1,51
	2.20.0	28	95	0	0	0,94	1,23	1,6	1,98	0,47
	2.55.0	28	95	0	0	0,94	1,13	1,13	1,7	0,94
	3.30.0	27	95	0	0	0,94	1,13	1,42	1,89	1,7
	4.5.0	27	95	0	0	0,85	1,23	1,32	1,98	1,89
	4.40.0	27	95	0	0	1,13	1,13	1,6	2,08	2,08
	5.16.0	27	95	0	0	0,94	1,23	1,32	2,08	1,32

DATA MONITORING ARUS BOCOR ISOLATOR										
Date	Time (Hour)	Temp. (°C)	Humidity (%)	UV mW/cm2	Rainfall mm/H	Type Insulators				
						Type A	Type B	Type C	Type D	Type E
	5.51.0	27	95	0	0	0,94	1,23	1,32	2,08	1,42
	6.25.0	27	95	0	0	0,85	1,04	1,13	1,98	0,94
	7.0.0	27	95	0,33763	0	0,94	1,13	1,51	1,89	1,42
	7.35.0	29	95	0,59531	0	0,94	1,04	1,04	1,7	2,74
	8.10.0	29	95	0,59531	0	0,94	1,13	1,13	1,89	0,38
	8.45.0	31	93	0,68316	0	0,85	1,04	1,13	1,6	1,42
	9.20.0	36	67	2,34202	0	0,85	1,04	0,94	1,89	1,51
	9.55.0	35	75	4,93748	0	0,94	1,32	1,32	1,79	1,51
	10.29.0	39	55	7,24143	0	0,94	1,23	0,94	1,89	1,42
	11.3.0	42	41	7,9959	0	1,04	1,23	1,51	1,98	0,57
	11.37.0	42	41	7,9959	0	0,85	1,23	1,32	1,79	1,79
	12.13.0	42	44	7,9959	0	0,94	1,04	1,42	1,98	1,23
	12.47.0	42	44	7,9959	0	0,75	1,13	1,04	1,98	0,75
	13.23.0	40	46	7,9959	0	0,94	1,13	1,79	1,98	1,32
	13.59.0	40	46	7,9959	0	1,04	1,13	1,6	1,79	0,85
	14.34.0	39	49	7,9959	0	0,94	1,32	1,51	1,98	1,42
	15.9.0	40	47	7,9959	0	1,04	1,23	1,13	1,98	0,57
	15.43.0	39	52	7,8735	0	1,13	1,32	1,32	1,89	1,13
	16.18.0	40	51	6,45681	0	1,04	1,32	1,42	1,98	1,23
	16.53.0	40	48	4,61288	0	0,85	1,04	1,13	1,98	1,42
	17.29.0	39	56	2,37965	0	1,04	1,32	1,7	1,98	1,7
	18.5.0	36	65	0,93499	0	1,23	1,42	1,32	1,98	0,94
	18.39.0	36	65	0,93499	0	1,04	1,32	1,51	1,89	1,79
	19.13.0	32	89	0	0	1,04	1,32	1,13	1,98	1,7
	19.47.0	31	95	0	0	0,94	1,13	1,23	1,98	0,94
	20.22.0	31	95	0	0	0,94	1,04	1,23	1,98	1,7
	20.57.0	31	95	0	0	0,85	0,94	1,7	1,98	1,42
	21.32.0	31	95	0	0	0,85	1,32	1,32	1,89	1,04
	22.8.0	31	95	0	0	0,85	1,13	1,32	1,98	1,42
	22.42.0	31	95	0	0	0,66	1,04	1,04	1,79	0,57
	23.17.0	30	95	0	0	1,13	1,23	1,51	1,98	2,08
	23.52.0	30	95	0	0	0,75	1,04	1,51	1,98	0,85
21/11/19	1.0.0	29	95	0	0	0,85	1,04	1,7	1,98	1,32
	7.42.0	29	92	0,60659	0	0,75	1,04	1,32	1,98	1,98
	8.18.0	32	81	0,79151	0	0,94	1,23	1,32	1,89	0,47
	9.40.0	39	58	5,49136	0	0,85	0,94	0,66	1,79	1,42
	10.15.0	39	51	6,71933	0	0,75	1,13	1,23	1,98	0,94
	10.51.0	39	51	6,71933	0	0,75	1,13	1,79	1,7	1,6
	11.26.0	41	46	7,9959	0	0,94	1,23	1,32	1,7	0,94

DATA MONITORING ARUS BOCOR ISOLATOR										
Date	Time (Hour)	Temp. (°C)	Humidity (%)	UV mW/cm2	Rainfall mm/H	Type Insulators				
						Type A	Type B	Type C	Type D	Type E
	12.2.0	38	59	5,86091	0	1,04	1,23	1,6	1,98	1,13
	12.37.0	39	55	7,9959	0	0,85	1,13	1,51	1,98	1,79
	13.22.0	40	54	7,9959	0	0,85	1,13	1,89	1,79	1,32
	13.57.0	40	57	7,9959	0	0,94	1,04	1,79	1,98	1,32
	14.31.0	39	59	7,9959	0	0,75	1,13	1,6	2,08	1,13
	14.52.32	39	61	7,9959	0	0,85	1,04	1,7	1,98	0,75
	15.27.0	40	57	7,9959	0	0,57	1,13	1,51	1,98	1,7
	16.2.0	38	67	7,96823	0	0,85	1,13	1,51	1,98	2,17
	16.37.0	38	68	5,00337	0	0,57	1,04	1,51	1,98	0,94
	17.12.0	36	74	1,41083	4	1,04	1,04	1,89	1,98	1,51
	17.47.0	36	74	1,41083	4	0,66	0,94	1,51	2,08	1,13
	18.22.0	34	90	0,32943	0	0,85	1,04	1,7	1,89	1,7
	18.57.0	34	90	0,32943	0	0,66	1,13	1,04	1,98	1,89
	19.32.0	32	95	0,00234	0	0,66	1,04	1,7	1,98	1,98
	20.7.0	31	95	0	0	1,04	1,04	1,23	1,98	1,23
	20.42.0	31	95	0	0	0,75	1,04	1,42	1,98	0,57
	21.17.0	31	95	0	0	0,66	1,04	1,13	1,98	1,79
	21.52.0	31	95	0	0	0,57	1,13	1,7	1,7	1,89
	22.27.0	31	95	0	0	0,75	1,13	1,23	1,98	1,6
	23.2.0	30	95	0	0	0,47	1,04	1,13	1,98	1,7
	23.37.0	30	95	0	0	0,85	0,94	1,32	1,98	1,89
22/11/19	0.11.0	30	95	0	0	0,75	1,13	1,6	1,98	1,04
	0.46.0	31	95	0	0	0,85	1,13	0,94	1,98	2,26
	1.21.0	30	95	0	0	0,94	1,04	1,7	1,98	0,85
	1.56.0	30	95	0	0	0,94	1,04	1,7	1,98	2,17
	2.31.0	30	95	0	0	0,94	1,04	1,13	1,98	1,42
	3.5.0	29	95	0	0	1,04	1,13	1,42	1,98	1,23
	3.40.0	29	95	0	0	0,75	1,13	1,23	2,08	1,79
	4.15.0	28	95	0	0	1,04	1,04	0,85	1,98	1,04
	4.50.0	28	95	0	0	1,04	1,32	1,51	1,98	1,32
	5.25.0	28	95	0	0	1,04	1,04	1,23	1,98	0,94
	6.0.0	28	95	0	0	0,75	1,13	1,32	2,08	1,6
	6.36.0	27	95	0	0	1,13	1,42	0,47	1,89	0,66
	7.10.0	28	95	0,34202	0	1,04	1,42	1,23	1,89	1,32
	7.45.0	30	95	0,69839	0	1,04	1,04	0,85	1,89	1,6
	8.19.0	30	95	0,69839	0	0,94	1,13	0,94	1,89	1,42
	8.54.0	38	62	2,65051	0	0,94	1,13	1,32	1,79	1,04
	9.29.0	41	54	4,72855	0	0,85	1,13	1,23	1,51	1,42
	10.4.0	42	45	6,41376	0	0,94	1,23	0,94	1,98	1,42

DATA MONITORING ARUS BOCOR ISOLATOR										
Date	Time (Hour)	Temp. (°C)	Humidity (%)	UV mW/cm2	Rainfall mm/H	Type Insulators				
						Type A	Type B	Type C	Type D	Type E
	10.39.0	41	43	7,9959	0	1,13	1,04	1,23	1,79	0,94
	11.14.0	42	39	7,9959	0	1,04	0,94	1,13	1,98	1,23
	11.49.0	43	35	7,9959	0	0,94	1,13	1,6	2,08	1,32
	12.23.0	43	35	7,9959	0	1,04	1,13	1,13	1,98	0,38
	12.57.0	43	42	7,9959	0	0,94	1,04	0,85	1,98	0,75
	13.32.0	42	41	7,9959	0	1,04	1,23	1,51	1,98	1,32
	14.7.0	40	52	7,9959	0	1,23	1,32	1,42	1,98	1,98
	14.42.0	40	52	7,9959	0	0,85	1,04	0,94	1,98	1,7
	15.17.0	36	69	2,42606	0	1,04	1,13	1,23	1,98	0,66
	15.52.0	36	69	2,42606	0	0,94	1,23	1,32	1,89	0,75
	16.27.0	38	62	3,61537	0	0,85	1,23	1,32	1,98	1,23
	17.2.0	37	64	1,78419	0	1,04	1,13	1,32	1,98	0,47
	17.37.0	38	63	2,49678	0	0,94	0,85	1,51	1,98	1,42
	18.12.0	35	73	0,78814	0	0,85	0,94	1,42	1,7	1,79
	18.47.0	33	87	0,04041	0	1,04	1,23	1,51	1,98	0,38
	19.22.0	32	95	0	0	0,85	1,13	1,32	1,98	1,89
	19.57.0	31	95	0	0	0,94	1,13	1,51	1,98	1,23
	20.32.0	31	95	0	0	0,75	0,94	1,7	1,98	0,75
	21.7.0	31	95	0	0	0,75	1,04	1,79	1,98	1,51
	21.42.0	31	95	0	0	0,85	1,04	1,04	1,98	1,04
	22.17.0	30	95	0	0	0,75	1,04	1,23	1,7	1,51
	22.52.0	30	95	0	0	0,85	1,04	1,13	1,98	1,98
	23.26.0	30	95	0	0	0,85	1,04	1,51	1,98	0,85
23/11/19	0.1.0	30	95	0	0	0,66	1,04	1,32	1,79	1,23
	0.37.0	30	93	0	0	1,04	1,13	0,85	1,98	1,04
	1.12.0	29	94	0	0	1,23	1,23	1,51	1,89	1,42
	1.47.0	29	95	0	0	0,85	1,23	1,51	1,89	0,85
	2.22.0	29	95	0	0	0,94	1,04	1,23	1,89	1,7
	2.57.0	28	95	0	0	1,04	1,32	1,23	1,98	1,51
	3.32.0	28	95	0	0	1,04	1,23	0,75	1,98	1,13
	4.7.0	28	95	0	0	0,66	1,13	1,7	1,79	1,32
	4.42.0	28	95	0	0	0,85	1,04	1,23	2,08	1,42
	5.17.0	28	95	0	0	0,66	1,13	1,42	1,79	1,6
	5.52.0	27	95	0	0	0,85	1,04	1,6	1,89	2,08
	6.26.0	27	95	0,05271	0	0,75	1,04	1,42	1,51	1,51
	7.1.0	27	95	0,05271	0	0,75	1,04	1,23	1,79	0,75
	7.35.0	30	94	0,72416	0	0,75	1,13	1,32	1,89	1,51
	8.9.0	33	86	0,86428	0	0,47	0,85	1,32	1,7	1,32
	8.44.0	33	86	0,86428	0	0,85	1,04	0,94	1,79	1,7

DATA MONITORING ARUS BOCOR ISOLATOR										
Date	Time (Hour)	Temp. (°C)	Humidity (%)	UV mW/cm2	Rainfall mm/H	Type Insulators				
						Type A	Type B	Type C	Type D	Type E
	9.18.0	39	65	4,99854	0	0,75	1,04	1,32	1,7	0,94
	9.53.0	39	61	7,01508	0	0,66	1,04	1,04	1,51	1,6
	10.28.0	39	61	7,01508	0	0,57	0,94	0,94	1,6	2,36
	11.4.0	40	52	6,2	0	0,66	1,13	0,85	1,6	1,51
	11.40.0	39	56	3,48404	0	0,75	1,23	0,75	1,6	1,6
	12.14.0	39	58	7,9959	0	0,94	1,23	1,32	1,79	0,38
	12.48.0	40	58	7,9959	0	1,04	1,04	1,32	1,98	1,13
	13.23.0	39	58	7,9959	0	0,94	1,13	1,51	1,7	1,89
	13.59.0	39	58	7,9959	0	1,04	1,04	1,13	1,89	1,23
	14.35.0	40	59	7,9959	0	1,04	1,13	1,51	1,89	1,32
	15.9.0	40	59	7,9959	0	0,75	0,94	1,13	1,98	1,98
	15.44.0	40	54	7,51669	0	0,94	1,13	1,42	1,98	2,17
	16.19.0	40	53	6,57584	0	0,85	0,94	1,23	1,98	1,89
	16.54.0	39	56	2,69297	0	0,57	1,13	1,51	1,98	0,75
	17.29.0	38	61	1,56852	0	0,85	1,13	1,04	1,89	0,47
	18.4.0	36	70	0,7022	0	0,75	1,04	1,04	1,7	1,13
	18.39.0	33	79	0,05315	0	0,66	1,04	1,51	1,89	1,23
	19.14.0	32	88	0	0	0,66	1,13	0,75	1,89	1,13
	19.49.0	32	95	0	0	0,47	1,13	1,6	1,98	1,79
	20.24.0	31	95	0	0	0,85	1,13	1,51	1,98	1,79
	20.59.0	31	95	0	0	0,66	1,04	1,13	1,98	1,7
	21.34.0	31	95	0	0	0,94	0,94	1,13	1,7	1,89
	22.8.0	31	95	0	0	0,66	1,04	1,7	1,89	1,51
	22.43.0	31	95	0	0	0,85	1,23	1,13	1,98	1,51
	23.18.0	31	95	0	0	0,94	1,23	1,7	1,98	1,32
	23.53.0	30	95	0	0	0,66	0,94	1,04	1,89	1,6
24/11/19	0.27.0	30	95	0	0	0,85	1,04	1,6	1,7	1,6
	1.2.0	30	95	0	0	0,85	1,04	1,04	1,7	0,75
	1.37.0	29	95	0	0	0,94	1,04	1,51	1,89	1,32
	2.12.0	29	95	0	0	0,85	1,13	1,42	1,98	1,13
	2.47.0	29	95	0	0	0,85	1,04	1,7	1,98	0,66
	3.22.0	29	95	0	0	1,23	1,32	1,13	1,98	0,66
	3.57.0	28	95	0	0	0,85	1,04	1,04	1,89	1,7
	4.32.0	28	95	0	0	0,94	1,13	1,04	1,89	1,6
	5.8.0	28	95	0	0	0,75	1,23	1,42	1,98	1,13
	5.43.0	28	95	0	0	0,85	1,13	1,23	1,51	1,79
	6.34.0	28	95	0,11611	0	0,75	1,04	1,32	1,7	1,42
	7.9.0	29	95	0,5284	0	0,94	1,13	1,51	1,89	1,51
	7.44.0	31	91	0,63631	0	0,66	1,23	1,42	1,7	1,51
	8.20.0	31	91	0,63631	0	0,85	1,13	1,13	1,79	1,32

DATA MONITORING ARUS BOCOR ISOLATOR										
Date	Time (Hour)	Temp. (°C)	Humidity (%)	UV mW/cm2	Rainfall mm/H	Type Insulators				
						Type A	Type B	Type C	Type D	Type E
	8.55.0	33	80	0,91406	0	0,75	1,04	1,7	1,79	1,89
	9.31.0	41	58	4,54744	0	0,94	1,04	1,42	1,79	0,75
	10.6.0	40	59	6,75549	0	0,94	1,13	1,6	1,51	0,85
	10.40.0	42	53	7,9959	0	0,85	1,23	0,85	1,79	1,89
	11.15.0	42	53	7,9959	0	0,94	1,13	1,13	1,79	1,32
	11.49.0	40	59	7,9959	0	0,85	1,04	1,79	1,98	1,13
	12.24.0	39	62	7,9959	0	1,04	1,04	1,23	1,98	1,51
	13.0.0	41	57	7,9959	0	0,75	1,13	1,7	1,98	1,89
	13.35.0	37	67	1,87789	0	0,75	1,13	1,6	1,79	2,08
	14.9.0	37	67	1,87789	0	0,75	1,13	1,32	1,98	1,32
	14.44.0	41	54	7,9959	0	0,94	0,94	1,6	1,98	1,7
	15.19.0	40	52	7,9959	0	0,75	1,04	1,32	1,89	2,08
	15.54.0	40	50	6,85549	0	0,85	1,13	1,32	1,98	1,23
	16.29.0	38	57	2,90776	0	0,75	1,13	1,79	1,98	0,38
	17.4.0	37	59	1,91933	0	0,94	0,94	1,42	1,98	0,75
	17.39.0	35	67	0,58755	0	0,94	1,13	1,51	1,98	1,98
	18.14.0	36	66	0,49971	0	0,85	1,23	1,79	2,08	1,7
	18.49.0	33	87	0,01845	0	0,75	1,13	1,42	1,98	2,17
	19.24.0	32	94	0	0	1,04	1,04	1,79	1,98	1,7
	19.59.0	32	95	0	0	0,94	1,23	1,42	1,98	0,85
	20.34.0	32	95	0	0	1,04	1,13	1,79	1,98	1,6
	21.8.0	32	95	0	0	1,04	1,32	1,32	1,98	0,94
	21.42.0	31	95	0	0	1,13	1,04	1,51	1,98	0,94
	22.17.0	31	95	0	0	1,13	1,32	1,6	1,98	1,51
	22.53.0	31	95	0	0	1,04	1,23	1,42	2,08	0,85
	23.28.0	31	95	0	0	1,04	1,32	1,6	1,98	0,94
25/11/19	0.4.0	31	95	0	0	0,94	1,13	1,42	1,98	1,42
	0.39.0	30	95	0	0	1,04	1,32	1,7	1,98	0,94
	1.14.0	29	95	0	0	0,75	1,13	1,6	1,98	1,42
	1.49.0	29	95	0	0	0,85	1,23	1,6	2,08	2,08
	2.23.0	29	95	0	0	0,94	1,32	1,7	2,08	1,23
	2.58.0	28	95	0	0	0,85	1,13	1,04	1,89	1,23
	3.33.0	28	95	0	0	1,04	1,04	1,6	1,89	1,6
	4.8.0	28	95	0	0	0,85	1,13	1,32	1,89	1,6
	4.43.0	28	95	0	0	1,13	1,23	1,42	1,89	1,7
	5.18.0	28	95	0	0	0,94	1,04	1,42	1,98	1,13
	5.52.0	27	95	0	0	0,75	1,23	1,42	1,89	1,13
	6.27.0	27	95	0,06047	0	0,85	1,13	1,32	1,89	0,94
	7.2.0	27	95	0,06047	0	0,85	1,23	1,7	1,7	1,42

DATA MONITORING ARUS BOCOR ISOLATOR										
Date	Time (Hour)	Temp. (°C)	Humidity (%)	UV mW/cm2	Rainfall mm/H	Type Insulators				
						Type A	Type B	Type C	Type D	Type E
	7.37.0	28	95	0,37277	0	0,85	1,13	1,7	1,79	1,98
	8.11.0	31	95	0,92665	0	0,85	1,04	1,23	1,89	0,75
	8.46.0	31	95	0,92665	0	0,85	1,13	1,42	1,89	0,66
	9.21.0	40	62	4,51625	0	0,66	1,32	1,13	1,89	1,13
	9.56.0	40	62	4,51625	0	0,85	1,13	1,51	1,7	1,23
	10.30.0	41	54	7,9959	0	0,66	1,23	1,04	1,79	0,66
	11.7.52	38	56	7,9959	0	0,75	1,13	1,42	1,79	1,7
	11.44.0	38	56	7,9959	0	0,75	1,13	0,85	1,89	1,04
	12.20.0	37	71	7,9959	0	0,94	1,04	1,13	1,79	1,13
	12.56.0	40	62	7,83734	6	0,85	1,13	1,42	1,89	1,23
	13.31.0	38	66	2,92387	11	0,85	1,13	1,23	1,98	0,85
	14.7.0	38	66	2,92387	11	0,85	1,04	1,32	1,98	1,79
	14.42.0	31	95	0,29956	1	0,85	1,04	1,42	1,98	2,36
	15.16.0	27	95	1,01362	4	1,04	1,23	1,04	1,98	1,32
	15.50.0	28	95	2,56018	0	0,85	1,13	1,7	1,89	1,51
	16.24.0	28	95	2,56018	0	0,94	1,13	0,94	1,89	0,75
	16.59.0	35	86	3,38551	30	0,85	1,04	1,6	2,08	1,51
	17.34.0	36	80	1,794	14	1,13	1,6	1,98	2,26	0,09
	18.11.0	36	80	1,794	14	1,04	1,51	1,98	2,26	0,38
	18.47.0	32	94	0,03455	0	1,04	1,6	1,98	2,26	1,23
	19.24.0	31	95	0	0	0,94	1,6	1,98	2,26	0,75
	20.1.0	30	95	0	0	1,13	1,6	1,98	2,26	0,94
	20.37.0	30	95	0	0	1,13	1,6	1,98	2,26	1,32
	21.13.0	30	95	0	0	1,13	1,6	1,89	2,26	0,66
	21.50.0	30	95	0	0	1,13	1,6	1,89	2,26	0,66
	22.27.0	29	95	0	0	1,13	1,6	1,98	2,26	1,04
	23.4.0	29	95	0	0	0,94	1,6	1,98	2,26	0,19
	23.41.0	28	95	0	0	1,04	1,6	1,98	2,26	1,23
26/11/19	0.18.0	28	95	0	0	1,04	1,51	1,89	2,26	0,47
	0.55.0	28	95	0	0	1,23	1,51	1,98	2,26	0,85
	1.32.0	28	95	0	0	1,04	1,6	1,98	2,26	0,19
	2.9.0	27	95	0	0	1,13	1,6	1,98	2,17	0,85
	2.46.0	27	95	0	0	1,23	1,6	1,98	2,17	1,32
	3.23.0	27	95	0	0	1,13	1,51	1,98	2,26	0,47
	4.0.0	27	95	0	0	1,04	1,6	1,98	2,26	8E+07
	4.36.0	27	95	0	0	1,04	1,6	2,08	2,26	1,32
	5.13.0	27	95	0	0	0,94	1,6	1,98	2,36	1,32
	5.49.0	27	95	0	0	1,23	1,6	2,08	2,26	0,47
	6.25.0	26	95	0,05066	0	1,13	1,6	2,08	2,26	0,28

DATA MONITORING ARUS BOCOR ISOLATOR										
Date	Time (Hour)	Temp. (°C)	Humidity (%)	UV mW/cm2	Rainfall mm/H	Type Insulators				
						Type A	Type B	Type C	Type D	Type E
	7.2.0	27	95	0,35476	0	1,04	1,6	1,98	2,26	1,79
	7.39.0	29	95	0,56852	0	1,04	1,51	1,98	2,26	1,04
	8.16.0	29	95	0,56852	0	1,04	1,6	2,08	2,26	0,57
	8.53.0	31	95	0,74085	0	1,04	1,6	1,98	2,26	0,75
	9.30.0	37	78	2,41874	0	1,23	1,6	1,98	2,26	0,09
	10.7.0	40	67	5,58902	0	1,13	1,6	2,08	2,36	0,57
	10.44.0	41	59	7,9959	0	1,13	1,6	2,08	2,26	1,32
	11.21.0	41	59	7,9959	0	1,04	1,6	1,98	2,26	0,94
	11.58.0	42	43	7,9959	0	1,13	1,6	2,08	2,36	0,19
	12.35.0	41	47	7,9959	12	1,13	1,6	1,89	2,36	1,6
	13.12.0	39	59	7,9959	7	1,13	1,6	1,98	2,26	0,47
	13.49.0	41	53	7,9959	6	1,23	1,6	2,08	2,26	0,38
	14.25.0	39	59	3,77936	0	1,23	1,6	1,98	2,26	0,57
	15.2.0	41	57	7,9959	0	1,04	1,6	1,98	2,26	1,32
	15.39.0	40	60	3,96618	0	1,04	1,6	1,98	2,26	0,66
	16.16.0	40	60	3,96618	0	1,04	1,6	2,08	2,26	1,79
	16.53.0	37	74	2,14685	0	1,04	1,6	1,98	2,26	1,23
	17.30.0	36	76	1,53675	0	1,13	1,6	1,98	2,26	0,47
	18.7.0	36	76	1,53675	0	1,04	1,6	1,98	2,17	1,32
	18.44.0	33	85	0,38697	0	1,13	1,6	1,98	2,26	1,7
	19.21.0	32	91	0,09224	0	1,13	1,6	1,98	2,26	0,66
	19.57.0	30	95	0	0	1,13	1,6	1,98	2,26	1,32
	20.34.0	30	95	0	0	1,13	1,6	1,98	2,26	0,28
	21.11.0	30	95	0	0	1,13	1,6	1,98	2,26	0,75
	21.48.0	30	95	0	0	1,04	1,51	1,98	2,26	1,23
	22.24.0	30	95	0	0	1,13	1,51	1,98	2,26	0,28
	23.1.0	30	95	0	0	1,13	1,6	1,98	2,26	0,47
	23.38.0	29	95	0	0	1,04	1,51	1,98	2,26	1,51
27/11/19	0.15.0	28	95	0	0	1,23	1,6	1,98	2,26	1,04
	0.51.0	29	95	0	0	1,23	1,51	1,98	2,26	0,85
	1.28.0	29	95	0	0	1,04	1,6	2,08	2,26	0,66
	2.5.0	28	95	0	0	1,13	1,51	1,98	2,17	1,32
	2.41.0	28	95	0	0	1,13	1,6	1,98	2,26	0,38
	3.17.0	28	95	0	0	1,04	1,6	1,98	2,26	0,85
	3.54.0	28	95	0	0	1,23	1,6	1,98	2,17	1,13
	4.30.0	28	95	0	0	1,13	1,6	1,98	2,17	0,28
	5.6.0	28	95	0	0	1,23	1,51	1,89	2,26	0,38
	5.43.0	28	95	0	0	1,13	1,6	1,98	2,26	1,13
	6.20.0	28	95	0	0	1,13	1,6	1,98	2,26	0,85

DATA MONITORING ARUS BOCOR ISOLATOR										
Date	Time (Hour)	Temp. (°C)	Humidity (%)	UV mW/cm2	Rainfall mm/H	Type Insulators				
						Type A	Type B	Type C	Type D	Type E
	6.56.0	29	95	0,33968	0	1,13	1,6	1,98	2,36	0,19
	7.33.0	30	95	0,65095	0	1,04	1,51	2,08	2,26	1,32
	8.10.0	32	95	0,96384	0	1,13	1,6	2,08	2,26	0,94
	8.47.0	32	95	0,96384	0	1,04	1,6	2,08	2,26	1,04
	9.24.0	39	70	4,71098	0	1,13	1,6	2,08	2,17	0,38
	10.1.0	42	56	6,68023	0	1,13	1,6	1,89	2,26	0,57
	10.38.0	43	52	7,9959	0	1,13	1,6	1,89	2,26	0,75
	11.15.0	43	52	7,9959	0	1,23	1,6	1,98	2,17	0,47
	11.28.46	39	65	7,9959	0	1,23	1,51	1,98	2,26	1,42
	12.6.0	39	65	7,9959	0	1,04	1,51	1,98	2,26	0,94
	12.44.0	40	60	5,93119	0	1,04	1,6	1,98	2,26	0,66
	13.22.0	40	60	5,93119	0	1,13	1,6	1,98	2,26	0,75
	13.59.0	34	89	0,94422	0	1,04	1,51	1,98	2,17	0,28
	14.35.0	34	89	0,94422	0	1,13	1,6	1,89	2,26	1,23
	15.12.0	34	90	2,09707	0	1,13	1,51	1,98	2,26	0,94
	15.48.0	34	90	2,09707	0	1,13	1,51	1,98	2,26	0,28
	16.24.0	35	89	4,26545	0	0,94	1,51	1,98	2,26	0,75
	17.1.0	35	89	4,26545	0	1,13	1,6	1,98	2,17	1,04
	17.38.0	35	85	2,64612	0	1,04	1,6	1,98	2,26	1,79
	18.14.0	36	83	1,58419	0	1,13	1,51	1,98	2,26	0,94
	18.51.0	34	85	0,78331	0	1,13	1,51	1,98	2,26	0,28
	19.28.0	32	95	0	0	1,13	1,6	1,98	2,26	0,57
	20.4.0	31	95	0	0	1,13	1,6	1,98	2,26	0,09
	20.40.0	31	95	0	0	1,13	1,6	1,98	2,36	0,75
	21.16.0	31	95	0	0	1,13	1,6	1,98	2,26	1,04
	21.53.0	30	95	0	0	1,13	1,6	1,98	2,26	1,04
	22.30.0	30	95	0	0	1,23	1,6	1,89	2,26	1,04
	23.7.0	30	95	0	0	1,13	1,6	1,98	2,26	1,6
	23.43.0	30	95	0	0	1,13	1,6	1,98	2,36	0,75
28/11/19	0.19.0	30	95	0	0	1,13	1,6	2,08	2,26	1,13
	0.56.0	30	95	0	0	1,13	1,6	1,98	2,26	1,98
	1.33.0	29	95	0	0	1,23	1,6	1,98	2,26	0,75
	2.10.0	29	95	0	0	1,04	1,6	1,89	2,26	1,42
	2.47.0	29	95	0	0	1,04	1,6	1,98	2,26	1,23
	3.23.0	28	95	0	0	1,13	1,6	1,98	2,26	0,09
	4.0.0	28	95	0	0	1,13	1,7	1,98	2,17	1,6
	4.36.0	28	95	0	0	1,13	1,6	1,98	2,26	0,94
	5.12.0	28	95	0	0	1,23	1,6	1,98	2,26	1,23
	5.49.0	28	95	0	0	1,04	1,6	2,08	2,26	1,13

DATA MONITORING ARUS BOCOR ISOLATOR										
Date	Time (Hour)	Temp. (°C)	Humidity (%)	UV mW/cm2	Rainfall mm/H	Type Insulators				
						Type A	Type B	Type C	Type D	Type E
	6.26.0	28	95	0	0	1,23	1,6	2,08	2,26	0,28
	7.3.0	29	95	0,38302	0	1,13	1,6	1,98	2,26	0,94
	7.39.0	29	95	0,38302	0	1,04	1,6	2,08	2,26	1,6
	8.16.0	31	95	0,67936	0	1,23	1,6	2,08	2,36	0,75
	8.53.0	32	95	0,94714	0	1,23	1,6	1,98	2,26	1,23
	9.29.0	40	70	4,21025	0	1,04	1,6	2,08	2,26	1,04
	10.5.0	40	70	4,21025	0	1,13	1,6	1,98	2,26	0,38
	10.41.0	41	66	6,30498	0	1,13	1,6	1,98	2,26	1,51
	11.18.0	41	58	7,9959	0	1,13	1,6	1,98	2,26	1,13
	11.54.0	42	54	7,9959	0	1,04	1,6	1,98	2,26	1,98
	12.30.0	42	58	7,9959	0	1,04	1,6	1,98	2,26	0,47
	13.7.0	41	59	3,55871	0	1,13	1,51	1,98	2,36	0,66
	13.43.0	41	59	3,55871	0	1,23	1,6	1,98	2,17	0,85
	14.19.0	38	72	7,9959	0	1,04	1,6	1,98	2,17	0,09
	14.55.0	40	66	7,9959	0	1,13	1,6	1,98	2,26	0,75
	15.32.0	40	66	7,9959	0	1,23	1,6	1,98	2,26	0,94
	16.9.0	34	84	0,89795	0	1,23	1,6	2,08	2,26	1,04
	16.46.0	34	84	0,89795	0	1,23	1,6	1,98	2,26	1,04
	17.22.0	32	88	0,82079	0	1,23	1,6	1,98	2,26	0,28
	17.59.0	32	88	0,82079	0	1,23	1,7	2,08	2,26	0,57
	18.35.0	33	89	0,18931	0	1,13	1,6	2,08	2,26	1,13
	19.11.0	33	89	0,18931	0	1,13	1,7	1,98	2,26	0,66
	19.47.0	31	95	0	0	1,04	1,6	1,98	2,36	0,09
	20.24.0	30	95	0	0	1,13	1,6	1,98	2,26	0,28
	21.1.0	30	95	0	0	1,04	1,6	2,08	2,26	8E+07
	21.37.0	30	95	0	0	1,04	1,6	1,98	2,26	1,23
	22.14.0	30	95	0	0	1,13	1,6	1,98	2,26	0,57
	22.51.0	29	95	0	0	1,13	1,6	1,98	2,26	1,04
	23.27.0	29	95	0	0	1,04	1,6	1,7	2,26	0,47
29/11/19	0.3.0	29	95	0	0	1,23	1,6	1,98	2,26	0,66
	0.40.0	29	95	0	0	1,23	1,6	1,98	2,26	1,89
	1.16.0	28	95	0	0	1,13	1,6	2,08	2,26	0,85
	1.52.0	28	95	0	0	1,13	1,6	1,98	2,26	0,47
	2.29.0	28	95	0	0	1,13	1,6	2,08	2,26	0,38
	3.5.0	28	95	0	0	1,13	1,6	2,08	2,26	0,28
	3.42.0	27	95	0	0	1,13	1,6	2,08	2,26	0,66
	4.18.0	27	95	0	0	1,23	1,6	1,98	2,26	1,23
	4.55.0	27	95	0	0	1,04	1,6	1,98	2,26	0,47
	5.32.0	27	95	0	0	1,13	1,6	1,89	2,26	0,75

DATA MONITORING ARUS BOCOR ISOLATOR										
Date	Time (Hour)	Temp. (°C)	Humidity (%)	UV mW/cm2	Rainfall mm/H	Type Insulators				
						Type A	Type B	Type C	Type D	Type E
	6.9.0	27	95	0	0	1,13	1,6	1,98	2,26	1,04
	6.46.0	27	95	0,11757	0	1,13	1,6	2,08	2,26	0,38
	7.22.0	28	95	0,39619	0	1,13	1,6	1,98	2,26	0,75
	7.59.0	28	95	0,39619	0	1,23	1,6	1,98	2,26	0,28
	8.36.0	31	95	0,6183	0	1,04	1,6	1,98	2,26	0,19
	9.12.0	34	94	2,30791	0	1,13	1,6	2,08	2,36	1,51
	9.49.0	39	67	3,67833	0	1,13	1,51	2,08	2,26	0,66
	10.29.0	42	49	7,34934	0	1,04	1,13	1,6	1,89	1,04
	11.4.0	41	52	7,9959	0	0,94	1,13	1,51	1,89	1,51
	11.40.0	41	52	7,9959	0	0,85	1,13	1,42	1,89	0,66
	12.16.0	45	40	7,9959	0	0,85	1,23	1,32	1,79	1,42
	12.52.0	45	40	7,9959	0	1,04	1,23	1,6	1,98	1,79
	13.26.0	40	59	7,9959	0	0,66	1,13	1,51	1,89	1,6
	14.0.0	40	59	7,9959	0	0,85	1,23	1,32	1,98	1,7
	14.34.0	39	68	7,9959	0	0,94	1,13	1,42	2,08	1,89
	15.9.0	39	68	7,9959	0	0,57	1,13	1,6	1,98	1,42
	15.44.0	41	60	7,9959	0	0,57	1,04	1,7	1,89	2,26
	16.19.0	41	54	7,58799	0	0,85	1,04	1,7	1,98	1,7
	16.54.0	44	48	3,71977	0	1,04	1,13	1,51	1,98	0,94
	17.30.0	40	60	0,91157	0	0,75	1,04	1,04	1,98	1,6
	18.5.0	39	63	0,96032	0	0,57	1,04	1,7	1,89	0,57
	18.40.0	38	67	0,11552	0	1,04	1,32	1,7	1,98	2,26
	19.38.0	34	88	0	0	0,66	1,04	1,13	2,08	0,85
	20.13.0	34	88	0	0	0,57	1,13	1,6	1,89	1,6
	20.49.0	33	95	0	0	0,66	1,13	1,7	1,98	0,57
	21.24.0	32	95	0	0	1,04	1,04	1,6	1,89	1,32
	22.0.0	32	95	0	0	1,04	1,04	1,13	1,98	1,13
	22.36.0	31	95	0	0	0,85	1,13	1,6	1,98	1,32
	23.10.0	31	95	0	0	0,85	1,32	1,51	1,98	1,42
	23.44.0	31	95	0	0	0,94	1,13	1,42	1,98	1,89
30/11/19	0.18.0	30	95	0	0	0,85	1,23	1,6	2,08	2,26
	0.53.0	29	95	0	0	0,66	1,04	0,85	1,98	1,13
	1.28.0	29	95	0	0	0,94	1,23	1,32	1,98	1,42
	2.3.0	29	95	0	0	1,13	1,23	1,79	2,08	1,04
	2.38.0	29	95	0	0	1,04	1,13	1,6	1,98	0,94
	3.14.0	28	95	0	0	1,23	1,32	1,42	1,98	1,7
	3.49.0	28	95	0	0	1,04	1,32	0,94	1,98	2,08
	4.23.0	28	95	0	0	0,94	1,04	0,66	1,98	1,13
	4.58.0	28	95	0	0	1,04	1,32	0,85	1,98	1,13

DATA MONITORING ARUS BOCOR ISOLATOR										
Date	Time (Hour)	Temp. (°C)	Humidity (%)	UV mW/cm2	Rainfall mm/H	Type Insulators				
						Type A	Type B	Type C	Type D	Type E
	5.32.0	28	95	0	0	1,13	1,32	1,6	1,6	1,7
	6.6.0	28	95	0,00044	0	1,23	1,32	1,32	1,89	1,23
	6.41.0	28	95	0,00044	0	1,32	1,42	1,51	1,89	1,42
	7.16.0	28	95	0,19956	0	1,23	1,51	1,13	1,98	1,6
	7.51.0	30	95	0,52753	0	1,23	1,42	1,42	1,89	1,42
	8.26.0	32	95	0,76515	0	1,13	1,42	1,23	1,79	0,47
	9.1.0	37	79	3,40791	0	1,13	1,42	1,23	1,89	1,23
	9.36.0	39	68	4,39766	0	1,04	1,23	1,04	1,7	1,32
	10.11.0	42	59	5,08536	0	0,85	1,23	1,32	1,79	1,23
	10.47.0	42	59	5,08536	0	1,04	1,13	1,51	1,98	1,42
	11.22.0	39	65	7,54744	0	0,94	1,23	1,51	1,98	0,85
	11.58.0	39	66	7,9959	0	0,75	1,04	1,51	1,89	1,23
	12.33.0	42	60	7,9959	0	0,75	1,13	1,23	2,08	1,7
	13.8.0	38	69	6,52167	0	0,94	1,13	1,79	2,08	1,51
	13.43.0	38	73	2,74714	0	1,04	1,13	1,79	2,08	1,6
	14.18.0	40	69	7,9959	0	0,85	1,13	1,42	1,98	1,89
	14.53.0	38	77	5,32592	0	0,57	1,13	1,32	1,98	1,04
	15.28.0	40	68	7,75827	0	0,66	1,04	1,7	1,98	2,17
	16.3.0	40	66	6,80029	0	0,85	1,13	1,13	1,89	1,04
	16.38.0	34	81	1,42606	0	0,94	1,04	1,32	1,98	1,98
	17.13.0	32	85	1,08331	0	1,04	1,13	1,23	1,98	1,32
	17.48.0	34	87	1,20146	0	0,75	1,13	1,51	1,98	1,79
	18.23.0	34	87	1,20146	0	1,04	1,13	1,13	2,08	0,57
	18.58.0	34	87	0,45813	0	1,13	1,13	1,13	1,98	0,85
	19.33.0	32	95	0,00337	0	1,04	1,23	1,32	1,89	1,23
	20.7.0	31	95	0	0	0,94	1,13	1,6	2,08	2,45
	20.42.0	31	95	0	0	1,04	1,04	1,51	1,98	1,6
	21.18.0	31	95	0	0	0,85	1,23	1,04	1,89	0,47
	21.53.0	30	95	0	0	0,94	1,04	1,79	1,98	0,75
	22.28.0	30	95	0	0	0,94	1,13	1,42	1,98	1,04
	23.3.0	30	95	0	0	0,94	1,04	1,79	1,98	1,13
	23.37.0	29	95	0	0	1,04	1,04	1,42	2,08	1,13
01/12/19	0.13.0	29	93	0	0	0,94	1,04	1,32	1,98	1,13
	0.49.0	29	93	0	0	0,57	1,13	1,51	1,98	1,23
	1.21.0	29	93	0	0	0,75	1,13	1,23	1,98	0,94
	1.56.0	29	94	0	0	0,85	1,04	1,42	2,08	0,85
	2.31.0	28	95	0	0	0,85	1,13	1,13	1,98	1,13
	3.5.0	28	95	0	0	0,85	1,23	1,42	1,98	0,28
	3.40.0	28	95	0	0	0,94	1,32	1,23	1,98	0,85

DATA MONITORING ARUS BOCOR ISOLATOR										
Date	Time (Hour)	Temp. (°C)	Humidity (%)	UV mW/cm2	Rainfall mm/H	Type Insulators				
						Type A	Type B	Type C	Type D	Type E
	4.16.0	28	92	0	0	0,94	1,13	1,32	1,98	0,94
	4.50.0	28	90	0	0	0,66	1,23	1,23	1,89	1,42
	5.26.0	28	90	0	0	0,66	1,13	0,94	1,89	1,7
	6.1.0	28	90	0	0	0,75	1,13	0,85	1,7	1,6
	6.37.0	28	86	0,08199	0	1,04	1,13	1,04	1,79	1,13
	7.12.0	29	86	0,49136	0	0,38	1,13	1,32	1,98	0,85
	7.47.0	29	85	0,49136	0	0,85	1,23	1,13	1,98	1,51
	8.21.0	33	85	1,19078	0	0,94	1,32	1,6	1,89	1,7
	8.56.0	37	80	2,58419	0	0,85	1,04	0,94	1,89	1,32
	9.32.0	37	70	2,58419	0	0,85	1,13	1,04	1,79	0,47
	10.8.0	39	70	5,1366	0	0,85	1,04	1,32	1,98	1,42
	10.43.0	40	60	7,9287	0	0,85	1,23	0,94	1,79	1,23
	11.18.0	43	50	7,9959	0	0,94	1,32	1,04	1,79	1,04
	11.53.0	42	50	7,9959	0	0,85	1,04	1,42	1,89	1,79
	12.28.0	42	50	3,74802	0	0,85	1,23	1,23	1,98	0,57
	13.3.0	40	56	7,9959	0	0,94	1,04	1,42	1,7	1,7
	13.38.0	39	63	7,9959	0	0,94	1,13	1,42	1,98	1,79
	14.13.0	39	63	7,9959	0	0,85	1,32	1,42	1,98	1,98
	14.48.0	41	58	7,9959	0	1,04	1,13	1,79	1,89	0,28
	15.22.0	41	58	7,9959	0	1,23	1,04	1,51	1,98	1,6
	15.57.0	41	56	7,04539	0	0,94	1,04	0,85	2,08	1,32
	16.31.0	41	56	7,04539	0	0,85	1,04	1,6	1,98	1,98
	17.6.0	39	61	3,22108	0	0,85	1,13	1,13	1,98	1,23
	17.41.0	37	70	1,7183	0	1,04	1,13	1,32	1,98	1,98
	18.15.0	37	70	1,7183	0	1,04	0,94	1,7	1,98	1,04
	18.50.0	35	81	0,57775	0	1,13	1,23	1,32	1,98	1,51
	19.25.0	33	91	0,01903	0	0,75	1,13	1,7	1,79	1,89
	20.0.0	32	90	0	0	0,75	1,04	1,42	1,89	1,89
	20.35.0	31	90	0	0	0,57	1,13	1,32	1,7	0,94
	21.10.0	31	92	0	0	0,75	1,13	1,04	2,08	2,26
	21.45.0	31	92	0	0	0,85	1,04	1,6	1,98	1,51
	22.20.0	31	92	0	0	0,85	1,13	1,79	1,98	1,32
	22.55.0	31	92	0	0	0,94	1,04	1,42	1,98	1,89
	23.30.0	30	94	0	0	1,04	1,04	1,32	1,89	1,04
02/12/19	0.5.0	30	93	0	0	0,85	1,32	1,51	1,98	0,57
	0.40.0	30	93	0	0	1,04	1,04	1,13	1,89	1,79
	1.16.0	30	95	0	0	0,94	1,13	1,32	1,98	1,32
	1.51.0	29	95	0	0	1,04	1,13	1,04	2,08	1,6
	2.27.0	29	95	0	0	0,94	1,13	0,85	2,08	1,04

DATA MONITORING ARUS BOCOR ISOLATOR										
Date	Time (Hour)	Temp. (°C)	Humidity (%)	UV mW/cm2	Rainfall mm/H	Type Insulators				
						Type A	Type B	Type C	Type D	Type E
	3.2.0	29	93	0	0	0,94	1,04	1,6	1,98	1,04
	3.38.0	29	93	0	0	1,23	1,13	1,42	2,08	1,6
	4.13.0	29	90	0	0	0,94	1,23	0,94	1,89	2,08
	4.48.0	29	90	0	0	1,04	1,13	1,79	1,98	1,23
	5.25.0	29	90	0	0	0,85	1,13	1,6	1,98	0,94
	6.1.0	29	90	0	0	0,85	1,13	1,32	1,98	1,32
	6.36.0	29	86	0,08638	0	0,85	1,04	1,04	1,98	0,85
	7.11.0	29	86	0,08638	0	0,94	1,04	1,23	1,51	0,85
	7.45.0	30	80	0,49429	0	0,94	1,23	1,7	1,79	1,6
	8.20.0	32	80	0,98477	0	0,94	1,23	1,04	1,6	0,94
	8.55.0	34	75	1,28258	0	0,94	1,04	1,23	1,98	1,04
	9.28.0	39	75	1,82269	0	0,94	1,04	1,32	1,89	0,85
	10.3.0	36	70	2,31127	0	0,85	1,13	1,32	1,23	1,98
	10.38.0	41	69	2,28302	0	0,75	1,04	1,32	1,98	1,51
	11.13.0	36	68	2,1571	0	0,85	1,13	1,79	1,98	1,23
	11.48.0	41	68	7,9959	0	0,85	1,04	1,04	1,89	1,42
	12.22.0	38	77	1,92621	0	0,85	1,04	1,23	1,98	0,85
	12.57.0	38	82	7,9959	0	0,85	1,13	1,79	1,98	1,79
	13.31.0	38	82	7,9959	0	0,94	1,23	0,85	1,89	1,7
	14.5.0	37	82	4,9511	0	0,75	1,04	0,94	1,98	1,6
	14.40.0	37	82	4,9511	0	0,85	1,13	1,51	1,79	0,85
	15.15.0	31	83	0,75051	0	0,94	1,23	1,32	2,08	2,36
	15.50.0	32	83	1,42401	0	1,13	1,23	0,85	2,08	1,04
	16.24.0	37	84	5,40307	0	0,94	1,13	1,13	1,98	1,04
	16.59.0	37	85	5,40307	0	1,04	1,04	1,6	1,98	1,23
	17.33.0	35	85	1,52899	0	0,85	1,13	1,7	1,7	0,85
	18.7.0	35	85	1,52899	0	0,94	1,23	1,51	1,89	1,42
	18.42.0	31	85	0,03895	0	1,04	1,04	1,51	2,08	0,19
	19.17.0	30	90	0	0	1,13	1,23	1,13	1,98	1,42
	19.52.0	30	93	0	1	0,94	1,13	1,42	1,98	0,47
	20.27.0	30	93	0	1	1,04	1,23	0,85	1,98	1,6
	21.2.0	30	93	0	0	0,85	1,04	1,32	1,98	1,32
	21.37.0	30	93	0	0	0,94	1,04	1,42	2,08	1,6
	22.12.0	29	94	0	0	1,04	1,32	1,6	1,98	1,51
	22.47.0	29	94	0	0	0,94	1,23	1,04	1,98	1,32
	23.23.0	29	94	0	0	0,85	1,32	1,32	2,08	1,23
	23.58.0	29	94	0	0	0,94	1,23	1,6	1,98	0,66
03/12/19	0.32.0	29	95	0	0	0,94	1,13	1,51	1,98	1,51
	1.6.0	29	95	0	0	0,94	1,32	1,23	1,98	2,55

DATA MONITORING ARUS BOCOR ISOLATOR										
Date	Time (Hour)	Temp. (°C)	Humidity (%)	UV mW/cm2	Rainfall mm/H	Type Insulators				
						Type A	Type B	Type C	Type D	Type E
	1.40.0	29	95	0	0	0,94	1,32	1,04	1,98	1,13
	2.15.0	29	95	0	0	1,04	1,32	1,42	1,98	1,04
	2.50.0	29	94	0	0	0,94	1,13	1,42	1,51	0,66
	3.23.0	28	94	0	0	0,85	1,13	0,66	1,7	0,75
	3.59.0	28	92	0	0	1,13	1,04	1,42	1,89	1,7
	4.35.0	28	92	0	0	0,85	1,32	1,51	1,51	1,32
	5.10.0	28	92	0	0	1,04	1,32	1,32	1,89	1,42
	5.44.0	28	90	0	0	0,75	1,04	1,42	1,98	1,7
	6.21.0	28	90	0	0	0,94	1,42	1,13	1,89	1,6
	6.57.0	28	90	0,30498	0	0,94	1,23	1,32	1,89	0,38
	7.31.0	31	85	0,73104	0	0,57	1,04	0,75	1,89	0,94
	8.5.0	31	85	0,73104	0	0,85	1,13	1,51	1,6	0,47
	8.39.0	36	80	2,01889	0	0,85	0,94	1,51	1,89	1,79
	9.14.0	38	81	2,91069	0	0,85	1,13	1,32	1,79	1,13
	9.49.0	38	81	2,91069	0	0,94	1,04	1,42	1,98	1,6
	10.24.0	39	76	5,10483	0	0,75	1,04	1,13	1,7	1,6
	10.59.0	42	63	6,6041	0	0,85	1,23	1,32	1,79	2,55
	11.34.0	41	60	7,9959	0	0,85	1,13	1,6	1,7	2,55
	12.9.0	41	62	7,9959	0	0,75	1,32	1,7	1,89	1,32
	12.44.0	41	62	7,9959	0	0,85	1,23	1,51	1,7	1,7
	13.19.0	37	72	0,99019	0	0,85	1,04	1,23	1,89	0,85
	13.54.0	36	72	2,86911	0	0,85	1,13	1,42	1,98	0,38
	14.29.0	39	66	7,61435	0	0,94	1,04	0,85	1,7	0,75
	15.4.0	40	63	5,77057	0	0,94	1,13	1,32	1,98	0,94
	15.38.0	37	75	2,01742	0	0,85	1,13	1,6	2,08	1,04
	16.13.0	34	80	0,57482	0	0,85	1,04	1,79	1,98	2,08
	16.48.0	34	80	1,03748	0	0,94	1,13	1,51	1,98	0,75
	17.23.0	34	85	1,03748	0	1,04	1,32	1,23	1,98	1,79
	17.58.0	29	90	0,15373	2	1,13	1,23	1,32	1,89	1,32
	18.32.0	29	90	0,15373	2	0,85	1,04	1,51	1,89	1,7
	19.6.0	28	92	0	0	1,04	1,04	1,04	1,98	1,32
	19.41.0	28	92	0	0	0,85	1,13	1,79	1,7	1,7
	20.16.0	28	92	0	2	1,04	1,13	1,6	1,98	0,85
	20.51.0	28	93	0	0	0,75	1,04	1,51	1,98	1,32
	21.25.0	28	93	0	0	0,94	1,13	1,42	1,79	1,98
	22.0.0	28	93	0	0	0,85	1,13	1,6	1,79	0,75
	22.35.0	28	93	0	0	0,75	1,04	1,51	1,89	0,85
	23.10.0	28	93	0	0	0,66	1,04	0,85	1,98	0,66
	23.45.0	28	95	0	0	0,85	1,13	1,42	1,79	2,26

DATA MONITORING ARUS BOCOR ISOLATOR										
Date	Time (Hour)	Temp. (°C)	Humidity (%)	UV mW/cm2	Rainfall mm/H	Type Insulators				
						Type A	Type B	Type C	Type D	Type E
04/12/19	0.19.0	28	95	0	0	0,75	1,13	1,32	1,79	1,6
	0.53.0	28	95	0	0	0,94	1,23	1,32	1,79	1,51
	1.27.0	28	95	0	0	0,66	1,04	0,75	1,6	1,89
	2.3.0	28	95	0	0	0,85	1,13	1,13	1,89	2,08
	2.37.0	28	95	0	0	0,85	1,13	1,13	1,98	1,04
	3.13.0	28	95	0	0	1,04	1,13	1,32	1,51	0,94
	3.47.0	28	95	0	0	1,13	1,42	1,13	1,98	0,85
	4.20.0	27	95	0	0	0,85	1,04	1,51	1,89	1,04
	4.54.0	27	94	0	0	0,94	1,13	1,42	1,98	1,51
	5.27.0	27	93	0	0	1,13	1,13	1,51	1,98	0,85
	6.1.0	27	93	0	0	0,94	1,13	1,7	1,89	2,26
	6.35.0	27	93	0,04583	0	1,23	1,42	1,42	1,79	1,23
	7.11.0	28	90	0,36501	0	0,94	1,32	1,13	1,89	0,75
	7.45.0	28	90	0,36501	0	0,85	1,23	1,6	1,98	1,7
	8.20.0	31	87	1,04041	0	0,94	1,23	0,75	1,79	1,6
	8.56.0	34	80	1,60176	0	1,13	1,32	0,47	1,89	1,13
	9.31.0	35	80	1,78814	0	1,23	1,32	1,42	1,89	1,32
	10.6.0	35	78	1,78814	0	1,23	1,42	0,94	1,79	1,51
	10.41.0	37	75	3,69385	0	1,23	1,32	0,75	1,98	1,23
	11.16.0	41	73	4,4489	0	1,23	1,42	1,42	1,79	0,57
	11.51.0	40	76	4,52606	0	1,23	1,42	1,42	1,89	1,42
	12.26.0	42	70	4,27716	0	1,23	1,13	1,7	1,6	1,51
	13.1.0	43	63	6,68668	0	0,85	1,04	1,23	1,89	1,13
	13.36.0	35	81	1,41523	0	0,94	1,04	1,6	1,79	1,79
	14.11.0	32	90	3,6978	0	1,04	1,13	1,23	1,79	1,98
	14.46.0	32	92	0,98477	0	1,04	1,13	1,23	1,79	1,79
	15.21.0	33	92	1,66369	0	1,04	1,13	1,13	1,6	1,7
	15.56.0	36	91	1,92577	0	0,94	1,13	1,7	1,98	2,08
	16.31.0	36	90	1,80761	0	1,23	1,42	1,42	1,89	1,42
	17.41.0	34	92	0,9511	0	0,66	1,13	1,7	1,98	1,51
	18.16.0	33	92	0,3675	0	0,85	1,13	1,7	1,6	1,04
	18.51.0	31	92	0,00966	0	0,66	1,04	1,6	1,89	0,66
	19.26.0	31	93	0	0	0,85	1,04	1,7	1,7	1,23
	20.1.0	31	93	0	0	0,66	1,13	1,6	1,98	0,75
	20.37.0	30	93	0	0	0,85	1,13	1,42	1,89	1,04
	21.11.0	30	93	0	0	0,94	1,13	1,42	1,89	1,04
	21.46.0	30	93	0	0	0,85	1,04	1,6	1,98	1,04
	22.21.0	29	94	0	0	0,66	1,13	1,42	1,98	1,04
	22.56.0	29	94	0	0	0,94	1,13	1,04	1,7	1,42

DATA MONITORING ARUS BOCOR ISOLATOR										
Date	Time (Hour)	Temp. (°C)	Humidity (%)	UV mW/cm2	Rainfall mm/H	Type Insulators				
						Type A	Type B	Type C	Type D	Type E
	23.31.0	29	94	0	0	0,66	0,94	1,23	1,89	1,13
05/12/19	0.6.0	29	94	0	0	0,85	1,04	1,13	1,98	0,85
	0.42.0	29	95	0	0	0,66	1,04	1,7	1,98	1,04
	1.15.0	28	95	0	0	0,85	1,23	1,6	1,89	1,89
	1.49.0	28	95	0	0	0,75	1,13	1,23	1,7	0,57
	2.26.0	28	95	0	0	1,04	1,13	1,7	1,98	0,94
	3.1.0	28	95	0	0	0,57	1,23	1,32	1,79	1,32
	3.35.0	28	95	0	0	0,75	1,04	1,51	1,6	1,23
	4.9.0	27	93	0	0	0,75	1,23	1,13	1,98	1,23
	4.45.0	28	93	0	0	0,85	1,13	1,32	1,89	1,13
	5.20.0	28	93	0	0	0,66	1,13	1,7	1,89	0,38
	5.55.0	27	92	0	0	0,85	1,13	1,13	1,89	0,94
	6.31.0	27	94	0,04187	0	0,75	1,04	0,75	1,79	1,79
	7.7.0	28	90	0,38404	0	0,94	1,13	1,13	1,79	1,79
	7.43.0	28	90	0,38404	0	0,75	1,04	1,13	1,79	1,32
	8.19.0	33	90	0,9325	0	0,85	0,94	1,32	1,79	2,17
	8.55.0	33	80	0,9325	0	0,66	1,04	1,32	1,79	2,55
	9.59.0	40	78	4,80381	0	0,75	0,94	1,04	1,89	2,08
	13.45.0	42	70	7,9959	0	0,85	1,13	0,94	1,98	1,13
	14.20.0	40	63	7,9959	0	0,94	1,32	0,94	1,89	0,85
	16.55.0	37	78	2,42064	0	0,94	1,04	0,75	1,79	1,51
	17.30.0	34	85	0,42694	0	0,94	1,13	1,23	1,6	1,23
	18.4.0	34	85	0,42694	0	0,94	1,13	1,7	1,98	1,6
	18.39.0	33	85	0,26149	0	0,85	1,04	1,42	1,98	2,08
	19.14.0	29	90	0,06428	0	0,94	1,04	1,51	1,89	1,89
19.49.0	30	90	0	0	0,85	1,23	1,51	1,98	1,6	
20.23.0	30	90	0	0	0,94	1,04	1,42	1,7	0,94	
20.58.0	29	90	0	0	0,94	1,13	1,51	1,89	2,36	
06/12/19	21.34.0	29	92	0	0	0,85	1,13	1,42	1,98	1,79
	22.8.0	28	92	0	0	0,85	1,32	1,42	1,79	1,42
	22.43.0	29	95	0	0	1,04	1,23	1,04	1,98	1,79
	23.18.0	29	95	0	0	0,85	1,13	1,42	1,79	1,98
	23.53.0	28	95	0	0	1,04	1,32	1,79	1,79	1,51
	0.28.0	28	95	0	0	0,75	1,04	1,32	1,89	1,32
	1.4.0	28	95	0	0	0,94	1,23	1,51	1,98	1,42
	1.38.0	28	95	0	0	1,04	1,13	1,32	1,98	1,98
	2.12.0	28	95	0	0	0,75	1,13	1,42	1,98	0,75
	2.48.0	28	95	0	0	0,85	1,23	1,32	1,89	2,08
	9.45.0	39	81	5,10337	0	0,85	1,23	1,13	1,79	1,13

DATA MONITORING ARUS BOCOR ISOLATOR										
Date	Time (Hour)	Temp. (°C)	Humidity (%)	UV mW/cm2	Rainfall mm/H	Type Insulators				
						Type A	Type B	Type C	Type D	Type E
	10.20.0	39	81	5,07321	0	0,85	1,32	1,23	1,79	1,13
	10.40.30	39	80	6,55534	0	0,85	1,13	1,04	1,79	1,13
	11.16.0	39	74	7,9959	0	0,85	1,13	1,23	1,89	1,32
	11.51.0	40	70	7,9959	0	0,94	1,13	1,51	1,98	1,04
	12.27.0	40	70	7,9959	0	1,04	1,13	1,79	1,98	0,57
	13.2.0	38	81	5,74758	0	0,85	1,04	1,42	2,08	1,51
	13.37.0	38	81	5,74758	0	1,04	1,23	1,32	1,98	1,04
	14.12.0	41	73	7,9959	0	1,04	1,13	1,23	1,89	1,98
	14.23.16	33	95	1,2776	9	1,42	0,94	1,7	1,98	1,13
	14.57.0	33	95	1,2776	9	0,75	1,13	1,32	2,08	1,42
	15.31.0	37	95	7,9959	2	1,13	1,13	1,13	2,08	1,79
	16.5.0	39	83	3,09854	0	0,75	1,04	1,42	1,98	2,17
	16.39.0	39	83	3,09854	0	1,04	1,13	1,51	1,98	1,7
	17.13.0	41	77	5,60908	0	0,66	1,13	1,89	1,98	1,98
	18.16.0	34	95	0,40059	0	0,75	1,13	1,51	1,79	0,47
	18.51.0	34	95	0,40059	0	0,85	0,94	1,6	2,08	0,94
	19.27.0	33	90	0	0	0,75	1,23	1,6	1,98	2,17
	20.2.0	32	90	0	0	0,94	1,13	1,13	1,98	1,89
	20.37.0	32	90	0	0	1,04	1,13	1,51	2,08	1,42
	21.11.0	32	92	0	0	0,94	1,13	1,51	2,08	0,94
	21.46.0	32	92	0	0	0,85	1,13	1,42	1,98	1,32
	22.22.0	30	92	0	0	0,75	1,04	1,51	2,08	1,42
	22.57.0	30	92	0	0	0,85	1,13	1,13	2,08	1,23
	23.32.0	30	91	0	0	0,85	1,13	1,04	1,98	1,42
07/12/19	0.8.0	30	91	0	0	0,94	0,94	1,51	2,08	0,57
	0.43.0	30	94	0	0	1,13	1,13	1,51	1,7	0,85
	1.20.0	30	94	0	0	1,04	1,32	1,23	1,79	1,23
	1.54.0	29	95	0	0	1,04	1,04	0,85	1,79	1,6
	2.30.0	29	95	0	0	1,04	1,13	0,94	1,6	1,32
	3.5.0	29	95	0	0	0,94	1,23	1,23	1,98	1,51
	3.39.0	29	95	0	0	0,94	1,23	1,32	1,89	1,7
	4.13.0	29	95	0	0	1,04	1,32	1,6	1,89	1,51
	4.48.0	29	95	0	0	0,94	1,13	1,42	1,79	1,7
	5.24.0	28	93	0	0	1,13	1,32	1,32	1,89	1,98
	5.58.0	28	92	0	0	0,75	1,13	1,04	1,89	1,89
	6.32.0	28	90	0	0	0,85	1,23	1,7	1,89	1,6
	7.6.0	30	90	0,42108	0	0,85	1,23	1,42	1,79	2,08
	7.40.0	32	90	0,96281	0	1,04	1,23	1,7	2,08	1,04

DATA MONITORING ARUS BOCOR ISOLATOR										
Date	Time (Hour)	Temp. (°C)	Humidity (%)	UV mW/cm2	Rainfall mm/H	Type Insulators				
						Type A	Type B	Type C	Type D	Type E
	8.16.0	32	90	0,96281	0	0,85	1,23	1,13	1,89	0,57
	8.52.0	37	90	2,91947	0	0,85	1,23	1,6	1,98	1,13
	9.27.0	39	89	3,38111	0	1,04	1,32	1,32	1,89	1,79
	10.1.0	39	85	3,49136	0	1,04	1,42	1,04	1,89	1,04
	10.35.0	39	85	3,49136	0	0,75	1,13	0,85	1,98	2,55
	11.10.0	42	74	5,55534	0	0,85	1,32	1,7	1,89	1,04
	11.45.0	44	58	7,9959	0	0,85	1,23	1,6	1,79	1,51
	12.20.0	39	80	7,9959	0	1,04	1,23	1,7	1,98	1,79
	12.55.0	43	65	7,9959	0	0,85	1,04	1,23	1,98	1,23
	13.30.0	36	90	2,00717	0	0,94	1,23	1,79	1,79	1,89
	14.5.0	36	90	2,00717	0	1,04	1,42	1,51	1,89	1,98
	14.40.0	36	92	0,80615	0	0,94	1,23	1,79	1,98	1,98
	14.55.8	36	92	0,80615	0	0,75	0,94	1,51	2,08	1,6
	15.29.0	32	90	1,10044	1	0,94	1,04	1,23	2,08	1,79
	16.4.0	32	90	0,56706	1	0,94	1,23	1,32	1,98	1,04
	16.39.0	31	95	0,86032	2	0,66	1,13	1,13	1,98	1,89
	17.13.0	31	95	0,86032	2	0,94	1,13	1,32	2,08	1,23
	17.47.0	34	95	0,85505	0	0,94	1,04	1,51	1,98	1,42
	18.21.0	33	90	0,38843	0	1,13	1,23	1,6	1,98	2,08
	18.55.0	32	90	0,0306	0	0,85	1,23	1,7	1,98	1,32
	19.30.0	32	90	0,0306	0	0,75	1,04	1,6	1,98	1,89
	22.49.0	29	90	0	0	0,85	0,94	1,42	1,98	1,32
	23.24.0	29	90	0	0	0,85	1,04	1,6	1,6	1,89
	23.59.0	29	90	0	0	0,85	1,13	1,7	1,89	1,7
08/12/19	0.34.0	29	92	0	0	0,85	1,04	1,7	2,08	1,98
	1.8.0	28	92	0	0	1,13	1,32	1,79	1,98	1,51
	1.43.0	28	93	0	0	0,75	1,13	1,6	2,08	1,7
	2.16.0	28	95	0	0	0,85	1,23	1,51	1,98	1,13
	2.51.0	28	95	0	0	0,94	1,23	1,7	1,98	1,7
	3.24.0	28	95	0	0	0,85	1,13	1,6	1,98	1,98
	4.0.0	28	95	0	0	0,75	1,23	1,51	1,79	0,85
	4.34.0	28	95	0	0	0,85	1,13	1,6	1,98	1,79
	5.9.0	28	92	0	0	0,85	1,04	1,42	2,08	1,42
	5.43.0	27	92	0	0	0,85	1,13	1,42	1,79	2,08
	6.17.0	27	92	0	0	0,94	1,04	1,32	1,98	1,23
	6.51.0	27	90	0,00381	0	0,94	1,04	1,6	1,89	2,26
	7.24.0	29	90	0,46105	0	0,85	1,23	1,23	1,98	1,7
	7.58.0	29	90	0,46105	0	0,94	1,04	1,42	1,89	0,94
	8.32.0	31	90	0,66369	0	1,04	1,23	1,6	1,98	1,89

DATA MONITORING ARUS BOCOR ISOLATOR										
Date	Time (Hour)	Temp. (°C)	Humidity (%)	UV mW/cm2	Rainfall mm/H	Type Insulators				
						Type A	Type B	Type C	Type D	Type E
	9.6.0	37	88	3,20395	0	0,94	1,13	1,23	1,79	1,51
	9.41.0	37	88	3,20395	0	1,13	1,32	1,51	1,98	1,6
	10.16.0	38	88	5,8101	0	1,13	1,32	1,51	1,79	1,79
	10.51.0	38	82	5,8101	0	0,85	0,94	1,7	1,79	1,23
	11.26.0	39	82	7,9959	0	0,75	1,13	1,7	1,98	1,42
	12.1.0	40	71	7,9959	0	0,94	1,13	1,23	1,89	1,98
	12.36.0	41	71	7,9959	0	1,23	1,42	1,13	1,6	0,57
	13.11.0	41	71	7,9959	0	1,23	1,42	1,42	2,08	2,74
	13.46.0	36	91	1,08624	0	1,23	1,32	1,42	1,98	1,51
	14.21.0	36	92	7,9959	8	1,23	1,32	1,7	1,98	1,23
	14.56.0	31	90	1,33426	0	1,13	1,23	1,51	1,89	1,7
	15.31.0	32	90	2,08287	0	0,94	1,32	1,6	1,89	1,98
	16.7.0	37	90	3,37086	0	1,13	1,13	1,42	1,89	1,04
	16.42.0	36	94	2,63836	2	0,94	1,04	1,79	2,08	1,7
	17.16.0	36	94	2,63836	2	0,94	1,13	1,79	1,98	1,6
	17.51.0	34	90	0,67687	0	0,75	1,04	1,51	1,98	1,7
	18.27.0	34	90	0,67687	0	0,75	1,13	1,6	1,98	1,89
	19.2.0	34	90	0,57775	0	1,13	1,23	1,6	2,08	1,32
	19.54.0	31	92	0	0	0,94	1,04	1,7	1,98	1,13
	20.30.0	30	92	0	0	0,94	1,23	1,23	1,89	1,79
	21.6.0	30	92	0	0	0,75	1,04	1,79	1,89	1,51
	21.41.0	30	92	0	0	0,94	1,04	1,32	1,51	1,6
	22.16.0	30	92	0	0	0,85	1,04	1,7	2,08	1,89
	22.51.0	29	93	0	0	0,94	1,04	1,32	1,89	1,98
	23.25.0	29	93	0	0	0,66	1,04	1,6	1,7	1,79
09/12/19	0.0.0	29	95	0	0	1,04	1,04	1,51	1,98	1,98
	0.35.0	29	95	0	0	0,85	1,04	1,7	1,98	2,36
	1.10.0	28	95	0	0	1,23	1,13	1,6	1,98	0,75
	1.44.0	28	95	0	0	0,94	1,04	1,7	1,98	2,08
	2.17.0	28	95	0	0	0,94	1,23	1,42	1,79	2,26
	2.51.0	28	95	0	0	0,94	1,23	1,7	1,98	1,51
	3.25.0	28	95	0	0	0,94	1,23	1,79	1,98	1,51
	4.0.0	27	95	0	0	0,85	1,23	1,6	1,79	1,32
	4.34.0	28	93	0	0	0,94	1,13	1,7	1,89	1,23
	5.8.0	28	93	0	0	0,94	1,23	1,51	1,98	1,89
	5.43.0	27	93	0	0	1,04	1,23	1,51	1,6	1,42
	6.20.0	27	90	0	0	0,85	1,13	1,6	1,98	1,32
	6.56.0	27	90	0,01171	0	0,94	1,13	1,7	1,89	1,23
	7.32.0	30	90	0,62079	0	0,85	1,04	1,7	1,89	1,7

DATA MONITORING ARUS BOCOR ISOLATOR										
Date	Time (Hour)	Temp. (°C)	Humidity (%)	UV mW/cm2	Rainfall mm/H	Type Insulators				
						Type A	Type B	Type C	Type D	Type E
	8.6.0	30	90	0,62079	0	0,85	1,04	1,42	1,89	1,23
	8.41.0	32	90	0,84378	0	1,04	1,13	1,7	1,89	1,79
	9.18.0	36	90	1,92621	0	0,85	1,13	1,32	1,98	2,17
	9.53.0	37	88	3,38697	0	0,94	1,04	1,42	1,98	1,42
	10.27.0	42	71	6,64758	0	0,85	1,13	1,13	1,98	1,04
	11.2.0	38	75	3,17657	0	1,04	1,32	1,42	1,79	2,36
	11.37.4	42	62	7,94627	0	0,94	1,13	1,13	1,79	1,04
	12.12.0	42	63	7,9959	0	0,94	1,13	1,13	1,51	1,89
	12.47.0	38	82	2,75739	0	0,75	1,13	1,23	1,89	1,89
	13.23.0	38	82	2,75739	0	0,94	1,23	1,32	1,89	1,32
	13.58.0	38	86	7,9959	0	1,13	1,04	1,51	2,08	1,79
	14.33.0	35	87	1,08097	0	0,94	1,23	1,79	1,98	1,23
	15.8.0	29	88	0,49327	0	0,75	1,13	1,32	1,89	1,04
	15.53.0	31	88	1,52123	0	0,85	1,23	1,51	1,98	1,7
	10/12/19	16.27.0	33	90	1,23909	0	0,85	1,04	1,23	1,98
17.2.0		32	90	0,97701	0	0,94	1,13	1,79	1,98	1,79
17.37.0		33	90	0,95695	0	0,94	1,32	1,32	1,89	2,17
18.11.0		33	90	0,95695	0	0,85	1,13	1,7	1,89	1,13
18.46.0		34	90	0,11215	0	0,85	1,13	1,6	1,98	0,75
19.21.0		31	92	0	0	0,85	1,23	1,6	1,89	1,6
19.56.0		31	92	0	0	0,94	1,13	1,32	1,89	2,74
20.31.0		30	92	0	0	0,94	1,13	1,32	1,89	2,26
21.7.0		30	93	0	0	0,94	1,04	1,23	1,98	1,23
21.42.0		29	93	0	0	0,75	1,13	1,7	1,89	1,89
22.16.0		29	93	0	0	0,94	1,04	1,23	1,89	1,32
22.51.0		29	93	0	0	0,85	1,23	1,32	1,79	1,13
23.26.0		29	94	0	0	0,75	1,23	1,32	1,89	0,75
0.1.0		28	95	0	0	0,85	1,04	1,42	1,89	1,23
0.36.0		28	95	0	0	0,94	1,04	1,51	1,89	1,6
1.11.0		29	95	0	0	0,94	1,13	1,42	1,98	1,51
8.43.0		42	80	0	0	0,85	1,13	1,79	1,98	1,6
9.17.0		38	75	0	0	1,13	1,04	1,32	2,08	1,32
9.52.0		38	5	0	0	0,94	1,13	1,6	1,98	1,89
10.27.0		38	75	0	0	0,75	1,23	1,51	1,89	1,79
11.2.0		39	75	0	0	0,85	1,13	1,6	1,98	1,98
11.38.0		39	70	0	0	0,75	1,13	1,79	2,08	1,32
12.13.0		40	70	0	0	1,04	1,23	1,7	1,89	1,89
12.48.0	41	70	0	0	0,85	1,23	1,7	1,98	1,42	
13.23.0	41	70	0	0	1,13	1,04	1,79	2,08	1,32	

DATA MONITORING ARUS BOCOR ISOLATOR										
Date	Time (Hour)	Temp. (°C)	Humidity (%)	UV mW/cm2	Rainfall mm/H	Type Insulators				
						Type A	Type B	Type C	Type D	Type E
	13.58.0	40	70	0	0	0,94	1,42	1,7	1,98	1,98
	14.11.55	42	77	0	0	1,42	1,13	1,42	1,98	1,51
	14.17.56	35	90	0,08726	1	1,7	1,13	1,42	2,08	2,26
	14.37.48	24	95	0,26735	0	1,51	1,04	1,89	1,98	1,98
	14.45.14	24	95	0,31816	8	0,94	0,94	1,6	1,98	1,89
	15.20.0	24	95	0,31816	8	0,94	1,04	0,85	1,89	1,32
	15.55.0	25	95	0,3757	0	0,94	1,23	1,51	1,89	1,7
	16.30.0	26	95	0,47628	0	0,94	1,23	1,42	1,89	1,23
	17.4.0	30	90	2,01362	0	1,04	1,32	1,13	1,79	1,98
	17.39.0	30	90	2,01362	0	0,85	1,32	1,13	1,98	0,94
	18.13.0	30	90	2,01362	0	0,85	1,04	1,7	1,89	1,51
	18.48.0	30	90	2,01362	0	0,85	1,23	1,13	1,98	1,32
	19.23.0	30	90	2,01362	0	1,04	1,23	1,42	2,08	1,79
	19.58.0	30	90	2,01362	0	0,85	1,23	1,7	1,98	1,98
	20.33.0	30	90	2,01362	0	0,94	1,23	1,32	1,98	1,42
	21.7.0	30	92	2,01362	0	0,57	1,23	1,79	1,79	2,26
	21.42.0	30	92	2,01362	0	0,85	1,23	1,23	1,89	0,85
	22.17.0	30	92	2,01362	0	1,04	1,13	1,23	1,89	1,23
	22.52.0	30	92	2,01362	0	0,94	1,23	1,23	1,98	1,23
	23.28.0	30	92	2,01362	0	1,04	1,23	1,6	1,89	0,94
11/12/19	0.4.0	30	95	2,01362	0	1,32	1,42	1,6	1,89	0,94
	0.39.0	30	95	2,01362	0	1,23	1,32	1,51	1,98	1,7
	1.14.0	30	95	2,01362	0	1,13	1,23	1,42	1,89	1,98
	1.49.0	30	95	2,01362	0	1,23	1,51	1,23	1,98	1,32
	2.24.0	30	95	2,01362	0	1,23	1,42	1,79	1,98	1,98
	3.1.0	30	95	2,01362	0	1,32	1,42	1,7	1,98	1,04
	3.36.0	30	92	2,01362	0	1,23	1,42	1,7	1,98	1,04
	4.10.0	30	92	2,01362	0	1,13	1,23	0,75	1,89	1,42
	4.45.0	30	90	2,01362	0	1,32	1,32	0,28	1,89	1,89
	5.20.0	30	90	2,01362	0	1,23	1,42	1,23	1,89	1,04
	5.55.0	30	90	2,01362	0	1,32	1,51	0,85	1,98	1,32
	6.30.0	30	90	2,01362	0	1,13	1,32	1,13	1,89	1,42
	7.5.0	30	90	2,01362	0	1,04	1,42	1,23	1,89	1,42
	7.39.0	30	95	2,01362	0	1,04	1,23	1,04	1,89	1,79
	8.13.0	30	87	2,01362	0	0,75	1,13	0,85	1,79	0,66
	8.47.0	30	87	2,01362	0	0,75	1,13	0,85	1,89	1,04
	9.21.0	30	87	2,01362	0	0,94	1,13	0,85	1,89	0,85
	9.55.0	30	80	2,01362	0	0,57	1,04	1,32	1,98	1,32
	10.30.0	30	80	2,01362	0	0,75	1,13	1,42	1,98	1,32

DATA MONITORING ARUS BOCOR ISOLATOR										
Date	Time (Hour)	Temp. (°C)	Humidity (%)	UV mW/cm2	Rainfall mm/H	Type Insulators				
						Type A	Type B	Type C	Type D	Type E
	11.5.0	30	80	2,01362	0	0,66	1,13	0,85	2,08	1,42
	11.40.0	30	80	2,01362	0	0,57	1,13	1,13	1,98	1,79
	12.14.0	30	80	2,01362	0	0,66	1,13	1,79	1,89	0,94
	12.48.0	30	70	2,01362	0	0,85	1,13	1,32	1,98	1,7
	13.22.0	30	70	2,01362	0	0,85	1,04	1,32	1,79	1,04
	13.57.0	30	70	2,01362	0	1,13	1,23	0,66	1,79	0,75
	14.31.0	30	70	2,01362	0	0,94	1,13	1,23	1,42	2,17
	15.6.0	30	70	2,01362	0	0,94	1,23	1,42	1,98	1,7
	15.41.0	30	70	2,01362	0	0,85	1,04	1,7	1,79	1,89
	16.16.0	30	75	2,01362	0	0,85	1,13	1,7	1,98	1,51
	16.51.0	30	75	2,01362	0	0,75	1,13	1,51	1,89	1,42
	17.26.0	30	75	2,01362	0	0,85	1,04	0,85	1,89	0,57
	21.26.0	29	80	0	0	0,85	1,13	1,32	1,89	1,6
	22.2.0	29	88	0	0	0,85	1,04	1,42	1,89	2,08
	22.37.0	29	88	0	0	0,94	1,13	1,7	1,98	1,89
	23.12.0	29	95	0	0	1,04	1,13	1,79	1,98	1,6
	23.47.0	29	95	0	0	1,04	1,32	1,7	1,89	1,32
12/12/19	0.22.0	28	95	0	0	1,13	1,23	1,7	1,89	1,51
	0.57.0	28	95	0	0	0,85	1,13	1,79	1,98	2,17
	1.33.0	28	95	0	0	0,94	1,13	1,7	1,98	1,32
	2.9.0	28	95	0	0	0,94	1,13	1,7	1,89	0,85
	2.44.0	27	95	0	0	0,94	1,13	1,7	1,98	1,51
	3.19.0	27	95	0	0	0,94	0,94	1,6	1,89	1,79
	3.54.0	27	95	0	0	1,04	1,23	1,7	2,08	1,23
	4.29.0	27	95	0	0	1,04	0,94	1,6	1,98	2,26
	5.4.0	27	96	0	0	1,04	1,32	1,7	1,89	1,04
	5.38.0	27	95	0	0	1,04	1,23	1,6	1,98	2,17
	6.13.0	27	95	0,00044	0	0,94	1,04	1,42	1,89	0,57
	6.48.0	27	95	0,18302	0	1,04	1,13	1,6	1,98	2,36
	7.24.0	28	92	0,50307	0	0,85	1,04	1,23	1,89	1,32
	8.33.0	33	92	2,10234	0	0,94	1,04	1,13	1,79	1,79
	9.8.0	38	90	2,84671	0	0,94	1,13	1,13	1,98	1,42
	9.43.0	38	90	3,48316	0	0,94	1,04	1,42	1,79	2,26
	10.18.0	38	87	3,48316	0	0,94	1,32	1,42	1,98	1,79
	10.54.0	40	87	5,83646	0	0,85	1,23	1,51	1,98	0,85
	11.29.0	39	85	3,87496	0	0,85	1,13	1,51	1,89	1,32
	12.5.0	39	85	3,87496	0	1,04	1,23	1,79	1,98	1,79
	12.41.0	40	80	4,54993	0	0,94	1,32	1,7	1,98	1,32
	13.16.0	37	94	4,05798	0	0,85	1,13	1,51	1,89	0,94

DATA MONITORING ARUS BOCOR ISOLATOR										
Date	Time (Hour)	Temp. (°C)	Humidity (%)	UV mW/cm2	Rainfall mm/H	Type Insulators				
						Type A	Type B	Type C	Type D	Type E
	13.51.0	37	94	4,05798	0	0,75	0,94	1,32	1,89	1,6
	14.26.0	38	84	7,9959	0	0,85	1,13	1,7	1,98	1,98
	15.1.0	37	87	7,98082	0	0,85	1,13	1,6	1,89	1,89
	15.36.0	38	91	3,82914	0	1,04	1,13	1,6	1,89	1,98
	16.11.0	38	86	4,40542	0	0,75	1,13	1,04	1,89	1,6
	16.46.0	34	90	0,53192	0	1,04	1,13	1,32	1,7	1,98
	17.21.0	33	90	0,82518	0	0,85	1,04	0,85	1,89	1,7
	17.56.0	32	90	0,43821	0	1,04	1,13	1,32	1,79	2,74
	18.31.0	32	90	0,43821	0	0,94	1,04	1,23	1,79	1,13
	19.6.0	31	90	0,00293	0	0,85	1,13	1,6	1,7	1,23
	19.41.0	31	90	0,00293	0	0,75	1,23	1,6	1,79	0,85
	20.16.0	31	90	0	0	0,75	1,13	1,42	1,79	1,13
	20.51.0	31	92	0	0	0,94	1,13	1,23	2,08	1,32
	21.26.0	30	92	0	0	0,94	1,04	1,7	1,79	1,79
	22.1.0	29	92	0	0	1,04	1,23	0,94	1,89	2,17
	22.35.0	29	92	0	0	1,04	1,13	1,23	1,79	2,26
	23.10.0	28	94	0	0	0,85	1,23	0,66	1,89	2,08
	23.45.0	28	95	0	0	1,04	1,23	1,79	1,79	2,45
13/12/19	0.20.0	28	95	0	0	0,85	1,32	1,6	1,98	1,7
	0.55.0	28	95	0	0	0,94	1,23	1,7	1,98	1,89
	1.29.0	28	95	0	0	0,85	1,13	0,85	2,08	1,79
	2.4.0	28	95	0	0	0,85	1,04	0,85	1,79	2,26
	2.39.0	28	95	0	0	0,75	1,32	1,04	1,89	1,7
	3.14.0	28	95	0	0	0,66	1,13	1,6	1,89	2,64
	3.49.0	28	95	0	0	0,75	1,23	1,13	1,89	1,23
	4.23.0	28	95	0	0	0,75	1,04	1,23	1,79	1,6
	4.58.0	27	85	0	0	0,85	1,23	1,23	1,89	2,17
	5.33.0	27	85	0	0	0,85	1,23	1,23	1,98	1,23
	6.8.0	27	80	0	0	0,94	1,13	1,04	1,89	2,08
	6.43.0	27	81	0	0	0,66	0,94	0,85	1,98	2,08
	7.17.0	28	81	0,41332	0	0,94	1,13	0,94	1,89	2,08
	7.52.0	28	76	0,41332	0	0,66	1,04	1,32	1,79	2,08
	8.27.0	29	63	0,82914	0	0,75	1,23	1,13	1,89	1,79
	9.2.0	32	60	1,36603	0	0,85	1,13	1,13	1,89	1,51
	9.37.0	35	62	2,17555	0	0,85	1,13	0,94	1,79	1,7
	10.12.0	40	62	4,89356	1	0,85	1,13	1,32	1,51	1,23
	10.47.0	41	72	4,72562	13	0,94	1,04	1,23	1,79	1,79
	11.22.0	42	72	7,9959	12	0,75	1,13	0,75	1,79	1,89
	11.56.0	38	66	6,92035	12	0,85	1,32	1,13	1,79	1,6

DATA MONITORING ARUS BOCOR ISOLATOR										
Date	Time (Hour)	Temp. (°C)	Humidity (%)	UV mW/cm2	Rainfall mm/H	Type Insulators				
						Type A	Type B	Type C	Type D	Type E
	12.31.0	38	63	6,92035	12	0,85	1,23	0,75	1,89	1,04
	13.7.0	45	75	7,9959	0	0,85	1,13	0,85	1,89	1,51
	13.42.0	41	80	7,9959	0	1,04	1,13	1,51	1,98	1,23
	14.17.0	37	80	5,28551	0	0,85	1,13	1,23	1,98	1,13
	14.52.0	34	90	1,00717	0	0,94	1,13	1,42	1,51	1,32
	15.48.0	31	92	0,56559	2	0,94	1,23	1,79	1,98	1,23
	16.23.0	31	90	0,56852	0	0,94	1,13	1,7	1,89	1,32
	16.58.0	28	90	0,23558	0	0,85	1,04	1,51	2,08	1,04
	17.32.0	28	90	0,68521	8	0,94	1,23	1,23	1,98	0,28
	18.7.0	28	90	0,68521	8	0,94	1,23	1,42	1,98	0,66
	18.42.0	29	90	0,43821	0	0,85	1,04	1,6	1,89	0,85
	19.17.0	29	95	0,08785	3	0,94	1,04	1,6	1,89	1,89
	19.52.0	29	95	0	0	0,94	1,13	1,42	1,89	1,79
	20.26.0	28	95	0	0	0,94	1,13	1,23	1,89	1,51
	21.1.0	28	95	0	0	0,75	1,13	1,42	1,89	0,85
	21.36.0	29	95	0	0	0,94	1,23	1,6	1,89	0,47
	22.11.0	28	95	0	0	0,85	1,04	1,51	1,89	0,85
	22.46.0	28	95	0	0	1,04	1,23	0,75	1,98	1,6
	23.21.0	28	95	0	0	0,57	1,32	1,32	1,79	1,98
	23.55.0	28	95	0	0	0,75	1,13	1,04	1,89	1,98
14/12/19	0.30.0	28	95	0	0	0,75	1,13	1,6	1,79	1,89
	1.5.0	28	95	0	0	0,47	1,04	1,04	1,79	1,79
	1.40.0	28	92	0	0	0,85	1,13	1,32	1,79	1,23
	2.15.0	28	92	0	0	0,57	1,13	0,94	1,89	1,6
	2.50.0	28	92	0	0	0,85	1,04	1,04	1,79	0,94
	3.25.0	28	90	0	0	0,94	1,13	0,85	1,79	1,42
	4.0.0	28	90	0	0	0,94	1,13	1,04	1,79	1,23
	4.35.0	28	90	0	0	1,04	1,13	1,04	1,79	1,51
	5.10.0	28	90	0	0	0,75	1,13	0,85	1,89	1,42
	5.45.0	28	90	0	0	0,66	1,23	1,23	1,79	0,85
	6.20.0	28	90	0	0	0,85	1,13	0,94	1,98	2,36
	6.55.0	28	90	0,141	0	0,85	1,13	1,42	1,79	1,13
	7.30.0	29	90	0,88184	0	0,85	1,13	0,28	1,89	1,79
	8.5.0	29	88	0,88184	0	0,75	1,13	1,04	1,79	1,7
	8.40.0	30	88	2,88521	0	0,85	1,04	1,04	1,79	2,08
	9.15.0	30	88	2,88521	0	0,75	1,13	1,13	1,79	1,04
	9.50.0	32	88	4,37818	0	0,85	1,04	1,32	1,89	1,42
	10.25.0	34	88	3,0795	0	0,85	1,23	0,94	1,89	1,6
	11.0.0	38	75	7,9959	0	0,66	1,13	0,94	1,79	1,98

DATA MONITORING ARUS BOCOR ISOLATOR										
Date	Time (Hour)	Temp. (°C)	Humidity (%)	UV mW/cm2	Rainfall mm/H	Type Insulators				
						Type A	Type B	Type C	Type D	Type E
	11.35.0	36	75	7,9959	0	0,94	1,13	0,85	1,79	0,94
	12.10.0	36	73	7,9959	0	0,85	1,13	1,6	1,79	0,75
	12.45.0	37	73	3,26442	0	0,85	1,23	1,79	1,89	0,75
	13.20.0	39	76	7,9959	0	0,94	1,32	1,32	2,08	1,13
	13.55.0	41	82	7,9959	0	0,85	1,23	1,7	1,98	0,94
	14.30.0	36	75	2,39078	0	0,85	1,13	1,6	1,79	1,23
	15.5.0	36	75	2,39078	0	0,94	1,04	1,13	1,98	1,79
	15.40.0	35	75	2,60556	0	0,94	1,13	1,51	1,98	1,7
	16.15.0	34	75	1,41669	0	0,94	1,04	1,51	1,89	1,51
	16.50.0	33	75	1,23075	0	1,04	1,23	1,7	1,89	1,23
	17.25.0	34	75	0,58067	0	0,85	1,13	1,51	2,08	1,13
	18.0.0	34	95	0,57877	0	0,94	1,32	1,23	1,98	1,32
	18.35.0	32	70	0,37965	0	0,94	1,04	1,7	2,08	1,79
	19.10.0	31	70	0,1019	0	0,94	1,04	1,6	1,89	1,42
	19.45.0	31	70	0	0	0,94	1,13	1,42	1,98	1,04
	20.20.0	30	80	0	0	0,94	1,23	1,6	1,98	1,79
	20.55.0	30	80	0	0	0,94	1,23	0,94	1,89	1,51
	21.30.0	30	80	0	0	0,85	1,32	1,13	1,98	1,23
	22.5.0	29	90	0	0	0,85	1,04	1,79	1,98	2,26
	22.40.0	29	90	0	0	0,94	1,13	1,6	1,98	1,23
	23.15.0	29	90	0	0	0,85	1,04	1,79	1,89	2,08
	23.50.0	29	90	0	0	0,75	1,13	1,32	1,89	1,04
15/12/19	0.25.0	29	95	0	0	0,94	1,13	1,6	1,89	1,13
	1.0.0	29	95	0	0	1,04	1,13	1,6	1,79	1,04
	1.35.0	29	95	0	0	0,85	1,04	1,51	1,89	1,23
	2.9.0	29	95	0	0	0,85	1,23	1,04	1,98	1,13
	2.44.0	28	95	0	0	1,04	1,32	1,32	1,98	1,13
	3.18.0	28	95	0	0	0,85	1,23	1,23	1,89	1,51
	3.53.0	28	95	0	0	0,85	1,04	1,51	1,79	1,23
	4.27.0	28	95	0	0	0,94	1,04	1,32	1,79	0,85
	5.2.0	28	90	0	0	0,85	1,23	1,04	1,89	2,08
	5.36.0	28	90	0	0	0,85	1,23	1,6	1,89	1,7
	6.10.0	28	85	0	0	0,38	1,04	1,7	1,7	1,51
	6.45.0	28	85	0	0	0,75	1,13	1,04	1,89	0,94
	7.20.0	28	80	0,08829	0	0,75	1,04	1,23	1,89	0,75
	7.55.0	29	81	0,38214	0	0,94	1,13	1,6	1,6	1,23
	8.30.0	32	81	0,69151	0	0,85	1,04	1,32	1,89	1,79
	9.4.0	38	76	3,31625	0	0,57	1,13	0,85	1,79	1,6
	9.38.0	40	63	3,91698	0	0,85	1,13	1,32	1,79	1,13

DATA MONITORING ARUS BOCOR ISOLATOR										
Date	Time (Hour)	Temp. (°C)	Humidity (%)	UV mW/cm2	Rainfall mm/H	Type Insulators				
						Type A	Type B	Type C	Type D	Type E
	10.13.0	40	60	3,91698	0	0,85	1,04	1,6	1,7	1,23
	10.47.0	40	62	2,54217	0	0,85	1,23	1,51	1,79	0,75
	11.22.0	35	62	1,12679	0	0,85	1,13	1,13	1,79	1,6
	11.56.0	35	72	1,12679	0	0,57	1,04	1,6	1,79	1,7
	12.31.0	37	72	2,73982	0	0,85	1,13	1,42	1,79	0,66
	13.6.0	38	66	3,85695	0	0,75	1,23	1,51	1,89	1,6
	13.41.0	37	63	7,9959	0	0,66	1,13	1,6	1,89	1,42
	14.17.0	37	75	7,9959	0	0,66	0,94	1,51	1,98	1,6
	14.52.0	36	80	2,41479	0	0,85	1,04	1,6	1,98	1,6
	15.27.0	35	80	1,33031	0	0,85	1,13	1,6	1,98	0,75
	16.2.0	32	95	0,49136	0	0,75	1,04	1,79	1,89	1,42
	16.37.0	32	95	0,49136	0	0,85	0,94	1,32	1,98	0,57
	17.12.0	28	95	0,19327	2	0,75	1,04	1,42	1,79	0,94
	17.47.0	28	95	0,16149	0	0,47	1,04	1,6	1,89	1,23
	18.22.0	28	95	0,16149	0	0,57	1,13	1,32	1,7	1,04
	18.57.0	28	95	0,06779	2	0,75	1,04	1,32	1,89	1,51
	19.32.0	28	95	0,06779	2	1,04	1,04	0,94	1,79	0,94
	20.7.0	28	92	0	0	0,94	1,13	1,04	1,79	0,66
	20.42.0	28	92	0	0	0,85	1,13	0,75	1,89	0,94
	21.17.0	28	92	0	0	1,23	1,42	1,7	2,08	1,13
	21.52.0	28	92	0	0	1,04	1,42	1,04	1,79	0,85
	22.26.0	28	94	0	0	1,32	1,42	1,23	1,89	1,32
	23.1.0	28	94	0	0	0,85	1,13	1,32	1,79	1,23
	23.35.0	28	94	0	0	0,85	1,04	0,75	1,79	1,7
16/12/19	0.9.0	28	94	0	0	1,13	1,32	0,75	1,89	1,89
	0.44.0	28	94	0	0	1,13	1,32	0,94	1,89	1,6
	1.19.0	27	95	0	0	1,23	1,42	1,32	1,79	1,6
	1.54.0	27	95	0	0	0,85	1,32	1,04	1,98	0,85
	3.2.0	27	95	0	0	0,85	1,42	1,04	1,79	1,42
	3.36.0	27	95	0	0	1,04	1,32	1,32	1,89	2,45
	4.12.0	27	95	0	0	0,75	1,04	1,04	1,89	1,13
	4.47.0	27	95	0	0	1,13	1,42	1,32	1,89	1,42
	5.22.0	27	95	0	0	0,94	1,04	1,32	1,89	2,55
	5.57.0	27	95	0	0	0,75	0,94	1,6	1,79	1,98
	6.31.0	26	92	0,01508	0	0,75	1,13	1,7	1,98	1,32
	7.5.0	27	92	0,35373	0	0,94	1,13	1,13	1,79	0,94
	7.40.0	29	92	0,56018	0	0,94	1,23	1,32	1,79	1,6
	8.15.0	29	92	0,56018	0	1,04	1,13	1,42	1,79	1,98
	8.50.0	30	92	0,58799	0	0,85	1,13	1,04	1,89	1,89

DATA MONITORING ARUS BOCOR ISOLATOR										
Date	Time (Hour)	Temp. (°C)	Humidity (%)	UV mW/cm2	Rainfall mm/H	Type Insulators				
						Type A	Type B	Type C	Type D	Type E
	9.26.0	38	90	4,28536	0	0,94	1,13	1,32	1,89	1,51
	10.1.0	40	88	5,41142	0	0,94	1,13	1,32	1,89	1,7
	10.35.0	40	88	5,41142	0	0,66	1,04	1,42	1,79	2,08
	11.10.0	41	85	6,71449	0	1,04	1,23	1,6	1,89	0,85
	11.45.0	39	85	7,9959	0	0,75	1,04	1,51	1,89	1,6
	12.20.0	42	71	7,9959	0	0,85	1,13	1,04	1,79	1,6
	12.56.0	37	87	2,89605	0	0,85	1,13	1,32	1,79	1,23
	13.30.0	38	88	4,1981	0	0,94	1,13	1,04	1,89	1,6
	14.5.0	38	88	3,19268	0	0,57	1,13	0,85	1,79	2,36
	14.40.0	38	88	7,9959	0	0,47	1,04	1,23	1,79	1,89
	15.15.0	39	88	2,48023	0	0,75	1,04	1,13	1,79	1,13
	15.50.0	33	90	0,51186	0	0,85	1,04	1,04	1,89	2,45
	16.25.0	31	90	0,347	2	0,75	1,13	1,23	1,7	1,6
	17.0.0	29	92	0,08638	1	0,85	1,04	0,94	1,79	0,66
	17.35.0	29	92	0,08638	1	0,94	1,13	0,66	1,79	1,13
	18.9.0	29	92	0,22343	0	0,94	1,04	0,94	1,79	1,7
	18.44.0	29	92	0,22343	0	0,66	1,04	1,51	1,79	1,42
	19.19.0	29	90	0,01742	0	0,85	1,04	1,32	1,79	1,04
	19.55.0	29	90	0	0	0,85	1,13	1,42	1,89	0,94
	20.30.0	28	90	0	0	0,57	1,13	0,85	1,79	1,13
	21.5.0	28	92	0	0	0,66	1,23	1,6	1,89	1,13
	21.40.0	28	92	0	0	0,66	1,23	0,47	1,79	1,6
	22.15.0	28	93	0	0	0,94	1,04	1,13	1,89	2,08
	22.50.0	28	95	0	0	0,57	1,13	1,42	1,89	1,23
	23.25.0	28	95	0	0	0,75	1,04	1,04	1,89	1,32
17/12/19	0.1.0	28	95	0	0	0,85	1,13	0,75	1,79	1,23
	0.36.0	27	95	0	0	0,85	1,32	1,32	1,79	1,32
	1.11.0	28	95	0	0	0,85	1,23	1,32	1,89	1,13
	1.46.0	28	95	0	0	0,85	1,04	1,23	1,89	1,23
	2.20.0	28	95	0	0	0,94	1,04	0,94	1,89	2,08
	2.55.0	28	95	0	0	0,85	1,04	0,47	1,79	1,32
	3.30.0	27	95	0	0	0,85	1,04	1,6	1,89	1,13
	4.4.0	27	95	0	0	0,75	1,23	1,23	1,98	1,6
	4.38.0	27	95	0	0	0,85	1,13	1,04	1,89	1,7
	5.12.0	27	95	0	0	0,94	1,23	0,85	1,89	2,17
	5.47.0	27	85	0	0	0,85	1,23	1,23	1,89	2,36
	6.22.0	27	85	0,00234	0	0,94	1,04	1,23	1,89	1,89
	6.57.0	27	80	0,28536	0	1,04	1,13	1,42	1,79	1,13
	7.32.0	30	81	0,62518	0	0,85	0,94	1,13	1,89	1,7

DATA MONITORING ARUS BOCOR ISOLATOR										
Date	Time (Hour)	Temp. (°C)	Humidity (%)	UV mW/cm2	Rainfall mm/H	Type Insulators				
						Type A	Type B	Type C	Type D	Type E
	8.7.0	31	81	1,06925	0	0,75	1,13	0,85	1,89	1,23
	8.42.0	31	76	1,06925	0	0,85	1,04	0,85	1,89	0,94
	9.18.0	35	63	2,97218	0	0,85	1,13	0,75	1,79	1,51
	9.53.0	36	60	3,92284	0	0,85	1,23	1,04	1,89	1,32
	10.27.0	36	62	3,92284	0	0,75	1,04	1,6	1,89	0,85
	11.1.0	37	62	4,77101	0	0,57	1,13	1,04	1,89	0,75
	11.37.0	38	72	7,9959	0	0,75	1,23	1,51	1,89	0,66
	12.11.0	35	72	2,62958	0	0,85	1,23	1,51	1,79	1,13
	12.45.0	36	66	7,9959	0	0,75	1,13	1,13	1,7	1,7
	13.19.0	36	63	7,9959	0	1,04	1,04	1,51	1,89	2,26
	14.12.0	34	75	4,53133	0	0,66	1,23	1,04	1,89	1,13
	14.47.0	34	80	4,53133	0	0,85	1,04	1,6	1,98	1,13
	15.22.0	36	80	7,9959	0	1,04	1,04	1,04	1,79	1,7
	15.57.0	35	85	2,47233	0	0,85	1,04	1,6	1,89	1,32
	16.31.0	30	90	0,75783	1	0,75	1,32	1,51	1,89	1,32
	17.6.0	30	90	0,75783	1	0,94	1,13	1,42	1,98	1,32
	17.41.0	33	90	1,09356	0	0,94	1,04	1,42	1,89	0,47
	18.15.0	31	90	0,13119	0	0,85	1,13	1,04	1,79	1,51
	18.50.0	31	90	0,13119	0	1,04	1,04	1,42	1,79	1,42
	19.24.0	28	92	0	0	0,85	1,13	1,51	1,89	1,51
	19.59.0	28	92	0	0	1,04	1,13	1,7	1,79	2,08
	20.34.0	28	92	0	0	1,04	1,13	1,7	1,79	1,32
	21.9.0	28	92	0	0	0,94	1,32	1,32	1,79	1,42
	21.44.0	28	93	0	0	0,85	1,23	1,32	1,89	1,98
	22.19.0	28	93	0	0	0,85	1,13	1,42	1,89	1,7
	22.54.0	28	94	0	0	1,23	1,51	1,6	1,79	1,13
	23.28.0	28	93	0	0	1,23	1,42	1,04	1,98	0,75
18/12/19	0.2.0	28	93	0	0	1,32	1,51	1,51	1,79	1,79
	0.38.0	28	94	0	0	1,32	1,42	1,6	1,79	0,94
	1.14.0	28	93	0	0	1,23	1,42	1,42	1,98	1,6
	1.49.0	27	95	0	0	1,23	1,51	0,94	1,79	1,7
	2.23.0	27	95	0	0	1,32	1,32	1,23	1,79	1,79
	2.58.0	27	95	0	0	1,32	1,51	1,13	1,79	0,85
	3.33.0	27	95	0	0	1,23	1,04	1,42	1,79	0,94
	4.8.0	27	95	0	0	0,94	1,13	1,51	1,89	1,6
	4.43.0	27	95	0	0	1,13	1,51	1,42	1,89	1,79
	5.18.0	27	95	0	0	1,23	1,42	1,6	1,79	0,38
	5.53.0	27	95	0	0	0,94	1,13	1,13	1,79	1,13
	6.28.0	27	92	0,01025	0	0,85	1,13	1,42	1,89	1,23
	7.3.0	27	92	0,01025	0	0,85	1,04	1,32	1,79	2,17

DATA MONITORING ARUS BOCOR ISOLATOR										
Date	Time (Hour)	Temp. (°C)	Humidity (%)	UV mW/cm2	Rainfall mm/H	Type Insulators				
						Type A	Type B	Type C	Type D	Type E
	7.39.0	28	90	0,49092	0	0,85	1,13	1,42	1,79	1,89
	8.13.0	28	90	0,49092	0	0,94	1,13	1,51	1,98	1,23
	8.48.0	31	90	0,70615	0	0,94	1,04	1,6	1,79	0,66
	9.23.0	34	90	2,24876	0	0,85	1,13	1,32	1,79	2,55
	9.58.0	36	85	4,85403	0	0,94	1,04	1,32	1,79	1,7
	10.32.0	39	86	7,78375	0	0,85	1,23	0,85	1,98	1,7
	11.8.0	37	80	7,9959	0	0,94	1,04	1,23	1,79	1,32
	11.42.0	37	80	7,9959	0	0,94	1,13	1,51	1,89	0,85
	12.16.0	37	80	6,35081	0	1,32	1,42	1,23	1,79	1,7
	12.50.0	36	80	3,19619	0	1,04	1,23	1,32	1,79	1,6
	13.25.0	37	80	7,9959	0	1,23	1,42	1,7	1,98	0,94
	13.59.0	37	80	7,9959	0	1,32	1,51	1,51	1,89	2,26
	14.34.0	35	75	3,55432	0	0,85	1,32	0,85	1,89	0,85
	15.9.0	35	75	2,93455	0	0,85	1,23	1,51	2,08	1,23
	15.44.0	37	75	5,43485	0	0,85	1,23	1,7	1,98	1,23
	16.18.0	37	75	5,43485	0	0,94	1,04	1,42	1,98	1,04
	16.53.0	35	73	3,95007	0	1,32	1,32	1,32	1,98	1,13
	17.27.0	35	70	3,95007	0	1,13	1,42	1,7	1,89	1,6
	18.2.0	34	70	0,8243	0	1,04	1,42	1,04	1,79	1,6
	18.37.0	33	80	0,17174	0	1,23	1,51	1,6	1,89	1,32
	19.12.0	33	80	0,17174	0	1,04	1,42	0,85	2,08	0,38
	19.47.0	31	86	0	0	1,13	1,32	1,6	1,79	1,7
	20.22.0	31	85	0	0	1,23	1,32	1,42	1,89	1,7
	20.57.0	31	85	0	0	0,94	1,13	1,51	1,98	1,32
	21.32.0	31	85	0	0	0,94	1,32	1,32	1,89	1,13
	22.7.0	30	90	0	0	1,13	1,23	1,32	1,89	1,32
	22.42.0	30	90	0	0	1,04	1,32	0,94	1,89	1,79
	23.17.0	30	90	0	0	0,75	1,13	1,6	1,89	1,51
	23.52.0	29	90	0	0	0,94	1,23	1,04	1,79	0,94
19/12/19	0.27.0	29	90	0	0	1,04	1,04	1,51	1,98	2,08
	1.2.0	29	92	0	0	0,94	1,23	1,7	1,98	2,08
	1.37.0	29	92	0	0	0,94	1,13	1,13	1,98	1,6
	2.11.0	29	94	0	0	0,85	1,13	1,32	1,89	1,42
	2.46.0	29	95	0	0	0,85	1,04	1,7	1,89	2,45
	3.22.0	29	95	0	0	1,04	1,23	1,13	1,89	1,51
	3.57.0	29	95	0	0	0,94	1,23	1,42	1,79	1,79
	4.32.0	29	95	0	0	1,32	1,04	1,32	1,89	1,79
	5.6.0	29	90	0	0	0,94	1,23	1,32	1,79	1,98
	5.41.0	28	90	0	0	1,04	1,23	1,6	1,89	2,08

DATA MONITORING ARUS BOCOR ISOLATOR										
Date	Time (Hour)	Temp. (°C)	Humidity (%)	UV mW/cm2	Rainfall mm/H	Type Insulators				
						Type A	Type B	Type C	Type D	Type E
	6.16.0	28	90	0	0	0,94	1,04	1,32	1,89	0,94
	6.51.0	28	90	0	0	0,85	1,04	1,51	1,89	1,7
	7.25.0	28	87	0,12577	0	1,04	1,04	1,32	1,79	2,17
	8.0.0	30	87	0,45432	0	0,94	1,04	1,32	1,89	2,26
	8.35.0	32	87	0,74422	0	0,85	1,13	1,51	1,89	0,85
	9.11.0	38	75	3,18931	0	1,32	1,51	0,75	1,89	1,51
	9.46.0	41	75	4,6754	0	1,32	1,42	1,23	1,89	1,42
	10.21.0	41	75	4,6754	0	0,94	1,23	1,32	1,79	0,75
	10.56.0	36	80	2,53529	0	1,04	1,23	1,23	1,89	1,7
	11.14.26	36	80	2,53529	0	0,94	1,32	1,6	1,89	1,23
	11.49.0	37	80	7,9959	0	0,85	1,13	0,85	1,89	1,13
	12.23.0	35	80	7,9959	0	0,94	1,13	1,42	1,89	0,94
	12.57.0	35	85	3,56076	0	0,75	1,13	1,32	1,98	0,94
	13.31.0	35	85	3,56076	0	1,04	1,23	1,51	1,98	1,23
	14.5.0	34	86	1,05988	0	1,13	1,32	1,51	2,08	0,94
	14.39.0	32	85	1,18346	0	0,85	1,23	1,6	1,89	1,79
	15.13.0	32	85	1,18346	0	1,04	1,23	1,6	1,79	1,13
	15.47.0	30	85	0,58946	0	1,04	1,23	1,79	1,98	2,08
	16.21.0	30	85	0,53821	1	0,85	1,13	1,51	1,89	0,75
	16.55.0	28	90	0,64363	2	1,04	1,04	1,23	1,79	1,42
	17.29.0	29	90	0,74758	0	0,94	1,04	1,32	1,79	1,98
	18.3.0	29	90	0,74758	0	0,94	1,13	1,51	1,79	1,23
	18.38.0	29	90	0,22108	0	0,66	1,13	1,6	1,79	1,7
	19.13.0	28	90	0,00088	0	0,94	1,13	0,75	1,89	1,79
	19.47.0	28	92	0,00088	0	0,85	1,04	1,23	1,7	1,04
	20.21.0	28	93	0	0	0,75	1,23	0,85	1,79	1,23
	20.55.0	28	93	0	0	0,94	1,23	0,94	1,89	1,32
	21.29.0	28	93	0	0	0,94	1,04	1,42	1,89	2,17
	22.3.0	28	93	0	0	0,66	1,23	0,75	1,89	2,36
	22.38.0	28	93	0	0	0,75	1,23	1,42	1,79	1,7
	23.13.0	28	93	0	0	0,57	1,04	1,04	1,79	1,51
	23.47.0	28	93	0	0	0,85	1,32	1,42	1,89	0,94
20/12/19	0.21.0	27	95	0	0	0,85	1,04	0,94	1,79	1,42
	0.55.0	27	95	0	0	0,66	1,13	1,23	1,7	1,7
	1.29.0	27	95	0	0	0,94	1,13	1,23	1,79	0,75
	2.3.0	27	95	0	0	0,85	1,13	1,13	1,79	1,42
	2.37.0	27	95	0	0	0,75	1,13	1,04	1,89	2,17
	3.11.0	27	95	0	0	0,85	1,13	1,04	1,79	2,08
	3.45.0	27	95	0	0	0,85	1,13	1,32	1,51	1,23

DATA MONITORING ARUS BOCOR ISOLATOR										
Date	Time (Hour)	Temp. (°C)	Humidity (%)	UV mW/cm2	Rainfall mm/H	Type Insulators				
						Type A	Type B	Type C	Type D	Type E
	4.19.0	27	95	0	0	0,75	1,13	1,42	1,89	1,32
	4.53.0	27	95	0	0	0,75	1,04	1,04	1,89	1,23
	5.27.0	27	94	0	0	0,57	1,04	1,13	1,79	0,85
	6.1.0	27	94	0	0	0,75	1,23	1,42	1,89	1,23
	6.35.0	27	93	0,02284	0	0,94	1,04	1,32	1,98	1,23
	7.9.0	28	90	0,35622	0	0,85	1,13	1,51	1,89	1,23
	7.44.0	28	90	0,35622	0	0,75	1,04	0,85	1,98	0,47
	8.19.0	29	90	0,70322	0	0,66	1,23	1,6	1,89	1,13
	8.53.0	36	90	2,31523	0	1,13	1,42	1,04	1,89	1,6
	9.27.0	36	87	2,31523	0	1,23	1,42	1,51	1,7	1,13
	10.1.0	39	87	4,43133	0	1,23	1,23	1,6	1,79	0,94
	10.35.0	40	80	7,22299	517	0,94	1,13	1,04	1,89	1,04
	11.9.0	39	80	7,9959	0	0,85	1,23	0,94	1,89	1,7
	11.43.0	39	80	7,9959	0	0,94	1,13	0,85	1,89	0,38
	12.17.0	36	85	7,9959	0	0,85	1,13	1,04	1,79	1,51
	12.52.0	36	85	7,9959	0	0,94	1,23	1,23	1,89	1,51
	13.27.0	41	75	2,47145	6	1,23	1,32	0,75	1,79	1,7
	14.1.0	39	75	7,9959	773	1,23	1,42	0,75	1,89	0,75
	14.36.0	39	75	7,9959	773	1,13	1,23	1,6	1,89	1,04
	15.10.0	39	95	7,9959	0	1,13	1,42	1,7	1,98	1,89
	15.44.0	38	75	6,4899	2	1,23	1,32	1,79	1,89	1,89
	16.18.0	35	75	2,42694	4120	1,32	1,42	1,79	1,98	1,7
	16.52.0	35	80	0,57042	10	0,85	1,42	1,32	1,89	1,6
	17.26.0	35	80	0,57042	10	0,75	1,13	1,51	1,89	1,6
	18.0.0	32	80	0,54217	0	1,04	1,13	1,42	1,79	0,94
	18.34.0	31	80	0,22782	0	0,94	1,13	1,6	1,7	1,6
	19.9.0	31	80	0,22782	0	0,85	1,32	1,23	1,79	0,94
	19.44.0	30	85	0	0	1,32	1,51	1,32	1,89	1,13
	20.18.0	29	85	0	0	1,32	1,42	1,23	1,89	1,23
	20.52.0	29	90	0	0	1,23	1,51	1,32	1,89	1,13
	21.26.0	29	90	0	0	1,23	1,51	1,51	1,89	1,04
	22.0.0	29	90	0	0	0,94	1,13	1,6	1,89	0,85
	22.34.0	29	90	0	0	0,85	1,13	1,32	1,89	0,57
	23.8.0	28	95	0	0	0,94	1,04	1,23	1,79	1,42
	23.43.0	28	95	0	0	1,04	0,94	1,51	1,79	0,85
21/12/19	0.18.0	28	95	0	0	1,13	1,04	1,13	1,98	2,45
	0.53.0	28	95	0	0	0,94	1,42	1,42	1,89	1,32
	1.27.0	28	95	0	0	1,23	1,42	1,23	1,79	0,94
	2.1.0	28	95	0	0	0,94	1,32	1,23	1,79	1,7

DATA MONITORING ARUS BOCOR ISOLATOR										
Date	Time (Hour)	Temp. (°C)	Humidity (%)	UV mW/cm2	Rainfall mm/H	Type Insulators				
						Type A	Type B	Type C	Type D	Type E
	2.35.0	28	95	0	0	1,23	1,32	1,51	1,79	1,42
	3.9.0	28	95	0	0	0,85	1,23	1,04	1,89	1,42
	3.43.0	27	95	0	0	0,94	1,13	1,32	1,79	1,7
	4.17.0	27	95	0	0	0,94	1,23	0,85	1,98	1,42
	4.51.0	27	95	0	0	1,23	1,32	1,42	1,89	0,85
	5.25.0	27	95	0	0	1,04	1,23	1,6	1,89	1,6
	5.59.0	27	95	0	0	0,94	1,04	1,23	1,79	2,08
	6.33.0	27	95	0,02723	0	0,57	1,04	1,32	1,79	1,98
	7.7.0	27	90	0,02723	0	0,57	1,13	0,75	1,89	1,32
	7.41.0	29	90	0,51581	0	0,85	1,23	0,94	1,7	2,08
	8.15.0	31	90	0,70029	0	0,94	1,23	1,32	1,98	1,13
	8.49.0	35	90	2,13221	0	0,94	1,13	1,7	1,79	0,85
	9.23.0	35	85	2,13221	0	0,66	1,23	1,04	1,98	1,6
	9.58.0	40	85	4,64553	0	0,85	1,13	1,23	1,89	1,6
	10.32.0	41	80	7,4284	0	0,85	1,13	0,66	1,79	1,51
	11.7.0	41	80	7,4284	0	0,85	1,04	1,13	1,89	2,45
	11.42.0	41	75	3,89941	0	0,85	1,13	1,42	1,79	1,6
	12.17.0	38	75	2,95695	0	0,85	1,04	1,32	1,89	1,51
	12.52.0	39	85	7,9959	0	1,04	1,23	1,42	1,89	1,23
	13.26.0	39	70	7,9959	0	1,13	1,13	1,23	1,98	2,08
	14.1.0	40	70	7,9959	0	1,13	1,23	1,42	1,98	1,89
	14.35.0	38	70	3,48111	0	0,94	1,13	1,42	1,98	2,17
	15.9.0	38	70	7,9959	0	0,94	1,04	1,79	1,98	1,7
	15.43.0	38	70	7,9959	0	0,85	1,23	1,6	1,98	1,51
	16.17.0	38	70	4,37086	0	1,04	1,23	1,51	1,89	1,98
	16.51.0	38	65	6,19766	0	0,94	1,23	1,6	1,98	1,98
	17.25.0	38	65	6,19766	0	1,04	1,13	1,51	1,89	2,45
	17.59.0	36	65	0,93397	0	0,94	1,32	1,79	1,98	1,04
	18.33.0	33	70	0,35286	0	1,04	1,32	1,79	1,98	1,13
	19.7.0	33	70	0,02196	0	1,04	1,04	1,42	1,98	2,17
	19.41.0	33	70	0,02196	0	0,94	1,13	1,7	2,08	1,98
	20.16.0	32	85	0	0	0,85	1,13	1,89	1,6	1,51
	20.50.0	32	85	0	0	0,94	1,04	1,89	2,08	1,6
	21.24.0	31	90	0	0	0,85	1,13	1,7	1,98	1,89
	21.58.0	31	90	0	0	0,85	1,13	1,51	1,89	1,13
	22.32.0	30	90	0	0	0,94	1,23	1,79	1,98	1,6
	23.6.0	30	90	0	0	0,94	1,13	1,7	2,08	1,89
	23.40.0	28	93	0	6	0,85	1,13	0,75	1,89	0,28

DATA MONITORING ARUS BOCOR ISOLATOR										
Date	Time (Hour)	Temp. (°C)	Humidity (%)	UV mW/cm2	Rainfall mm/H	Type Insulators				
						Type A	Type B	Type C	Type D	Type E
22/12/19	0.14.0	28	95	0	6	0,85	1,04	0,85	1,79	1,42
	0.48.0	28	95	0	1	0,85	1,04	0,66	1,7	0,94
	1.22.0	28	95	0	0	0,85	1,13	1,51	1,6	0,94
	1.56.0	28	95	0	0	0,94	1,04	1,04	1,79	2,08
	2.30.0	28	95	0	0	0,85	1,23	1,42	1,89	0,57
	3.4.0	28	95	0	0	0,85	1,13	1,32	1,89	1,23
	3.38.0	28	95	0	0	0,57	1,04	1,04	1,7	0,94
	4.12.0	28	95	0	0	0,57	1,04	1,32	1,79	1,04
	4.46.0	28	95	0	0	0,66	1,13	1,23	1,79	0,66
	5.20.0	28	95	0	0	0,85	0,94	0,94	1,89	1,98
	5.54.0	28	95	0	0	0,75	1,04	1,23	1,7	1,42
	6.28.0	28	95	0,01259	0	0,85	1,13	1,23	1,6	1,51
	7.2.0	28	94	0,01259	0	0,75	1,13	0,94	1,7	1,42
	7.36.0	30	90	0,6041	0	0,75	1,04	0,85	1,7	1,04
	8.10.0	30	90	0,71054	0	0,85	0,94	1,32	1,79	1,98
	8.44.0	33	90	1,0287	0	0,75	1,04	1,32	1,7	2,08
	9.19.0	38	90	3,64026	0	0,66	0,94	1,23	1,7	1,23
	9.53.0	38	85	3,64026	0	0,75	1,13	1,32	1,7	1,89
	10.27.0	35	85	4,73001	0	0,57	1,13	0,85	1,51	1,42
	11.1.0	39	80	2,03309	0	0,85	1,13	1,13	1,7	1,6
	11.35.0	39	80	2,03309	0	0,75	1,23	0,85	1,7	1,32
	12.9.0	39	80	1,89736	0	1,7	1,04	0,47	1,7	2,08
	12.43.0	27	85	0,39283	0	0,85	1,04	1,13	1,79	1,51
	13.18.0	27	85	0,39283	0	0,85	1,04	1,23	1,6	1,13
	13.52.0	36	80	4,86969	0	0,66	1,23	1,23	1,7	1,13
	14.26.0	35	70	7,9959	0	0,94	1,32	1,04	1,79	1,32
	15.0.0	35	70	7,9959	0	0,94	0,94	0,94	1,7	1,13
	15.35.0	34	80	2,42796	0	0,94	1,13	1,32	1,89	0,47
	16.9.0	34	80	2,42796	0	0,94	1,04	1,32	1,79	1,42
	16.43.0	33	80	0,89312	0	0,94	1,13	1,32	1,79	1,6
	17.18.0	33	80	0,89312	0	1,04	1,04	1,32	1,89	1,32
	17.52.0	31	85	0,61142	0	0,85	1,04	0,38	1,89	1,42
	18.26.0	31	85	0,61142	0	0,85	1,23	0,66	1,6	0,75
	19.0.0	30	90	0,29473	0	0,85	1,23	0,75	1,79	0,75
	19.34.0	29	90	0	0	0,85	1,04	1,42	1,79	0,94
	20.8.0	29	90	0	0	0,75	1,04	1,51	1,79	2,08
	20.42.0	28	92	0	0	0,94	1,13	0,85	1,7	0,85
	21.17.0	28	92	0	0	0,85	1,13	1,32	1,7	1,79
	21.51.0	28	92	0	0	1,04	1,23	0,66	1,42	1,51

DATA MONITORING ARUS BOCOR ISOLATOR										
Date	Time (Hour)	Temp. (°C)	Humidity (%)	UV mW/cm2	Rainfall mm/H	Type Insulators				
						Type A	Type B	Type C	Type D	Type E
	22.25.0	28	92	0	0	0,57	1,32	0,66	1,79	2,17
	23.0.0	28	93	0	0	0,75	1,23	0,57	1,7	1,98
23/12/19	23.34.0	28	93	0	0	0,47	1,13	1,13	1,79	1,42
	0.8.0	28	95	0	0	0,66	1,13	0,94	1,23	1,32
	0.43.0	28	95	0	0	0,47	1,13	1,04	1,7	1,23
	1.17.0	28	95	0	0	0,57	1,13	1,42	1,7	1,32
	1.51.0	28	95	0	0	0,47	1,23	1,13	1,42	1,04
	2.25.0	27	95	0	0	0,85	1,04	1,13	1,51	1,23
	2.59.0	28	95	0	0	0,66	1,04	1,13	1,79	1,51
	3.33.0	27	95	0	0	0,75	1,13	0,94	1,7	1,42
	4.7.0	27	95	0	0	0,94	1,04	0,94	1,7	1,04
	4.41.0	28	95	0	0	0,75	1,04	0,85	1,51	1,89
	5.15.0	27	95	0	0	0,85	1,04	0,75	1,7	1,23
	5.49.0	27	95	0	0	0,94	1,04	1,32	1,51	0,94
	6.23.0	27	95	0	0	0,75	1,04	0,94	1,7	1,6
	6.57.0	28	92	0,18243	0	0,57	1,04	1,6	1,42	0,75
	7.31.0	29	92	0,71245	0	0,66	1,04	0,19	1,42	2,08
	8.5.0	30	90	0,95593	0	0,66	1,13	0,94	1,7	1,13
	8.39.0	30	90	0,95593	0	0,75	1,13	1,32	1,7	1,13
	9.13.0	33	85	1,40015	0	0,75	0,85	0,94	1,7	1,6
	9.47.0	34	85	2,02914	0	0,75	0,94	0,57	1,23	1,98
	10.21.0	34	85	2,02914	0	0,85	1,04	0,94	1,79	1,04
	10.55.0	38	80	3,99795	0	0,75	1,13	0,38	1,42	0,94
	11.29.0	39	80	4,02035	0	0,85	0,94	0,94	1,13	0,57
	12.3.0	39	80	4,02035	0	0,75	1,23	1,42	1,51	0,94
	12.38.0	43	75	7,9959	0	0,66	1,13	1,23	1,7	2,08
	13.12.0	36	70	1,55681	0	1,04	1,04	0,66	1,7	0,28
	13.46.0	36	70	1,55681	0	1,04	1,23	0,38	1,79	0,85
	14.21.0	35	70	6,62167	0	1,04	1,23	0,94	1,7	1,32
	14.55.0	35	70	1,99165	0	0,94	1,23	0,94	1,79	1,6
	15.29.0	34	68	2,83792	0	1,04	1,04	1,13	1,89	0,85
	16.3.0	34	68	2,83792	0	0,85	1,04	1,23	1,79	0,38
	16.37.0	34	68	1,30351	0	1,04	1,23	1,13	1,89	1,79
	17.11.0	33	65	1,19414	0	0,85	0,94	1,42	1,79	1,04
17.46.0	33	65	0,83206	0	0,94	1,13	0,75	1,7	1,42	
18.20.0	33	65	0,83206	0	1,04	1,13	0,66	1,79	0,38	
18.54.0	32	70	0,31918	0	1,04	1,13	1,13	1,79	1,7	
19.28.0	31	70	0	0	0,85	1,13	0,85	1,6	2,17	
20.3.0	31	70	0	0	0,57	1,32	0,75	1,7	0,66	

DATA MONITORING ARUS BOCOR ISOLATOR										
Date	Time (Hour)	Temp. (°C)	Humidity (%)	UV mW/cm2	Rainfall mm/H	Type Insulators				
						Type A	Type B	Type C	Type D	Type E
	20.38.0	30	75	0	0	0,85	1,32	0,47	1,32	0,66
	21.13.0	30	75	0	0	0,85	1,13	1,13	1,79	1,98
24/12/19	21.47.0	30	75	0	0	0,85	1,23	1,32	1,7	1,7
	22.22.0	29	85	0	0	0,94	1,04	0,94	1,79	1,32
	22.56.0	29	85	0	0	0,75	1,04	1,23	1,7	1,32
	23.31.0	29	85	0	0	0,75	0,94	0,75	1,7	1,32
	0.5.0	28	90	0	0	0,75	1,23	1,6	1,7	1,7
	0.40.0	28	90	0	0	0,75	1,13	1,42	1,51	1,32
	1.15.0	28	90	0	0	0,75	1,04	1,6	1,7	1,6
	1.50.0	28	95	0	0	0,75	1,13	0,75	1,79	1,98
	2.24.0	28	95	0	0	0,94	1,13	0,85	1,7	2,26
	2.58.0	28	95	0	0	0,57	1,23	1,23	1,42	0,66
	3.33.0	28	95	0	0	1,04	1,23	1,13	1,7	1,79
	4.7.0	28	95	0	0	0,57	1,04	1,23	1,79	2,55
	4.41.0	27	95	0	0	0,66	1,13	0,85	1,42	1,98
	5.15.0	27	95	0	0	0,75	0,94	1,23	1,51	2,36
	5.49.0	27	95	0	0	0,57	1,13	0,75	1,7	1,98
	6.23.0	27	95	0	0	0,94	1,04	0,75	1,79	1,51
	6.57.0	28	90	0,28243	0	0,94	1,23	0,66	1,42	1,6
	7.31.0	29	90	0,53426	0	0,85	1,04	0,75	1,42	1,98
	8.5.0	29	90	0,53426	0	0,75	1,04	1,23	1,51	1,98
	8.39.0	33	85	0,97994	0	0,47	1,04	0,85	1,79	2,17
	9.13.0	38	87	3,74802	0	0,75	1,04	1,23	1,7	2,08
	9.47.0	37	88	4,4757	0	0,75	1,23	1,04	1,6	1,23
	10.21.0	37	87	4,4757	0	0,85	1,04	0,57	1,32	1,42
	10.56.8	40	80	7,9959	0	0,85	1,04	1,23	1,42	2,26
	11.31.0	38	80	7,9959	0	0,94	1,04	1,13	1,51	2,08
	12.5.0	38	80	7,9959	0	0,75	1,04	0,94	1,7	2,36
	12.39.0	35	80	3,07613	0	0,66	1,04	1,13	1,89	1,23
	13.14.0	35	80	3,07613	0	0,85	0,94	0,85	1,89	2,55
	13.49.0	39	85	7,9959	0	0,75	1,04	1,6	1,89	1,6
	14.24.0	36	90	3,67247	0	0,85	0,94	1,6	1,89	1,23
	14.59.0	35	90	7,88126	0	0,85	1,04	1,42	1,89	1,98
	15.34.0	35	90	7,88126	0	0,85	1,04	1,42	1,51	1,7
	16.9.0	37	90	6,8243	0	0,85	0,94	1,23	1,7	1,89
16.44.0	38	87	6,97013	0	0,75	1,04	1,42	1,7	1,98	
17.19.0	35	90	2,14143	0	0,75	0,94	1,13	1,89	2,08	
17.54.0	34	90	0,60849	0	1,04	1,13	0,94	1,7	1,6	
18.29.0	34	90	0,60849	0	0,94	0,94	0,75	1,89	2,26	

DATA MONITORING ARUS BOCOR ISOLATOR										
Date	Time (Hour)	Temp. (°C)	Humidity (%)	UV mW/cm2	Rainfall mm/H	Type Insulators				
						Type A	Type B	Type C	Type D	Type E
	19.4.0	33	90	0,04539	0	0,94	1,23	1,23	1,98	2,08
	19.39.0	33	90	0,04539	0	1,13	0,94	1,32	1,79	1,98
25/12/19	20.14.0	33	90	0	0	1,79	1,13	1,32	1,89	1,98
	20.49.0	28	92	0	0	0,94	0,94	0,94	1,79	1,7
	21.24.0	28	92	0	0	0,75	1,04	1,7	1,98	2,17
	21.59.0	28	92	0	0	0,85	1,13	1,7	1,89	2,08
	22.34.0	28	92	0	0	0,85	1,04	1,23	1,98	1,79
	23.9.0	28	92	0	0	0,75	0,94	0,85	1,79	2,17
	23.44.0	28	95	0	0	0,75	1,32	1,04	1,89	1,7
	0.18.0	28	95	0	0	0,94	1,23	0,75	1,89	1,23
	0.53.0	28	95	0	0	0,66	1,23	1,51	1,98	2,17
	1.29.0	28	95	0	0	1,13	1,04	1,23	1,6	1,23
	2.5.0	28	95	0	0	0,85	1,13	1,13	1,79	0,66
	2.40.0	28	95	0	0	0,85	1,04	1,32	1,89	1,6
	3.14.0	28	95	0	0	0,75	0,94	1,04	1,7	1,89
	3.49.0	28	95	0	0	0,94	1,13	0,75	1,79	2,45
	4.24.0	28	95	0	0	0,85	1,13	1,42	1,98	1,7
	4.59.0	28	95	0	0	0,85	1,13	0,85	1,79	1,89
	5.34.0	28	95	0	0	0,85	1,04	1,42	1,89	1,32
	6.9.0	28	95	0	0	0,75	1,13	1,51	1,89	2,08
	6.44.0	28	95	0,04583	0	0,75	1,04	0,94	1,7	1,7
	7.19.0	29	92	0,3899	0	0,66	1,23	1,13	1,7	2,17
	7.54.0	30	90	0,63192	0	0,75	1,13	1,32	1,7	0,57
	8.29.0	30	90	0,63192	0	0,94	1,04	0,75	1,79	1,23
	9.4.0	37	85	2,51772	0	1,04	1,04	1,42	1,79	2,36
	9.39.0	36	84	4,09019	0	0,66	1,04	1,23	1,6	0,85
	10.14.0	36	84	4,09019	0	0,75	1,04	1,23	1,79	1,04
	10.49.0	38	80	6,10688	0	0,66	1,04	1,23	1,7	1,23
	11.24.0	40	78	7,9959	0	0,94	1,13	1,04	1,79	1,6
	11.58.0	36	80	3,49722	0	0,85	1,32	1,42	1,79	1,51
	12.33.0	36	80	3,49722	0	1,13	1,04	1,13	1,79	1,6
	13.7.0	29	90	2,76955	0	0,75	1,23	1,51	1,89	2,17
	13.41.0	33	80	7,9959	0	0,85	1,23	1,23	1,51	1,23
	14.15.0	33	80	7,9959	0	1,04	1,04	0,94	1,98	1,51
	14.50.0	37	78	7,9959	0	0,94	0,94	1,6	1,98	1,13
15.25.0	36	75	3,05754	0	0,66	1,13	1,6	1,79	0,75	
16.0.0	33	80	0,48111	0	0,94	1,04	0,85	1,89	1,89	
16.35.0	33	80	0,48111	0	1,04	1,04	1,6	1,79	1,42	
17.9.0	32	78	0,04041	0	0,94	1,23	1,7	1,89	1,7	

DATA MONITORING ARUS BOCOR ISOLATOR										
Date	Time (Hour)	Temp. (°C)	Humidity (%)	UV mW/cm2	Rainfall mm/H	Type Insulators				
						Type A	Type B	Type C	Type D	Type E
	17.44.0	28	90	0,05066	1	0,94	1,04	1,42	1,79	1,7
	18.19.0	27	90	0,01113	5634	0,94	1,04	1,32	1,89	1,89
	18.54.0	27	90	0,01113	5634	0,94	1,13	1,42	1,98	0,75
	19.29.0	27	90	0,00146	9	0,85	1,13	1,51	1,89	2,17
	20.4.0	27	90	0	18	0,85	1,13	1,51	1,79	1,04
	20.38.0	27	90	0	0	0,85	1,04	1,42	1,79	1,51
	21.13.0	27	90	0	0	0,85	1,04	1,13	1,6	1,7
	21.49.0	27	90	0	0	0,85	1,04	1,23	1,7	1,6
	22.24.0	27	92	0	0	0,85	1,04	1,32	1,79	1,23
	23.0.0	27	92	0	0	0,85	0,94	1,42	1,42	2,08
	23.34.0	27	92	0	0	0,75	1,13	0,85	1,79	1,13
26/12/19	0.9.0	27	92	0	0	0,66	1,04	0,85	1,79	0,38
	0.44.0	27	92	0	0	0,85	0,94	1,13	1,79	1,79
	1.18.0	27	95	0	0	1,04	1,04	0,75	1,7	1,04
	1.53.0	27	95	0	0	0,94	1,04	1,23	1,79	1,23
	2.27.0	27	95	0	0	0,94	1,04	1,04	1,7	1,6
	3.2.0	27	95	0	0	0,85	1,23	1,04	1,7	1,32
	3.37.0	26	95	0	0	0,94	0,94	1,32	1,32	1,04
	4.13.0	26	95	0	0	0,85	1,04	1,04	1,51	0,38
	4.48.0	26	95	0	0	0,85	1,23	0,94	1,7	0,94
	5.22.0	27	92	0	0	0,57	1,13	1,04	1,7	0,47
	5.57.0	27	92	0	0	0,66	1,04	0,85	1,79	1,89
	6.33.0	26	85	0,0082	0	0,47	1,04	1,04	1,6	1,89
	7.9.0	26	85	0,0082	0	1,04	1,23	0,75	1,7	0,57
	7.44.0	28	80	0,50307	0	0,57	1,04	0,75	1,13	1,98
	8.19.0	30	81	0,65534	0	0,66	1,04	0,75	1,42	1,7
	8.54.0	34	81	2,42064	0	0,75	0,94	0,94	1,89	1,13
	9.29.0	37	76	3,79048	0	0,75	1,04	0,94	1,79	1,32
	10.4.0	38	63	3,24978	0	0,75	1,04	1,23	1,6	1,89
	10.38.0	40	60	6,68668	0	0,66	1,04	1,13	1,7	1,13
	11.12.0	40	62	6,68668	0	0,85	1,04	0,94	1,79	1,23
	11.48.0	39	62	7,9959	0	0,66	1,13	1,13	1,7	1,32
	12.22.0	39	72	7,9959	0	0,85	1,04	1,23	1,7	0,47
	12.56.0	37	72	7,9959	0	0,85	1,04	0,94	1,23	1,32
	13.32.0	38	66	7,9959	0	0,66	1,13	1,13	1,7	0,28
	14.7.0	36	63	1,80425	0	0,75	1,04	1,32	1,7	1,32
	14.43.0	36	75	1,80425	0	0,85	1,04	1,13	1,51	2,08
	15.18.0	34	80	5,07262	0	0,85	1,32	1,23	1,7	1,42
	15.54.0	36	80	6,99795	0	0,94	1,04	0,94	1,89	1,6

DATA MONITORING ARUS BOCOR ISOLATOR										
Date	Time (Hour)	Temp. (°C)	Humidity (%)	UV mW/cm2	Rainfall mm/H	Type Insulators				
						Type A	Type B	Type C	Type D	Type E
	16.29.0	42	90	5,26208	0	1,13	1,32	1,23	1,79	1,32
	17.4.0	35	90	1,53821	0	1,13	1,13	1,04	1,89	1,23
	17.39.0	36	90	2,69107	0	0,85	1,04	1,23	1,98	1,89
	18.15.0	34	90	2,30351	0	0,85	0,94	1,51	1,98	1,51
	18.50.0	34	90	2,30351	0	0,85	1,13	1,51	1,89	1,51
	19.25.0	32	90	0,07306	0	0,85	1,13	1,04	1,89	1,7
	20.0.0	30	90	0	0	0,85	1,04	1,04	1,79	1,6
	20.35.0	27	92	0	51	0,94	1,04	1,32	1,98	0,94
	21.18.0	27	92	0	78	0,85	1,04	1,6	1,89	1,42
	21.52.0	28	92	0	9337	0,94	1,04	1,13	1,89	0,66
	22.27.0	28	92	0	9337	0,94	1,13	1,04	1,89	2,08
	23.2.0	27	92	0	78	0,75	1,13	1,13	1,89	2,08
	23.36.0	27	94	0	16	0,94	1,13	1,42	1,89	2,08
27/12/19	0.12.0	27	94	0	0	0,94	1,13	1,32	1,98	1,89
	0.47.0	27	94	0	0	0,94	0,94	1,04	1,89	1,13
	1.22.0	27	95	0	1	0,75	1,04	0,75	1,7	1,79
	1.57.0	27	95	0	0	0,85	1,13	0,66	1,7	1,13
	2.33.0	27	95	0	0	0,94	0,94	0,66	1,79	1,98
	3.8.0	27	95	0	0	0,75	1,04	0,85	1,7	1,32
	3.43.0	27	95	0	0	0,66	1,04	0,94	1,6	1,79
	4.18.0	27	95	0	0	0,75	1,32	0,85	1,79	0,66
	4.53.0	27	95	0	0	0,85	1,04	1,04	1,7	1,51
	5.28.0	27	95	0	0	0,66	0,94	1,04	1,79	1,79
	6.3.0	27	95	0	0	0,75	1,04	0,94	1,7	1,7
	6.38.0	27	95	0	0	0,75	1,04	1,23	1,7	1,79
	7.13.0	27	95	0,01552	0	0,85	1,04	0,47	1,42	1,04
	7.48.0	28	90	0,33968	0	0,75	1,04	0,75	1,7	1,32
	8.22.0	31	90	0,74026	0	0,57	0,85	0,85	1,6	2,17
	8.57.0	31	90	0,74026	0	0,75	1,13	0,94	1,6	1,13
	9.31.0	37	87	3,56559	0	0,85	0,94	0,94	1,7	1,6
	10.6.0	37	87	4,8101	0	0,94	1,04	0,75	1,42	0,28
	10.41.0	39	80	6,57335	0	0,85	1,13	0,19	1,79	1,42
	11.16.0	39	80	6,57335	0	1,04	1,04	1,04	1,79	0,94
	11.51.0	38	80	7,9959	0	0,85	1,23	1,23	1,79	1,42
	12.25.0	37	80	7,9959	0	0,94	1,13	0,75	1,7	1,04
	13.1.0	37	80	2,34202	0	0,85	1,04	1,13	1,7	1,42
	13.37.0	37	80	2,34202	0	0,94	0,94	1,42	1,79	1,13
	14.11.0	37	80	4,47716	0	0,94	1,04	1,23	1,79	2,08
	14.46.0	37	80	7,9959	0	0,85	1,04	1,42	1,89	1,6

DATA MONITORING ARUS BOCOR ISOLATOR										
Date	Time (Hour)	Temp. (°C)	Humidity (%)	UV mW/cm2	Rainfall mm/H	Type Insulators				
						Type A	Type B	Type C	Type D	Type E
	15.21.0	35	80	0,79063	0	0,85	1,04	1,7	1,42	1,51
	15.56.0	33	85	0,42255	0	0,85	1,04	1,42	1,89	2,08
28/12/19	16.31.0	30	85	0,1063	0	0,75	1,04	1,04	1,89	1,89
	16.38.35	29	88	0,13119	19	1,04	1,04	1,42	1,89	1,42
	17.12.0	28	90	0,36837	15	0,94	1,04	0,94	1,98	1,23
	17.47.0	28	90	0,36837	15	0,85	1,04	1,23	1,89	2,17
	18.21.0	30	90	0,506	0	1,04	0,94	1,04	1,98	2,17
	18.56.0	31	90	0,09854	0	0,75	1,13	1,13	1,79	1,7
	19.30.0	29	92	0	0	0,85	1,23	1,6	1,89	2,08
	20.4.0	29	93	0	0	1,13	1,23	1,32	1,89	1,98
	20.38.0	29	93	0	0	0,85	1,13	1,6	1,7	1,04
	21.13.0	29	92	0	0	0,94	0,94	1,13	1,89	1,51
	21.47.0	29	92	0	0	0,85	1,13	1,6	1,98	1,98
	22.21.0	29	93	0	0	0,75	1,04	0,75	1,98	1,89
	22.56.0	29	95	0	0	0,66	1,04	1,7	1,89	2,64
	23.30.0	29	95	0	0	0,66	1,04	1,42	1,98	1,32
	0.5.0	28	95	0	0	0,85	1,13	0,85	1,89	1,51
	0.39.0	28	95	0	0	0,94	1,13	1,6	1,89	1,51
	1.13.0	29	95	0	0	0,85	1,13	0,85	1,89	1,6
	1.47.0	28	95	0	0	0,47	1,13	1,23	1,79	0,94
	2.21.0	28	95	0	0	0,85	1,04	1,23	1,79	1,23
	2.55.0	28	95	0	0	1,04	1,04	1,6	1,89	1,7
	3.29.0	28	95	0	0	0,85	0,94	1,32	1,79	1,89
	4.4.0	28	95	0	0	0,85	1,04	1,42	1,89	1,7
	4.39.0	28	95	0	0	0,85	1,13	1,32	1,89	2,08
5.13.0	28	95	0	0	0,75	1,04	1,6	1,89	1,98	
5.48.0	28	95	0	0	0,94	0,94	1,42	1,89	1,32	
6.22.0	28	95	0	0	0,75	1,04	1,23	1,89	1,98	
6.57.0	28	95	0	0	0,85	1,04	1,04	1,79	1,51	
7.32.0	29	90	0,42943	0	0,75	1,04	0,94	1,79	1,42	
8.6.0	29	90	0,42943	0	0,85	1,04	1,42	1,79	1,51	
8.40.0	33	90	1,15271	0	0,94	1,04	1,13	1,79	1,6	
9.14.0	33	90	1,15271	0	0,85	1,04	1,32	1,7	1,79	
9.48.0	37	90	2,79107	0	0,75	1,23	1,13	1,79	1,7	
10.23.0	37	90	1,83441	0	0,94	1,04	1,23	1,89	1,6	
10.57.0	37	90	1,83441	0	0,85	1,13	1,32	1,89	1,32	
11.31.0	38	89	7,9959	0	0,94	1,13	1,6	1,89	1,32	
12.5.0	37	89	7,9959	0	0,94	1,04	1,51	1,89	1,42	
12.39.0	37	90	7,9959	0	0,94	1,23	0,85	1,98	1,04	

DATA MONITORING ARUS BOCOR ISOLATOR										
Date	Time (Hour)	Temp. (°C)	Humidity (%)	UV mW/cm2	Rainfall mm/H	Type Insulators				
						Type A	Type B	Type C	Type D	Type E
	13.13.0	38	85	7,9959	0	0,94	1,23	0,85	1,79	1,7
	13.47.0	37	85	7,9959	0	0,75	0,94	1,23	1,7	0,57
	14.21.0	37	85	7,9959	0	0,85	0,94	1,6	1,89	1,32
	14.55.0	38	85	7,9959	0	0,94	1,04	0,85	1,79	1,79
	15.29.0	38	85	7,9959	0	0,94	1,04	1,51	1,89	1,6
	16.3.0	36	85	7,59868	0	1,04	1,13	1,7	1,89	1,79
	16.37.0	36	85	7,59868	0	0,57	1,04	1,13	1,79	1,23
	17.11.0	35	85	1,72474	0	0,47	1,13	1,42	1,32	1,32
	17.45.0	39	78	4,70366	0	0,47	1,04	1,7	1,7	1,32
	18.19.0	35	85	0,63924	0	0,75	1,13	1,42	1,89	0,94
	18.53.0	35	85	0,63924	0	0,75	1,13	0,94	1,79	1,51
	19.27.0	33	87	0	0	0,75	1,13	1,6	1,7	1,98
	20.2.0	33	87	0	0	0,47	1,13	1,23	1,79	1,79
	20.36.0	32	87	0	0	0,85	1,04	1,6	1,79	0,75
	21.10.0	31	95	0	0	0,94	1,04	1,32	1,7	1,04
	21.44.0	31	88	0	0	0,75	1,04	1,42	1,79	1,13
	22.18.0	29	88	0	0	0,85	0,94	1,6	1,89	1,23
	22.52.0	28	88	0	1	0,75	1,04	0,75	1,7	1,32
	23.26.0	28	88	0	0	0,75	1,13	1,32	1,6	0,85
29/12/19	0.0.0	28	90	0	0	1,04	1,13	1,6	1,98	1,79
	0.34.0	28	90	0	0	0,85	0,94	1,7	1,79	1,6
	1.8.0	28	90	0	0	0,85	1,04	1,23	1,89	1,23
	1.42.0	28	90	0	0	0,85	1,04	1,04	1,89	1,7
	2.16.0	28	95	0	0	0,94	1,23	1,42	1,98	1,89
	2.51.0	28	95	0	0	1,04	1,04	1,7	1,89	0,47
	3.25.0	28	95	0	0	0,94	1,13	1,42	1,89	1,51
	3.59.0	28	95	0	0	0,85	1,04	1,7	1,89	1,7
	4.33.0	28	95	0	0	1,04	1,23	1,23	1,79	0,94
	5.8.0	29	95	0	0	0,85	1,13	1,23	1,89	1,13
	5.43.0	28	95	0	0	0,94	1,04	0,94	1,79	0,38
	6.17.0	28	95	0	0	1,04	1,32	1,23	1,7	1,32
	6.51.0	28	95	0,05417	0	0,94	1,13	1,32	1,79	1,13
	7.25.0	29	90	0,51142	0	1,04	1,23	1,04	1,79	1,32
	8.0.0	31	87	1,05988	0	0,85	1,04	1,7	1,79	1,32
	8.35.0	31	87	1,05988	0	0,94	1,23	0,85	1,79	0,57
	9.9.0	32	87	1,91698	0	0,85	1,04	1,32	1,7	2,08
	9.43.0	32	80	1,91698	0	0,75	1,13	1,23	1,7	0,57
	10.18.0	32	80	1,61493	0	0,75	1,13	1,13	1,42	1,42
	10.52.0	33	80	1,81054	0	0,94	1,04	0,85	1,79	1,13

DATA MONITORING ARUS BOCOR ISOLATOR										
Date	Time (Hour)	Temp. (°C)	Humidity (%)	UV mW/cm2	Rainfall mm/H	Type Insulators				
						Type A	Type B	Type C	Type D	Type E
	11.27.0	33	80	1,81054	0	0,94	0,85	0,94	1,98	1,23
	12.2.0	34	80	2,40644	0	0,75	1,13	0,85	1,79	1,42
	12.36.0	36	78	5,37482	0	1,04	1,13	1,13	1,79	1,13
	13.10.0	36	78	5,37482	0	0,94	1,13	0,94	1,79	2,08
	13.44.0	39	78	3,57687	0	1,04	1,13	1,51	1,89	0,38
	14.18.0	37	78	5,00586	0	0,94	1,32	1,42	1,79	0,47
	14.53.0	37	78	5,00586	0	0,66	0,94	1,42	1,89	1,13
	15.27.0	37	78	3,40015	0	0,85	1,13	1,42	1,98	1,98
	16.2.0	37	78	3,40015	0	1,04	0,94	1,32	1,89	1,23
	16.36.0	39	70	2,47042	0	0,75	1,23	1,23	1,98	1,13
	17.10.0	39	68	2,47042	0	0,75	1,13	1,7	1,79	1,32
	17.44.0	39	70	1,71054	0	1,13	1,04	0,94	1,89	1,6
	18.18.0	34	80	0,4675	0	0,75	1,04	1,32	1,98	1,13
	18.52.0	33	80	0,07218	0	1,04	1,23	0,94	1,79	1,13
	19.26.0	33	80	0,07218	0	1,04	1,23	1,42	1,89	1,42
	20.0.0	31	80	0	0	0,85	0,75	1,51	1,79	1,32
	20.34.0	31	80	0	0	0,75	1,04	1,32	1,79	1,51
	21.8.0	30	90	0	0	0,85	0,94	1,42	1,89	1,42
	21.42.0	30	90	0	0	0,75	1,04	1,32	1,79	1,13
	22.16.0	30	90	0	0	0,75	1,04	1,23	1,6	1,7
	22.50.0	30	90	0	0	0,85	0,94	1,23	1,98	1,32
	23.24.0	30	90	0	0	0,75	1,04	1,79	1,98	1,6
	23.58.0	29	92	0	0	0,94	0,94	1,7	1,98	0,85
30/12/19	0.32.0	29	92	0	0	0,57	0,94	1,6	1,89	1,98
	1.6.0	29	92	0	0	0,75	0,94	1,13	1,98	1,23
	1.40.0	29	82	0	0	0,85	0,94	1,04	1,89	1,6
	2.15.0	28	95	0	0	0,85	1,13	1,42	1,89	2,26
	2.49.0	28	95	0	0	0,75	1,13	1,42	1,89	1,51
	3.23.0	28	95	0	0	0,75	1,04	1,13	1,89	1,42
	3.57.0	28	95	0	0	0,94	1,04	1,42	1,7	0,85
	4.31.0	28	95	0	0	0,75	1,04	0,94	1,7	1,04
	5.6.0	28	95	0	0	0,94	1,13	1,6	1,7	1,23
	5.41.0	27	95	0	0	0,85	0,94	1,23	1,89	1,79
	6.15.0	27	95	0	0	0,94	1,04	1,13	1,6	1,98
	6.50.0	27	94	0,05315	0	0,85	0,94	1,32	1,6	1,98
	7.24.0	27	94	0,05315	0	1,23	1,32	1,04	1,6	1,13
	7.58.0	29	90	0,60703	0	1,23	1,32	0,85	1,79	1,13
	8.32.0	31	90	1,04773	0	1,13	1,04	1,13	1,7	1,7
	9.6.0	31	90	1,04773	0	1,13	1,42	1,51	1,51	1,32

DATA MONITORING ARUS BOCOR ISOLATOR										
Date	Time (Hour)	Temp. (°C)	Humidity (%)	UV mW/cm2	Rainfall mm/H	Type Insulators				
						Type A	Type B	Type C	Type D	Type E
	9.40.0	34	85	1,66515	0	1,13	1,23	0,75	1,79	1,04
	10.14.0	40	85	7,03309	0	1,04	1,42	0,94	1,42	1,23
	10.48.0	42	75	7,9959	0	1,32	1,23	1,04	1,79	1,23
	11.22.0	42	75	7,9959	0	0,85	1,04	1,6	1,79	1,6
	11.57.0	42	75	6,29473	0	0,94	1,04	1,32	1,79	1,42
	12.32.0	38	67	7,5612	0	0,94	1,04	1,51	1,6	0,75
	13.7.0	42	75	7,45769	0	0,85	0,94	1,23	1,7	0,75
	13.41.0	42	79	7,45769	0	0,75	1,13	0,85	1,79	0,85
	14.16.0	39	70	5,73353	0	0,94	1,23	0,57	1,89	1,13
	14.50.0	39	70	5,73353	0	0,94	1,23	1,13	1,89	1,7
	15.24.0	38	70	7,9959	0	0,75	1,13	1,32	1,89	1,13
	15.58.0	36	80	4,5612	0	0,94	1,23	1,23	1,79	1,32
	16.32.0	36	80	4,5612	0	0,94	1,23	1,6	1,89	0,75
	17.6.0	35	80	1,46896	0	0,85	1,04	1,23	1,98	1,42
	17.40.0	33	85	0,26925	0	0,85	1,04	1,23	1,7	1,23
	18.14.0	33	85	0,26925	0	0,94	1,13	1,42	1,79	0,66
	18.48.0	33	85	0,17804	0	1,13	1,04	1,6	1,79	2,45
	19.23.0	32	85	0	0	0,85	1,13	1,7	1,89	1,42
	19.57.0	32	90	0	0	0,85	1,04	1,23	1,89	1,32
	20.31.0	31	90	0	0	0,85	1,13	1,7	1,89	1,51
	21.5.0	31	90	0	0	0,66	1,13	1,7	1,89	1,42
	21.39.0	31	90	0	0	0,75	1,04	1,7	1,79	1,13
	22.13.0	31	90	0	0	0,85	1,04	1,04	1,98	1,79
	22.47.0	30	92	0	0	0,94	1,13	1,7	1,79	1,13
	23.21.0	30	92	0	0	0,85	1,13	1,13	1,79	0,66
	23.55.0	30	92	0	0	0,66	0,94	1,6	1,98	1,42
31/12/19	0.29.0	30	92	0	0	0,75	1,13	1,42	1,98	1,23
	1.3.0	29	95	0	0	0,85	1,04	0,85	1,98	1,04
	1.37.0	29	95	0	0	1,04	1,13	1,51	1,98	1,89
	2.11.0	29	95	0	0	0,85	1,23	1,7	1,6	0,94
	2.45.0	29	95	0	0	0,75	1,04	1,23	1,98	0,94
	3.19.0	28	95	0	0	0,85	1,04	1,42	1,89	1,42
	3.53.0	28	95	0	0	0,85	0,94	1,32	1,79	1,13
	4.28.0	28	95	0	0	0,85	1,04	1,04	1,89	0,94
	5.2.0	28	95	0	0	0,66	1,23	1,04	1,79	1,51
	5.36.0	28	95	0	0	0,94	1,13	1,04	1,89	1,32
	6.10.0	28	95	0	0	0,75	1,23	1,42	1,7	1,23
	6.44.0	28	95	0	0	0,85	1,13	0,94	1,79	0,75
	7.19.0	29	95	0,40059	0	0,66	0,94	1,32	1,7	1,23

DATA MONITORING ARUS BOCOR ISOLATOR										
Date	Time (Hour)	Temp. (°C)	Humidity (%)	UV mW/cm2	Rainfall mm/H	Type Insulators				
						Type A	Type B	Type C	Type D	Type E
	7.53.0	30	90	0,79444	0	0,57	1,23	1,04	1,23	1,98
	8.27.0	30	90	0,79444	0	0,85	1,13	1,32	1,6	1,98
	9.1.0	32	85	0,93397	0	0,85	1,23	0,66	1,32	1,51
	9.36.0	37	84	2,30146	0	0,85	0,94	0,66	1,7	1,98
	10.10.0	37	85	4,89502	0	0,85	1,23	0,75	1,7	1,23
	10.44.0	41	80	7,28243	0	1,04	1,23	0,85	1,6	2,08
	11.19.0	42	80	7,9959	0	0,85	1,23	1,04	1,79	1,32
	11.53.0	42	80	7,9959	0	0,85	1,13	1,23	1,7	1,32
	12.27.0	31	80	1,15754	5	0,85	1,13	1,13	1,79	0,85
	13.1.0	32	75	1,50747	0	0,85	1,13	0,85	1,79	0,94
	13.35.0	32	75	1,50747	0	0,66	0,94	1,32	1,7	1,7
	14.9.0	36	70	2,94041	0	0,85	1,13	1,13	1,89	1,32
	14.43.0	36	70	5,83397	0	0,75	1,04	1,32	1,79	1,42
	15.18.0	36	70	2,95652	0	0,66	1,13	1,51	1,89	1,23
	15.53.0	36	70	2,95652	0	0,66	1,23	1,23	1,98	0,85
	16.27.0	37	70	3,87789	0	1,23	1,04	1,32	1,79	1,79
	17.2.0	37	67	4,11508	0	0,75	1,04	1,04	1,89	1,89
	17.37.0	37	67	2,79546	0	0,94	0,94	1,32	1,89	0,75
	18.12.0	39	65	1,27086	0	1,04	1,04	1,23	1,79	1,51
	18.47.0	39	65	1,27086	0	0,85	0,94	1,04	1,89	1,23
	19.21.0	32	80	0,00088	0	0,94	1,04	1,04	1,79	0,75
	19.56.0	32	80	0	0	1,23	1,32	1,23	1,89	0,94
	20.31.0	31	85	0	0	1,23	1,32	1,23	1,89	1,23
	21.6.0	31	85	0	0	0,85	1,13	1,23	1,98	0,85
	21.41.0	30	86	0	0	0,94	1,32	1,13	1,79	1,6
	22.16.0	31	90	0	0	0,94	1,23	1,23	1,79	0,94
	22.51.0	30	90	0	0	0,85	0,94	1,7	1,89	1,42
	23.26.0	30	90	0	0	1,13	1,32	0,85	1,98	1,89
01/01/20	0.1.0	29	92	0	0	1,13	1,13	0,94	1,89	1,23
	0.54.0	27	90	0	0	0,85	0,94	1,32	1,89	1,6
	1.28.0	27	90	0	4	0,85	1,04	1,32	1,89	1,32
	2.3.0	27	90	0	4	0,85	0,94	0,75	1,7	1,98
	2.38.0	27	90	0	0	0,85	1,13	0,85	1,7	2,45
	3.13.0	27	95	0	0	0,85	1,23	1,04	1,89	1,32
	3.48.0	27	95	0	0	0,57	1,32	1,13	1,79	1,32
	4.23.0	27	95	0	0	1,04	1,13	1,51	1,7	1,79
	4.58.0	27	95	0	0	0,85	1,13	0,66	1,6	0,94
	5.33.0	27	95	0	0	1,04	0,94	0,94	1,7	1,23
	6.7.0	27	95	0	0	0,94	1,04	0,85	1,7	0,85
	6.43.0	27	95	0,01406	0	0,75	0,94	1,13	1,7	1,42

DATA MONITORING ARUS BOCOR ISOLATOR										
Date	Time (Hour)	Temp. (°C)	Humidity (%)	UV mW/cm2	Rainfall mm/H	Type Insulators				
						Type A	Type B	Type C	Type D	Type E
	7.17.0	28	95	0,33177	0	0,94	0,94	1,13	1,6	0,94
	7.52.0	29	95	0,92328	0	0,85	1,13	0,94	1,7	1,51
	8.27.0	32	90	1,57775	0	0,75	1,04	0,38	1,51	1,23
	9.1.0	34	87	2,08389	0	0,66	1,04	1,32	1,7	0,57
	9.35.0	35	87	2,28785	0	0,85	1,04	1,04	1,42	1,04
	10.10.0	36	87	3,07906	0	0,85	1,04	1,42	1,7	1,04
	10.44.0	38	80	6,40454	0	0,85	1,13	1,13	1,32	1,32
	11.21.0	39	80	6,78477	0	1,04	1,23	1,13	1,79	0,94
	11.55.0	39	80	6,78477	0	1,23	1,32	1,23	1,79	1,98
	12.29.0	38	80	7,9959	0	0,94	0,94	1,7	1,98	1,6
	13.3.0	39	80	7,9959	0	0,94	1,04	0,85	1,98	0,85
	13.38.0	39	78	7,9959	0	0,94	1,04	1,51	1,98	1,42
	14.14.0	36	78	3,89985	0	0,94	0,94	0,94	1,79	1,42
	14.48.0	36	78	3,89985	0	0,85	1,13	1,42	1,79	1,79
	15.25.0	32	78	2,30102	0	1,04	1,13	1,13	1,79	1,23
	16.0.0	33	78	2,42401	0	0,85	1,23	1,51	1,79	1,23
	16.34.0	33	78	2,16486	0	0,85	1,23	1,7	1,89	1,23
	17.10.0	33	78	2,16486	0	0,94	1,32	1,6	1,89	1,79
	17.45.0	31	70	0,88082	0	0,85	1,13	1,32	1,79	1,13
	18.22.0	30	68	0,3675	0	0,85	0,94	1,32	1,89	1,42
	18.56.0	29	70	0,03353	0	0,94	1,13	1,51	1,98	2,08
	19.31.0	29	80	0	0	1,13	1,04	1,6	1,89	0,94
	20.6.0	29	80	0	0	0,94	1,13	1,51	1,89	1,13
	20.41.0	29	80	0	1	0,94	1,04	1,51	1,98	1,42
	21.16.0	29	80	0	0	0,94	1,13	1,13	1,98	1,7
	21.50.0	29	80	0	0	0,85	1,13	1,32	1,79	0,57
	22.27.0	28	90	0	0	0,94	1,13	1,42	1,98	1,79
	23.3.0	28	90	0	0	0,85	1,32	1,7	1,79	1,32
	23.38.0	28	90	0	11	1,13	1,23	1,51	1,98	1,7
02/01/20	0.13.0	27	90	0	4	1,04	1,13	1,42	1,89	1,42
	1.20.0	27	90	0	7	0,85	1,04	1,51	1,79	1,13
	1.55.0	27	92	0	0	0,94	1,04	1,42	1,7	1,79
	2.30.0	27	90	0	4	0,85	1,23	1,6	1,79	0,57
	3.4.0	27	90	0	0	0,47	1,13	1,23	1,89	1,79
	3.38.0	27	90	0	0	0,85	1,13	1,23	1,79	1,51
	4.13.0	27	90	0	0	0,57	1,13	1,23	1,79	1,04
	4.48.0	27	95	0	0	0,75	1,04	1,42	1,7	0,75
	5.22.0	27	95	0	0	0,94	0,94	1,6	1,79	1,98
	5.57.0	27	95	0	0	0,85	1,13	1,04	1,42	1,42

DATA MONITORING ARUS BOCOR ISOLATOR										
Date	Time (Hour)	Temp. (°C)	Humidity (%)	UV mW/cm2	Rainfall mm/H	Type Insulators				
						Type A	Type B	Type C	Type D	Type E
	6.32.0	27	95	0	0	0,85	1,13	1,13	1,7	1,89
	7.7.0	27	95	0,00088	0	0,94	1,13	1,04	1,7	0,94
	7.42.0	27	95	0,17716	0	0,75	1,13	1,51	1,7	1,23
	8.16.0	28	95	0,61684	0	0,94	0,94	1,32	1,7	0,94
	8.51.0	30	95	1,16149	0	0,75	1,13	0,57	1,7	1,51
	9.25.0	34	95	2,78521	0	0,94	1,23	1,23	1,7	1,89
	10.0.0	31	90	1,69253	0	0,94	1,04	1,42	1,79	0,94
	10.36.0	33	87	2,35959	0	0,94	1,13	1,42	1,79	1,23
	11.11.0	32	87	2,74963	0	0,94	1,13	0,75	1,79	1,32
	11.46.0	34	87	4,15168	0	0,85	1,23	1,23	1,79	1,42
	12.20.0	39	80	7,46984	0	0,94	1,23	0,75	1,89	1,32
	12.55.0	39	80	7,46984	0	1,04	1,13	1,13	1,89	2,26
	13.30.0	27	80	1,20542	51	0,75	1,04	0,66	1,89	1,32
	14.7.0	28	80	0,6593	3	0,85	1,23	0,57	1,7	1,7
	14.43.0	28	80	0,6593	3	0,75	1,13	1,13	1,79	2,55
	15.20.0	29	78	2,52796	1	0,47	1,13	1,13	1,7	1,6
	16.16.0	27	78	0,47086	6	0,75	1,13	1,23	1,79	1,7
	16.50.0	27	78	0,46354	0	0,85	1,04	1,51	1,79	0,85
	17.27.0	28	78	0,70029	3	0,85	0,94	0,94	1,51	1,51
	18.3.0	29	78	0,61874	0	0,94	1,23	0,57	1,7	1,51
	18.38.0	28	78	0,38009	0	0,57	1,04	0,94	1,42	1,42
	19.13.0	28	78	0,01449	0	0,75	0,94	0,85	1,79	0,85
	19.48.0	28	70	0,01449	0	0,85	1,04	0,85	1,79	1,04
	20.22.0	27	68	0	0	0,75	1,23	0,75	1,7	1,23
	20.57.0	27	70	0	0	0,94	0,94	0,66	1,79	1,7
	21.32.0	27	80	0	0	0,94	0,94	0,75	1,7	1,7
	22.6.0	27	80	0	0	0,85	1,04	0,66	1,7	0,94
	22.42.0	27	80	0	0	0,94	1,13	0,94	1,42	0,66
	23.19.0	27	80	0	0	0,94	0,94	1,23	1,7	1,04
	23.55.0	27	80	0	0	0,85	0,94	0,94	1,32	0,94
03/01/20	0.30.0	27	90	0	0	0,38	1,13	0,75	1,79	0,75
	1.5.0	27	90	0	1	0,94	1,04	1,23	1,7	1,32
	1.40.0	27	90	0	1	0,57	1,04	1,13	1,79	1,04
	2.15.0	27	90	0	0	0,66	1,13	0,85	1,7	1,42
	2.50.0	27	90	0	0	0,75	1,13	0,85	1,51	1,7
	3.25.0	26	92	0	0	0,94	1,13	0,47	1,51	1,7
	3.59.0	27	95	0	0	0,75	1,04	0,38	1,32	2,26
	4.34.0	27	95	0	0	1,04	1,13	0,75	1,79	2,08
	5.10.0	27	85	0	0	0,75	1,13	1,04	1,79	1,13

DATA MONITORING ARUS BOCOR ISOLATOR										
Date	Time (Hour)	Temp. (°C)	Humidity (%)	UV mW/cm2	Rainfall mm/H	Type Insulators				
						Type A	Type B	Type C	Type D	Type E
	5.45.0	27	85	0	0	0,57	1,13	0,66	1,79	1,13
	6.19.0	27	80	0	0	0,85	1,04	0,57	1,79	1,89
	6.54.0	27	81	0,05564	0	0,85	1,04	0,94	1,42	0,75
	7.29.0	27	81	0,28594	0	0,57	1,04	0,75	1,7	1,98
	8.4.0	27	76	0,28594	0	0,66	1,13	1,04	1,79	1,32
	8.39.0	27	63	0,36794	8	0,47	1,13	0,75	1,7	1,89
	9.15.0	26	60	0,36896	7	0,66	1,04	1,04	1,7	1,32
	9.50.0	26	62	0,241	10	0,66	1,04	1,04	1,79	0,94
	10.25.0	27	62	1,13163	14	0,85	1,13	1,23	1,7	1,32
	11.1.0	27	72	1,13163	14	0,85	1,13	1,32	1,6	1,98
	11.35.0	28	72	1,46999	4	0,66	1,04	1,23	1,7	1,32
	12.9.0	30	66	2,52357	1	0,85	1,04	1,32	1,42	2,17
	12.45.0	30	63	2,52357	1	1,04	1,13	1,32	1,51	1,79
	13.21.0	29	75	1,41874	2	0,75	1,04	0,38	1,42	1,6
	13.57.0	29	80	1,41874	2	0,75	1,04	0,66	1,7	1,79
	14.31.0	28	80	0,44407	3	0,57	1,13	0,75	1,6	1,51
	15.5.0	28	95	0,9306	2	0,47	1,04	1,04	1,79	1,42
	15.40.0	28	95	0,9306	2	0,66	1,04	1,32	1,42	1,51
	16.15.0	28	95	0,7716	1	0,94	1,04	1,23	1,7	1,79
	16.49.0	27	95	1,0063	2	0,94	0,94	1,23	1,7	1,42
	17.26.0	29	95	0,85593	0	0,85	1,04	1,13	1,89	0,85
	18.1.0	28	95	0,547	0	0,75	1,13	0,75	1,6	1,89
	18.37.0	28	95	0,547	0	0,66	1,13	0,94	1,42	1,13
	19.13.0	27	95	0,00483	0	0,85	1,04	1,23	1,6	1,32
	19.48.0	27	95	0,00483	0	0,85	1,04	0,85	1,89	0,38
	20.24.0	27	95	0	0	0,66	1,04	0,57	1,7	1,79
	20.58.0	27	95	0	0	0,75	1,23	0,94	1,79	1,32
	21.32.0	27	95	0	0	0,85	1,13	1,13	1,7	1,89
	22.6.0	27	95	0	0	0,94	1,04	0,85	1,79	1,04
	22.41.0	27	95	0	0	0,75	1,23	1,04	1,7	0,75
	23.18.0	27	95	0	0	0,85	1,13	0,66	1,6	2,17
	23.52.0	27	95	0	0	0,85	1,04	0,57	1,79	1,51
04/01/20	0.26.0	27	95	0	0	0,66	0,94	1,04	1,51	1,42
	1.1.0	27	95	0	0	0,85	1,04	1,23	1,42	1,6
	1.36.0	27	95	0	0	0,75	1,13	0,94	1,79	1,51
	2.11.0	27	95	0	0	0,75	1,13	0,38	1,79	1,7
	2.46.0	27	95	0	1	0,85	1,13	1,04	1,7	1,98
	3.21.0	27	95	0	0	0,75	1,04	1,13	1,7	1,6
	3.56.0	27	95	0	0	0,75	1,13	0,47	1,79	1,51

DATA MONITORING ARUS BOCOR ISOLATOR										
Date	Time (Hour)	Temp. (°C)	Humidity (%)	UV mW/cm2	Rainfall mm/H	Type Insulators				
						Type A	Type B	Type C	Type D	Type E
	4.31.0	27	95	0	0	0,75	1,23	1,23	1,32	1,32
	5.6.0	27	85	0	0	0,75	1,04	0,94	1,6	1,23
	5.41.0	27	85	0	0	1,04	1,13	1,23	1,89	1,51
	6.16.0	27	80	0	0	0,47	1,13	1,23	1,79	1,32
	6.51.0	27	81	0,03704	0	0,85	0,94	1,23	1,7	1,7
	7.26.0	28	81	0,241	0	0,75	1,04	0,94	1,7	0,94
	8.1.0	29	76	0,50059	0	0,85	1,23	0,47	1,79	1,04
	8.36.0	29	63	0,50059	0	0,75	1,04	1,42	1,79	1,04
	9.11.0	30	60	1,49531	0	0,75	0,94	0,94	1,42	1,23
	9.46.0	33	62	2,72079	0	0,85	1,04	1,13	1,7	1,79
	10.22.0	35	62	7,27321	0	0,57	1,13	0,75	1,7	1,42
	10.57.0	34	72	3,54949	0	0,75	0,94	1,04	1,6	0,94
	11.32.0	34	72	1,2123	0	0,75	1,13	0,75	1,32	1,04
	12.6.0	34	66	1,2123	0	0,75	1,04	1,51	1,7	1,42
	12.41.0	28	63	0,18097	3	1,13	1,04	0,94	1,79	1,79
	13.15.0	27	75	0,19912	6	0,94	1,23	1,23	1,6	1,6
	13.51.0	27	80	0,19912	6	0,85	0,94	0,66	1,7	1,42
	14.28.0	29	80	0,78565	0	0,85	1,13	0,66	1,7	1,04
	15.4.0	29	95	0,78565	0	0,75	1,04	1,23	1,79	0,94
	15.38.0	35	95	3,09165	0	0,94	1,04	0,66	1,89	1,79
	16.11.0	35	95	3,09165	0	0,85	1,13	0,66	1,7	1,32
	16.46.0	36	95	4,04817	0	1,04	1,04	1,13	1,89	1,32
	17.20.0	35	95	1,29912	0	0,94	1,32	0,75	1,79	1,13
	17.54.0	33	95	4,56018	0	0,66	1,13	1,13	1,7	1,32
	18.30.0	33	95	4,56018	0	0,94	1,04	0,94	1,89	1,04
	19.6.0	31	95	0,05652	0	1,04	1,13	1,13	1,89	1,42
	19.42.0	31	95	0,05652	0	1,04	0,94	1,13	1,89	1,98
	20.17.0	31	95	0	0	1,04	1,23	1,42	1,89	1,7
	20.51.0	26	95	0	4	1,04	1,13	1,04	1,79	1,89
	21.27.0	26	95	0	0	0,85	1,13	1,13	1,79	0,94
	22.2.0	26	95	0	0	0,94	1,13	0,94	1,7	1,32
	22.36.0	26	95	0	0	0,94	1,13	1,23	1,79	2,36
	23.12.0	27	95	0	0	1,13	1,04	0,75	1,7	1,51
	23.48.0	27	95	0	0	1,04	1,13	1,32	1,79	1,23
05/01/20	0.22.0	27	95	0	0	0,85	1,04	0,75	1,42	2,26
	0.57.0	27	95	0	0	0,85	1,13	1,23	1,79	1,32
	1.32.0	27	85	0	0	0,94	1,04	1,04	1,7	2,08
	2.7.0	27	85	0	0	0,94	1,13	1,13	1,7	1,51
	2.42.0	27	80	0	0	0,75	1,13	0,85	1,7	1,32

DATA MONITORING ARUS BOCOR ISOLATOR										
Date	Time (Hour)	Temp. (°C)	Humidity (%)	UV mW/cm2	Rainfall mm/H	Type Insulators				
						Type A	Type B	Type C	Type D	Type E
	3.17.0	27	81	0	0	1,04	1,23	0,47	1,7	1,13
	3.52.0	27	81	0	0	0,94	1,23	0,47	1,32	1,13
	4.27.0	28	76	0	0	1,04	1,13	1,23	1,51	1,04
	5.2.0	28	63	0	0	0,94	1,04	0,47	1,79	0,66
	5.37.0	28	60	0	0	1,13	0,94	0,85	1,79	1,04
	6.12.0	28	62	0	0	0,66	1,13	1,23	1,42	1,42
	6.47.0	27	62	0,01742	0	0,94	1,13	0,85	1,7	1,51
	7.22.0	27	72	0,01742	0	0,94	1,04	1,13	1,7	1,13
	7.57.0	30	72	0,91054	1	0,85	1,04	0,66	1,23	1,51
	8.32.0	31	66	1,5246	0	0,94	0,94	1,23	1,7	1,32
	9.7.0	35	63	3,10395	1	0,85	1,04	1,32	1,79	1,79
	9.42.0	35	75	1,01947	0	0,94	1,04	1,13	1,7	1,6
	10.16.0	36	80	4,20395	1	0,85	1,04	1,42	1,7	1,79
	10.50.0	36	80	4,20395	1	1,13	1,04	0,75	1,7	1,04
	11.27.0	35	95	3,61479	2	0,75	1,13	1,13	1,79	1,23
	12.3.0	32	91	0,86676	3	0,94	1,23	1,32	1,79	0,94
	12.37.0	32	92	0,86676	3	0,94	1,13	1,32	1,79	0,85
	13.13.0	33	91	2,92035	0	0,94	0,94	1,32	1,7	2,36
	13.49.0	33	92	2,92035	0	0,66	1,04	1,32	1,89	1,04
	14.22.0	33	92	1,6183	6	0,75	1,04	0,94	1,98	1,13
	15.10.0	33	93	0	0	0,66	1,04	1,6	1,7	1,89
	15.44.0	32	94	0	0	1,04	0,94	1,13	1,79	2,08
	16.21.0	32	93	0	0	0,75	1,13	1,23	1,79	1,7
	16.55.0	32	94	0	0	0,75	1,32	1,42	1,79	1,23
	17.30.0	31	95	0	0	0,47	1,04	1,04	1,7	1,7
	18.5.0	26	95	0,40454	20	0,94	1,04	1,13	1,79	1,89
	18.41.0	26	95	0,40454	20	0,85	1,04	0,75	1,79	1,32
	19.14.0	26	95	0,00425	0	0,94	1,13	1,32	1,79	1,51
	19.49.0	26	95	0	0	0,85	1,32	1,32	1,79	1,7
	20.23.0	26	95	0	0	1,04	1,32	0,85	1,42	1,32
	20.58.0	26	95	0	0	0,85	1,13	1,13	1,79	1,04
	21.33.0	26	95	0	0	0,94	0,94	0,75	1,7	1,23
	22.8.0	26	95	0	0	0,75	1,04	1,04	1,89	1,23
	22.44.0	26	95	0	0	0,85	1,04	0,75	1,7	1,98
	23.21.0	26	95	0	0	1,04	1,32	1,23	1,79	1,42
	23.56.0	26	95	0	0	0,94	1,04	1,13	1,42	1,04
06/01/20	0.31.0	26	95	0	0	1,23	1,23	1,04	1,6	1,79
	1.5.0	26	95	0	0	0,75	0,94	0,75	1,7	1,6
	1.40.0	27	95	0	0	0,85	0,94	0,94	1,79	1,23

DATA MONITORING ARUS BOCOR ISOLATOR										
Date	Time (Hour)	Temp. (°C)	Humidity (%)	UV mW/cm2	Rainfall mm/H	Type Insulators				
						Type A	Type B	Type C	Type D	Type E
	2.15.0	27	95	0	0	0,85	0,94	0,94	1,42	1,23
	2.50.0	27	95	0	0	0,75	1,04	1,32	1,79	1,42
	3.25.0	27	95	0	0	0,85	1,04	1,32	1,79	2,26
	4.0.0	27	95	0	0	0,85	1,13	1,51	1,79	1,7
	4.35.0	27	85	0	0	1,04	1,32	0,85	1,79	1,32
	5.10.0	27	85	0	0	1,13	1,42	0,85	1,7	1,89
	5.45.0	26	80	0	28	1,32	1,42	1,51	1,7	1,51
	6.20.0	26	81	0	5	1,23	1,42	1,51	1,7	1,51
	6.55.0	26	81	0	5	1,23	1,23	1,13	1,42	1,42
	7.30.0	26	76	0,01215	0	1,23	1,42	1,51	1,7	1,79
	8.5.0	26	63	0,1429	0	1,23	1,42	1,04	1,79	1,6
	8.40.0	27	60	0,38258	0	1,23	1,42	1,51	1,7	1,89
	9.14.0	28	62	1,80425	0	0,94	1,04	1,42	1,79	1,79
	9.49.0	28	62	1,80425	0	0,85	1,13	1,23	1,79	1,79
	10.25.0	33	72	4,18726	0	0,94	1,13	1,32	1,7	0,57
	11.0.0	34	72	4,84773	0	1,23	1,42	1,13	1,7	2,45
	11.34.0	35	66	6,35666	0	1,23	1,42	0,47	1,79	2,17
	12.9.0	35	63	6,35666	0	1,04	1,32	0,85	1,7	1,7
	12.44.0	31	75	2,24876	0	0,85	1,42	0,66	1,79	2,08
	13.17.0	31	80	2,24876	0	1,04	1,42	1,32	1,89	1,04
	13.52.0	28	80	0,94919	35	1,13	1,32	1,04	1,7	0,94
	14.28.0	31	95	3,19224	0	0,94	1,32	1,04	1,7	1,32
	15.3.0	29	95	0,69883	7	0,94	0,94	1,32	1,79	1,89
	15.38.0	31	95	3,88624	1	0,75	1,23	1,13	1,6	1,04
	16.14.0	31	95	3,88624	1	0,85	1,04	1,32	1,7	2,08
	16.49.0	33	95	4,63236	0	1,13	1,04	1,23	1,79	0,85
	17.25.0	30	95	0,29268	2	0,94	1,04	1,42	1,79	1,13
	18.0.0	28	95	0,11991	2	1,04	1,23	1,04	1,89	0,85
	18.36.0	28	95	0,12489	6	0,94	1,04	1,7	1,89	0,85
	19.11.0	28	95	0,00776	0	0,85	1,04	1,23	1,98	1,23
	19.45.0	28	95	0,00776	0	0,85	0,94	1,23	1,79	1,23
	20.22.0	28	95	0	0	0,85	0,94	1,23	1,79	1,42
	20.56.0	28	95	0	0	0,85	1,04	1,13	1,79	1,7
	21.30.0	28	95	0	0	0,85	1,13	1,23	1,7	1,7
	22.5.0	28	95	0	0	0,85	1,32	1,42	1,98	1,51
	22.39.0	28	95	0	0	0,94	1,04	1,13	1,79	0,75
	23.14.0	28	95	0	0	0,94	1,23	1,32	1,79	1,23
	23.49.0	28	95	0	0	1,04	0,94	1,32	1,79	1,23
07/01/20	0.23.0	28	95	0	0	0,85	0,94	1,04	1,79	1,98

DATA MONITORING ARUS BOCOR ISOLATOR										
Date	Time (Hour)	Temp. (°C)	Humidity (%)	UV mW/cm2	Rainfall mm/H	Type Insulators				
						Type A	Type B	Type C	Type D	Type E
	0.58.0	27	95	0	0	0,94	1,13	0,66	1,7	1,6
	1.33.0	27	95	0	0	0,85	1,13	1,04	1,79	1,98
	2.8.0	27	95	0	0	0,94	0,94	0,75	1,79	1,98
	2.43.0	28	85	0	0	0,85	1,13	1,42	1,79	1,6
	3.18.0	28	85	0	0	0,94	1,13	1,13	1,79	1,7
	3.53.0	28	80	0	0	1,04	1,04	0,66	1,98	1,89
	4.28.0	26	81	0	10	1,04	1,04	1,51	1,7	1,23
	5.3.0	26	81	0	3	1,04	1,23	1,13	1,79	1,32
	5.38.0	26	76	0	0	0,94	1,13	0,85	1,7	1,51
	6.13.0	26	63	0	4	0,94	1,23	0,38	1,79	0,94
	6.48.0	26	60	0	4	0,85	1,04	1,13	1,7	1,79
	7.23.0	26	62	0,0205	0	0,94	1,13	1,04	1,7	1,7
	7.58.0	27	62	0,46457	0	1,04	1,13	1,51	1,79	1,23
	8.32.0	29	72	1,2328	0	0,94	1,23	1,13	1,7	1,6
	9.7.0	33	72	2,14876	0	0,85	1,23	1,6	1,79	0,66
	9.42.0	33	66	2,14876	0	1,13	1,13	1,23	1,79	1,04
	10.18.0	36	63	1,54802	1	0,85	0,85	1,23	1,89	1,79
	10.53.0	28	75	0,8101	15	0,94	1,13	1,32	1,89	1,13
	11.29.0	28	80	0,8101	15	0,85	1,13	1,32	1,79	1,13
	12.5.0	30	80	1,14187	0	0,75	1,32	1,13	1,79	1,79
	12.41.0	30	95	1,14187	0	0,75	1,04	1,13	1,89	1,6
	13.15.0	31	95	1,83001	0	1,04	1,04	1,42	1,89	1,79
	13.49.0	32	95	2,76764	0	0,75	1,04	1,42	1,98	1,42
	14.23.0	34	95	3,78228	0	0,85	1,13	1,13	1,89	1,23
	14.58.0	33	95	0,75886	0	1,42	1,13	1,51	1,98	1,32
	15.33.0	32	95	7,9959	0	0,57	1,04	1,7	1,89	0,85
	16.7.0	36	95	7,66896	0	0,75	1,13	1,42	1,89	1,79
	16.42.0	36	95	7,66896	0	0,75	1,13	1,51	1,89	1,23
	17.17.0	29	95	0,953	0	0,66	0,94	1,13	1,98	1,89
	17.51.0	29	95	0,953	0	0,85	1,13	1,42	1,89	0,85
	18.26.0	29	95	0,46354	0	1,13	1,04	1,7	1,98	1,32
	19.0.0	28	95	0,04583	0	0,85	1,13	1,6	1,79	1,6
	19.34.0	28	95	0,04583	0	0,85	1,13	1,42	1,89	0,66
	20.9.0	28	95	0	0	0,85	1,13	1,42	1,98	1,13
	20.43.0	28	95	0	0	1,04	1,23	1,32	1,79	1,23
	21.18.0	28	95	0	0	0,57	1,04	1,42	1,79	1,79
	21.53.0	28	95	0	0	0,94	1,04	1,13	1,79	1,04
	22.28.0	28	95	0	0	0,94	1,04	1,42	1,89	1,98
	23.3.0	28	95	0	0	0,94	1,23	1,51	1,79	1,23

DATA MONITORING ARUS BOCOR ISOLATOR										
Date	Time (Hour)	Temp. (°C)	Humidity (%)	UV mW/cm2	Rainfall mm/H	Type Insulators				
						Type A	Type B	Type C	Type D	Type E
	23.38.0	28	95	0	0	1,04	1,13	1,6	1,89	2,17
08/01/20	0.12.0	28	85	0	0	1,04	0,94	1,42	1,79	1,7
	0.46.0	28	85	0	0	1,04	1,23	1,13	1,89	0,66
	1.21.0	28	80	0	0	0,94	1,13	0,85	1,89	1,32
	1.55.0	28	81	0	0	0,85	1,13	1,23	1,89	1,42
	2.29.0	28	81	0	2	0,94	1,13	0,75	1,89	0,94
	3.4.0	28	76	0	0	0,94	1,04	1,13	1,89	1,7
	3.39.0	28	63	0	0	0,94	1,23	1,51	1,7	1,32
	4.13.0	28	60	0	0	1,04	1,23	1,04	1,79	1,42
	4.47.0	28	62	0	0	1,04	1,04	1,23	1,79	1,32
	5.22.0	28	62	0	0	0,85	1,04	1,04	1,79	1,23
	5.57.0	28	72	0	0	0,85	1,23	1,32	1,89	1,98
	6.31.0	28	72	0	0	0,94	1,04	1,23	1,89	0,75
	7.6.0	28	66	0	0	0,94	1,23	0,94	1,98	1,32
	7.41.0	28	63	0,06574	0	0,94	1,04	1,42	1,89	1,32
	8.16.0	29	75	0,65783	0	0,75	1,04	1,23	1,89	1,6
	8.51.0	32	80	0,71977	0	0,85	1,04	1,7	1,79	1,32
	9.25.0	32	80	0,89941	0	0,94	1,04	1,42	1,98	1,7
	9.59.0	32	85	0,89941	0	0,94	1,23	1,7	1,89	0,47
	10.33.0	38	85	5,23719	0	1,23	1,13	1,13	1,89	1,6
	11.8.0	36	80	2,43631	0	1,04	1,42	1,42	1,79	1,79
	11.42.0	36	81	2,43631	0	1,13	1,32	1,04	1,7	1,32
	12.17.0	35	81	4,49722	0	1,13	1,42	1,51	1,89	1,51
	12.52.0	35	76	3,62416	0	0,94	0,94	1,42	1,7	1,89
	13.26.0	35	63	4,63675	0	0,85	1,04	1,79	1,98	1,7
	14.0.0	35	60	4,63675	0	0,85	0,94	1,42	1,98	1,42
	14.35.0	34	62	2,04876	0	0,85	0,94	1,79	1,98	1,32
	15.10.0	33	62	1,34495	0	0,75	0,94	1,42	1,89	0,85
	15.45.0	33	72	1,73836	0	0,66	0,94	1,32	1,79	1,32
	16.19.0	33	72	1,21464	0	0,75	1,04	1,79	1,89	2,08
	16.53.0	33	66	1,8325	0	0,66	0,94	1,42	1,98	1,23
	17.28.0	33	63	1,19458	0	0,75	0,94	1,79	1,79	1,32
	18.2.0	32	75	0,49136	0	0,85	1,13	1,7	1,89	0,47
	18.37.0	32	80	0,49136	0	0,47	1,13	1,32	1,89	0,85
	19.12.0	31	80	0,00922	0	0,85	1,04	1,23	1,79	1,51
	19.46.0	31	95	0,00922	0	0,75	1,04	1,04	1,79	0,85
	20.20.0	27	95	0	1	0,85	0,94	1,6	1,79	1,32
	20.55.0	27	95	0	0	0,85	1,13	1,7	2,08	1,23
	21.29.0	27	95	0	1	0,47	1,23	1,42	1,7	1,79

DATA MONITORING ARUS BOCOR ISOLATOR										
Date	Time (Hour)	Temp. (°C)	Humidity (%)	UV mW/cm2	Rainfall mm/H	Type Insulators				
						Type A	Type B	Type C	Type D	Type E
	22.4.0	27	95	0	0	0,66	1,04	1,23	1,42	1,98
	22.39.0	28	95	0	0	0,28	1,04	1,51	1,79	0,66
09/01/20										
	23.13.0	28	95	0	0	0,75	1,13	1,42	1,98	0,66
	23.47.0	28	95	0	0	0,85	1,04	1,23	1,79	1,42
	0.22.0	28	95	0	0	0,75	1,13	1,04	1,89	1,23
	0.57.0	28	95	0	0	0,75	1,04	1,51	1,89	1,42
	1.31.0	28	95	0	0	1,04	0,94	1,7	1,89	1,98
	2.5.0	28	85	0	0	0,94	1,04	1,42	1,89	0,28
	2.40.0	28	85	0	0	0,66	1,13	1,42	1,89	1,23
	3.14.0	28	80	0	0	0,75	1,04	1,42	1,79	0,94
	3.48.0	28	81	0	0	1,04	1,04	1,32	1,89	1,13
	4.22.0	28	81	0	0	1,13	1,13	1,51	1,89	1,23
	4.57.0	28	76	0	0	0,85	1,04	1,42	1,98	1,13
	5.32.0	27	63	0	0	0,85	1,13	1,79	1,98	1,13
	6.7.0	27	60	0	0	0,66	1,04	1,32	1,98	1,6
	6.42.0	27	62	0,00673	0	0,94	1,04	1,13	1,7	0,85
	7.16.0	27	62	0,00673	0	0,85	1,04	0,75	1,89	1,04
	7.50.0	28	72	0,19854	0	1,04	0,94	1,32	1,79	1,32
	8.25.0	29	72	0,4918	0	0,85	1,13	1,04	1,89	1,23
	8.59.0	32	66	1,58023	0	0,85	0,94	1,6	1,89	1,51
	9.33.0	33	63	1,35329	0	0,75	1,04	1,13	1,98	1,51
	10.7.0	33	75	1,35329	0	1,04	1,13	1,32	1,98	1,79
	10.42.0	37	80	3,20732	0	0,94	0,94	1,51	1,89	1,13
	11.17.0	40	80	5,00776	0	0,57	1,13	1,6	1,79	0,75
	11.52.0	42	95	4,18536	0	0,85	1,04	1,51	1,89	1,13
	12.26.0	42	95	4,18536	0	0,75	1,13	1,42	1,79	1,32
	13.0.0	37	95	5,37277	0	0,47	1,04	1,04	1,89	1,6
	13.35.0	37	95	5,37277	0	0,85	1,13	1,13	1,89	0,75
	14.9.0	35	95	1,33529	0	0,85	0,94	1,32	1,89	1,7
	14.43.0	29	95	1,02387	11	0,94	1,04	1,51	1,79	2,08
	15.18.0	28	95	0,82518	3	0,57	1,13	1,42	1,79	0,66
	15.52.0	27	95	0,32987	2	0,85	1,04	1,13	1,79	1,79
	16.26.0	27	95	0,32987	2	0,47	1,13	1,32	1,79	1,7
17.1.0	27	95	0,21713	16	0,94	1,04	1,6	1,79	0,85	
17.36.0	27	95	0,29912	1	0,75	0,94	1,51	1,79	0,94	
18.10.0	27	95	0,29912	1	0,94	1,04	1,42	1,7	1,89	
18.44.0	27	95	0,17613	0	0,85	1,13	1,42	1,79	1,51	
19.18.0	27	95	0,14436	0	0,75	1,04	1,32	1,89	1,6	
19.53.0	27	95	0,00527	0	0,94	1,04	1,32	1,79	1,23	

DATA MONITORING ARUS BOCOR ISOLATOR										
Date	Time (Hour)	Temp. (°C)	Humidity (%)	UV mW/cm2	Rainfall mm/H	Type Insulators				
						Type A	Type B	Type C	Type D	Type E
	20.28.0	27	95	0	0	0,75	1,04	1,32	1,89	1,23
	21.3.0	27	95	0	0	1,04	1,13	1,13	1,79	0,85
10/01/20	21.37.0	27	95	0	0	0,75	1,04	1,79	1,98	1,6
	22.12.0	27	95	0	0	0,94	0,94	1,32	1,89	1,32
	22.47.0	28	95	0	0	0,85	0,94	1,04	1,7	2,17
	23.22.0	28	95	0	0	0,94	1,04	1,6	1,89	1,6
	23.57.0	27	95	0	5	0,85	1,13	1,7	1,98	1,6
	0.32.0	27	95	0	3	0,94	1,04	1,7	1,98	1,04
	1.7.0	27	95	0	3	0,85	1,13	1,6	1,89	0,57
	1.42.0	27	95	0	1	0,75	1,04	1,6	1,98	1,6
	2.16.0	27	95	0	0	0,75	1,13	1,32	1,89	1,79
	2.51.0	27	95	0	0	0,85	1,13	1,42	1,98	2,36
	3.26.0	27	95	0	0	0,94	1,13	1,7	1,89	2,17
	4.1.0	27	85	0	0	0,85	1,13	1,42	1,79	1,51
	4.36.0	27	85	0	0	0,85	1,04	1,13	1,79	1,42
	5.10.0	27	80	0	0	0,85	1,04	1,7	1,79	1,6
	5.45.0	27	81	0	0	0,85	1,04	1,23	1,7	1,23
	6.19.0	27	81	0	0	0,75	1,04	1,04	1,79	1,42
	6.53.0	27	76	0	0	0,85	1,13	1,32	1,79	1,79
	7.28.0	28	63	0,27321	0	1,04	1,32	1,42	1,98	1,51
	8.2.0	28	60	0,27321	0	1,04	1,13	1,42	1,79	2,08
	8.37.0	29	62	0,6959	0	1,13	1,04	1,32	1,79	1,42
	9.12.0	31	62	0,67687	0	1,04	1,23	1,13	1,98	1,42
	9.46.0	38	72	4,32255	0	1,13	0,85	1,32	1,89	2,45
	10.21.0	38	72	4,32255	0	1,13	1,04	1,13	1,79	2,08
	10.56.0	38	66	6,23324	0	0,85	1,13	1,32	1,89	1,13
	11.30.0	41	63	7,9959	0	0,85	1,13	1,51	1,7	1,04
	12.4.0	41	75	7,9959	0	0,94	1,04	1,42	1,98	0,75
	12.39.0	40	80	7,9959	0	1,04	1,23	1,32	1,79	1,89
	13.14.0	41	80	7,9959	0	0,94	1,04	1,7	1,89	1,6
	13.48.0	41	91	7,9959	0	0,85	1,04	1,7	1,79	0,94
	14.22.0	39	95	7,9959	0	0,57	1,04	1,51	1,42	0,94
14.56.0	37	95	7,9959	0	0,85	1,13	1,51	1,51	1,13	
15.30.0	37	95	7,9959	0	0,75	1,13	1,51	1,79	2,08	
16.4.0	37	95	7,9959	0	1,04	1,13	1,51	1,79	1,23	
16.38.0	38	95	7,9959	0	0,85	1,13	1,6	1,89	2,08	
17.12.0	36	95	3,95256	0	0,85	0,94	1,6	1,89	2,17	
17.46.0	37	95	2,50893	0	0,75	1,04	1,32	1,79	1,13	
18.21.0	36	95	1,11903	0	0,85	0,94	1,32	1,51	1,6	

DATA MONITORING ARUS BOCOR ISOLATOR										
Date	Time (Hour)	Temp. (°C)	Humidity (%)	UV mW/cm2	Rainfall mm/H	Type Insulators				
						Type A	Type B	Type C	Type D	Type E
	18.55.0	33	95	0,24729	0	0,94	1,13	1,6	1,6	1,13
	19.30.0	32	95	0,00044	0	0,85	1,13	1,7	1,98	1,13
11/01/20	20.5.0	32	95	0,00044	0	0,19	1,13	1,42	1,98	1,51
	20.40.0	31	95	0	0	0,66	1,13	1,42	1,79	1,32
	21.14.0	31	95	0	0	1,13	1,32	1,6	1,89	1,23
	21.48.0	31	95	0	0	1,13	1,32	1,6	1,98	1,42
	22.23.0	31	95	0	0	1,13	1,23	1,51	1,98	1,7
	22.58.0	31	95	0	0	0,94	0,94	1,32	1,79	1,79
	23.33.0	31	95	0	0	0,94	1,04	1,23	1,7	1,51
	0.8.0	31	95	0	0	1,04	1,23	1,13	1,89	1,79
	0.43.0	31	95	0	0	1,04	1,23	1,79	1,89	1,51
	1.17.0	31	95	0	0	1,04	1,23	1,13	1,98	1,51
	1.51.0	31	95	0	0	1,04	1,13	1,42	1,98	1,79
	2.25.0	31	95	0	0	0,94	1,13	1,32	1,89	1,51
	2.59.0	27	85	0	0	0,85	1,04	0,85	1,79	1,7
	3.33.0	27	85	0	0	0,85	1,13	0,94	1,89	1,6
	4.7.0	27	80	0	0	0,94	1,04	1,13	1,79	1,32
	4.41.0	27	81	0	0	0,85	1,13	0,75	1,79	1,42
	5.16.0	27	81	0	0	0,85	1,13	1,32	1,79	1,79
	5.50.0	27	76	0	0	0,85	1,04	1,51	1,79	1,98
	6.25.0	27	63	0	0	0,85	1,23	1,32	1,7	1,7
	7.0.0	27	60	0,12972	2	1,04	1,04	1,23	1,42	1,13
	7.34.0	27	62	0,12972	2	0,85	1,04	1,6	1,79	1,42
	8.8.0	28	62	0,87496	0	0,94	0,94	1,32	1,7	1,32
	8.43.0	30	72	0,77789	0	0,75	1,13	1,32	1,51	1,32
	9.17.0	32	72	1,67789	0	0,57	1,04	1,32	1,89	1,51
	9.52.0	32	66	1,67789	0	0,85	1,32	1,6	1,89	1,89
	10.26.0	34	63	3,23221	0	0,94	1,13	1,51	1,89	1,51
	11.1.0	35	75	3,4817	0	1,04	1,13	1,13	1,89	1,98
	11.36.0	35	80	4,59195	0	0,94	1,04	1,42	1,89	2,17
	12.11.0	36	80	7,9959	0	1,04	1,04	1,6	2,08	1,89
	12.45.0	36	95	7,9959	0	0,75	1,13	1,32	1,89	2,17
	13.20.0	36	95	2,31127	0	0,85	1,13	1,23	1,89	0,85
	13.55.0	37	95	7,9959	0	1,04	1,23	1,42	1,79	1,79
14.30.0	37	95	7,9959	0	0,75	1,04	1,04	1,6	0,66	
15.5.0	38	95	4,12533	0	0,94	1,13	1,42	1,89	1,32	
15.39.0	37	95	1,67145	0	0,85	0,94	1,7	1,89	1,6	
16.13.0	38	95	7,9959	0	0,66	0,94	1,42	1,98	1,79	
16.47.0	38	95	7,9959	0	0,75	0,94	0,47	1,7	0,47	

DATA MONITORING ARUS BOCOR ISOLATOR										
Date	Time (Hour)	Temp. (°C)	Humidity (%)	UV mW/cm2	Rainfall mm/H	Type Insulators				
						Type A	Type B	Type C	Type D	Type E
	17.21.0	38	95	7,9959	0	0,57	0,94	0,94	1,6	1,6
	17.56.0	29	95	0,36691	0	0,75	1,04	1,04	1,98	1,6
12/01/20	18.31.0	29	95	0,36691	0	0,75	1,04	1,32	1,89	1,89
	19.6.0	27	95	0,01596	8	0,66	1,04	1,6	1,89	1,23
	19.41.0	27	95	0,01596	8	1,04	1,04	1,42	1,79	1,13
	20.35.0	27	95	0	0	0,85	1,13	1,51	1,89	1,7
	21.10.0	27	95	0	0	0,85	1,04	1,42	1,89	1,32
	21.45.0	27	95	0	0	0,85	0,94	1,42	1,89	1,51
	22.20.0	27	95	0	7	0,94	0,94	1,13	2,08	0,66
	22.55.0	27	95	0	1	1,23	1,13	1,42	1,79	1,79
	23.30.0	27	95	0	1	0,94	1,04	1,51	1,79	1,51
	0.5.0	27	95	0	5	0,85	0,94	1,6	1,89	1,13
	0.39.0	27	95	0	0	0,94	1,04	1,51	1,98	1,7
	1.13.0	27	95	0	0	0,94	1,13	0,94	1,89	1,51
	1.48.0	27	85	0	0	0,94	1,23	0,94	1,98	2,08
	2.22.0	27	85	0	0	0,94	1,23	1,23	1,79	1,89
	2.57.0	27	80	0	0	0,85	1,04	1,13	1,98	0,85
	3.31.0	27	81	0	0	0,94	1,04	0,94	1,89	1,7
	4.7.0	27	81	0	0	0,94	1,23	0,75	1,89	1,51
	4.41.0	27	76	0	0	1,04	0,94	1,04	1,7	2,17
	5.17.0	27	63	0	15	0,94	0,94	1,32	1,89	2,17
	5.52.0	26	60	0	1	0,85	1,04	1,51	1,89	1,6
	6.27.0	26	62	0	4	0,85	1,32	0,75	1,79	1,6
	7.1.0	27	62	0,01991	3	0,94	1,23	1,23	1,89	1,7
	7.36.0	27	72	0,01991	3	0,94	1,23	0,94	1,79	1,6
	8.11.0	27	72	0,18785	0	0,75	1,23	0,66	1,7	1,51
	8.46.0	27	66	0,5104	0	1,04	1,32	1,23	1,79	1,89
	9.18.0	29	63	1,30981	0	0,75	1,04	1,04	1,79	1,51
	9.53.0	31	75	1,87643	0	0,85	1,04	0,47	1,79	1,42
	10.28.0	27	80	0,34056	5	0,85	1,04	0,66	1,7	1,79
	11.3.0	27	80	0,41479	3	0,66	1,23	1,04	1,79	2,55
	11.37.0	27	95	0,41479	3	0,94	1,23	1,51	1,79	1,89
	12.13.0	28	95	1,15608	3	0,85	1,04	0,75	1,79	1,32
	12.48.0	28	95	1,40747	2	0,94	1,13	1,04	1,89	1,13
13.22.0	28	95	1,70469	0	1,04	1,04	1,42	1,7	1,51	
13.57.0	27	95	1,07804	3	0,85	1,23	1,6	1,89	1,42	
14.33.0	26	95	1,11259	11	0,94	1,04	1,13	1,7	1,6	
15.7.0	26	95	1,11259	11	0,85	1,04	1,04	1,79	1,98	
15.42.0	27	95	0,64173	2	0,94	1,23	1,23	1,7	1,51	
16.16.0	27	95	0,64173	2	0,94	1,04	1,13	1,79	1,7	

DATA MONITORING ARUS BOCOR ISOLATOR										
Date	Time (Hour)	Temp. (°C)	Humidity (%)	UV mW/cm2	Rainfall mm/H	Type Insulators				
						Type A	Type B	Type C	Type D	Type E
	16.51.0	27	95	0,52606	3	0,94	1,04	0,66	1,7	1,6
	17.25.0	27	95	0,4694	0	0,85	1,13	0,75	1,51	1,98
13/01/20										
	18.0.0	27	95	0,4694	0	0,94	1,13	1,23	1,79	1,79
	18.36.0	27	95	0,18931	0	0,94	1,04	1,6	1,79	1,89
	19.11.0	27	95	0,01113	0	1,04	1,13	1,32	1,7	1,79
	19.46.0	27	95	0,01113	0	0,75	1,04	1,32	1,89	1,04
	20.21.0	27	95	0	0	0,85	1,13	0,85	1,89	1,51
	20.56.0	27	95	0	0	1,04	1,04	0,94	1,79	1,04
	21.32.0	27	95	0	0	0,75	0,85	1,04	1,79	2,26
	22.6.0	27	95	0	3	0,75	1,13	1,13	1,79	1,23
	22.41.0	27	95	0	3	0,94	0,94	1,42	1,51	1,42
	23.16.0	27	95	0	3	0,75	1,04	0,94	1,7	1,32
	23.51.0	27	95	0	3	0,85	1,13	1,04	1,7	1,6
	0.24.0	26	90	0	1	0,75	0,94	1,13	1,79	2,55
	0.58.0	26	92	0	1	0,85	1,23	1,13	1,7	1,7
	1.33.0	26	90	0	0	1,13	1,23	1,51	1,79	1,13
	2.8.0	26	81	0	0	0,85	1,23	0,66	1,89	1,89
	2.42.0	26	81	0	0	1,04	1,23	0,57	1,7	1,79
	3.17.0	27	76	0	0	0,75	1,13	0,94	1,79	2,45
	3.56.0	27	63	0	0	0,66	1,04	1,51	1,7	1,89
	4.31.0	27	60	0	0	0,94	1,13	0,66	1,79	1,51
	5.7.0	27	62	0	0	0,75	1,13	0,66	1,79	2,45
	5.42.0	27	62	0	0	0,85	1,04	0,94	1,7	2,17
	6.15.0	27	72	0	0	0,75	1,04	1,32	1,79	1,6
	6.50.0	27	72	0,01259	0	0,85	1,04	0,47	1,79	1,42
	7.24.0	27	66	0,34261	0	0,94	1,13	1,51	1,79	2,74
	7.59.0	29	63	0,77057	0	0,75	1,04	1,51	1,7	0,57
	8.33.0	31	75	1,39912	0	0,75	1,13	1,23	1,79	2,64
	9.9.0	31	80	1,39912	0	0,85	1,23	1,23	1,7	2,17
	9.43.0	36	80	2,51435	0	0,85	1,23	1,23	1,79	2,26
	10.18.0	36	78	2,51435	0	1,04	1,23	1,32	1,7	2,55
	10.53.0	35	78	2,75637	0	1,04	1,13	0,75	1,7	1,98
	11.44.51	34	76	4,72269	0	1,04	1,13	1,6	1,98	1,6
12.20.0	37	76	3,85403	0	0,94	1,04	0,85	1,79	1,04	
12.55.0	34	75	5,89941	0	0,94	1,04	1,42	1,89	0,94	
13.30.0	34	70	5,89941	0	0,94	0,94	1,51	1,89	1,32	
14.5.0	35	70	5,83455	0	0,94	1,23	1,51	1,98	1,32	
14.40.0	35	75	5,83455	0	0,94	1,13	1,32	1,98	1,79	
15.15.0	34	75	1,11611	0	0,94	1,04	1,32	1,79	1,51	

DATA MONITORING ARUS BOCOR ISOLATOR										
Date	Time (Hour)	Temp. (°C)	Humidity (%)	UV mW/cm2	Rainfall mm/H	Type Insulators				
						Type A	Type B	Type C	Type D	Type E
	15.50.0	33	75	2,23177	2	0,66	1,04	1,23	1,79	1,23
	16.26.0	33	74	2,23177	2	1,04	1,04	1,6	1,98	1,13
14/01/20	17.1.0	33	74	1,13997	0	0,94	1,04	1,13	1,79	1,32
	17.35.0	33	78	1,13997	0	0,85	1,13	1,42	1,79	0,66
	18.9.0	33	80	0,59048	0	0,47	1,04	1,32	1,7	1,04
	18.44.0	33	80	0,59048	0	0,94	1,04	1,32	1,79	1,23
	19.18.0	31	82	0,00922	0	0,85	1,04	1,51	1,7	1,04
	19.53.0	31	82	0,00922	0	0,94	1,13	1,13	1,89	1,23
	20.27.0	30	85	0	0	1,04	1,23	1,51	1,79	1,7
	21.2.0	30	85	0	0	0,94	1,13	1,79	1,98	1,04
	21.36.0	29	90	0	0	0,75	1,13	1,32	1,89	1,7
	22.11.0	29	90	0	0	0,94	1,13	1,51	2,08	1,32
	22.46.0	29	92	0	0	0,75	1,13	1,32	1,79	1,23
	23.21.0	29	92	0	0	0,94	1,23	1,13	1,98	1,23
	23.56.0	29	92	0	0	0,94	0,94	1,6	1,89	1,13
	0.31.0	29	95	0	0	1,04	1,04	1,51	1,98	1,32
	1.6.0	28	95	0	0	1,04	1,13	1,04	1,79	1,42
	1.41.0	28	95	0	0	0,94	1,23	1,51	1,98	0,57
	2.17.0	28	95	0	0	0,94	1,04	0,94	1,89	1,23
	2.53.0	28	90	0	0	0,85	1,04	1,13	1,89	1,32
	3.26.0	28	92	0	0	0,85	1,13	1,04	1,89	1,98
	4.2.0	28	90	0	0	0,75	1,13	1,04	1,79	1,32
	4.38.0	27	81	0	0	0,85	1,13	1,13	1,89	1,13
	5.14.0	27	81	0	0	0,85	0,94	1,7	1,79	1,32
	5.50.0	27	76	0	0	0,94	1,04	1,32	1,89	0,75
	6.23.0	27	63	0	0	0,75	1,13	1,04	1,79	1,32
	6.57.0	27	60	0,04876	0	0,75	0,94	0,75	1,7	1,79
	7.33.0	28	62	0,34202	0	0,94	0,94	1,04	1,79	1,13
	8.7.0	28	62	0,34202	0	0,66	1,13	1,13	1,79	1,79
	8.43.0	31	72	0,69839	0	0,85	1,13	1,13	1,7	1,89
	9.18.0	31	72	0,69839	0	0,85	1,13	1,04	1,89	0,85
	9.54.0	36	66	3,01259	0	1,04	1,04	1,32	1,79	1,23
	10.29.0	37	63	6,35139	0	0,66	1,13	1,6	1,98	1,32
	11.3.0	37	75	6,35139	0	0,85	0,85	1,04	1,89	1,6
11.38.0	40	80	7,9959	0	0,94	1,23	1,42	1,98	1,32	
12.13.0	43	80	7,9959	0	0,85	1,04	1,7	1,98	1,42	
12.48.0	39	78	4,19268	0	1,13	1,23	1,42	1,89	0,66	
13.22.0	40	78	7,9959	0	0,85	1,04	1,7	1,79	1,6	
13.57.0	40	76	7,9959	0	1,23	1,04	1,13	1,7	0,94	

DATA MONITORING ARUS BOCOR ISOLATOR										
Date	Time (Hour)	Temp. (°C)	Humidity (%)	UV mW/cm2	Rainfall mm/H	Type Insulators				
						Type A	Type B	Type C	Type D	Type E
	14.32.0	39	76	7,9959	0	0,75	1,13	0,85	1,98	1,89
	15.7.0	42	75	7,9959	0	0,85	1,04	1,79	1,89	1,51
	15.42.0	38	70	5,9306	0	0,94	1,04	1,23	1,79	1,42
	16.18.0	38	70	5,9306	0	0,94	1,13	1,32	1,89	1,04
	16.53.0	38	75	2,88477	0	0,75	1,04	1,32	1,98	1,42
	17.27.0	38	75	2,88477	0	0,75	1,23	1,23	1,79	1,23
	18.2.0	37	75	3,59634	0	0,94	1,04	1,42	1,89	1,23
	18.36.0	37	74	3,59634	0	0,75	1,04	1,7	1,98	2,08
	19.11.0	33	74	0,0653	0	0,94	1,04	1,23	1,79	1,23
	19.46.0	32	78	0	0	0,85	1,13	1,42	1,7	1,23
	20.21.0	31	80	0	0	0,75	1,04	1,32	1,7	1,98
	20.56.0	31	80	0	0	0,85	1,13	1,7	1,79	1,23
	21.30.0	31	82	0	0	0,75	0,85	1,23	1,79	2,26
	22.6.0	30	82	0	0	0,85	0,94	1,42	1,79	1,13
	22.41.0	30	85	0	0	0,66	1,13	1,51	1,7	1,32
	23.16.0	30	85	0	0	0,85	1,23	1,42	1,79	1,42
	23.51.0	30	90	0	0	0,75	0,94	1,32	1,79	2,17
15/01/20	0.26.0	29	90	0	0	1,04	1,13	1,32	1,7	1,32
	1.0.0	29	92	0	0	0,94	1,04	1,13	1,79	1,79
	1.35.0	29	92	0	0	1,04	1,13	1,6	1,7	1,89
	2.9.0	29	92	0	0	0,85	1,13	1,23	1,79	1,23
	2.45.0	28	92	0	0	0,85	0,85	1,04	1,89	1,23
	3.18.0	28	91	0	0	0,94	0,94	1,32	1,79	1,7
	3.54.0	28	90	0	0	0,85	1,04	1,23	1,89	1,23
	4.28.0	28	90	0	0	0,85	1,04	1,32	1,89	1,89
	5.4.0	28	92	0	0	0,75	1,04	0,94	1,89	1,79
	5.39.0	28	90	0	0	0,85	1,13	1,32	1,89	1,6
	6.12.0	28	81	0	0	0,85	1,04	0,94	1,98	0,85
	6.46.0	28	81	0	0	0,85	1,04	1,23	1,89	2,08
	7.19.0	28	76	0,26925	0	0,85	1,04	1,32	1,89	1,23
	7.55.0	30	63	0,61098	0	0,75	1,04	0,94	1,89	0,75
	8.30.0	32	60	0,84817	0	0,94	1,04	0,94	1,89	1,79
	9.6.0	34	62	2,0082	0	0,85	1,04	0,85	1,89	1,13
	9.40.0	36	62	4,30439	0	0,75	1,13	1,32	1,89	0,94
	10.15.0	37	72	2,8306	0	0,85	1,04	1,13	1,98	1,6
	10.50.0	37	72	2,8306	0	0,85	1,13	1,23	1,98	1,7
	11.25.0	32	66	1,84275	0	1,04	1,13	1,04	1,89	1,23
	12.0.0	35	63	6,36061	0	1,04	1,32	1,32	1,89	0,94
	12.35.0	42	75	7,9959	0	0,94	1,13	1,6	1,79	0,85
	13.9.0	40	80	4,32152	0	0,66	1,13	1,32	1,89	1,51

DATA MONITORING ARUS BOCOR ISOLATOR										
Date	Time (Hour)	Temp. (°C)	Humidity (%)	UV mW/cm2	Rainfall mm/H	Type Insulators				
						Type A	Type B	Type C	Type D	Type E
	13.44.0	40	80	4,32152	0	0,94	1,04	1,7	1,89	0,66
	14.19.0	38	78	5,30937	0	0,75	0,94	1,6	1,79	1,6
16/01/20	14.54.0	38	78	2,17218	0	0,66	0,94	1,6	1,79	1,7
	15.30.0	32	76	3,67584	0	0,75	1,23	1,04	1,79	1,51
	16.5.0	31	76	1,14919	0	1,04	1,13	1,42	1,89	1,79
	16.40.0	31	75	0,68565	0	0,85	1,04	1,51	1,79	1,32
	17.15.0	31	70	0,55827	0	0,85	0,94	1,13	1,7	1,7
	17.50.0	31	70	0,55827	0	0,75	1,04	1,42	1,89	1,32
	18.24.0	30	75	0,2981	0	0,85	1,13	1,6	1,7	0,47
	18.59.0	30	75	0,10249	0	0,75	1,04	1,32	1,89	1,13
	19.35.0	29	75	0	0	0,94	1,04	1,42	1,79	1,13
	20.10.0	29	74	0	0	0,85	1,13	1,6	1,79	1,89
	20.45.0	29	74	0	0	0,85	1,04	1,32	1,89	1,6
	21.20.0	28	78	0	0	0,94	1,04	1,42	1,89	1,42
	21.55.0	28	80	0	0	0,94	1,04	1,13	1,98	2,26
	22.30.0	28	80	0	0	0,94	1,13	1,7	1,89	1,89
	23.5.0	28	82	0	0	1,04	1,04	1,13	1,98	0,94
	23.40.0	28	82	0	0	1,23	1,23	1,32	1,89	1,98
0.16.0	28	85	0	0	0,85	1,32	1,32	1,98	1,04	
0.50.0	28	85	0	0	1,04	1,13	1,51	1,79	1,32	
1.27.0	28	90	0	0	0,94	1,13	1,42	1,89	1,51	
2.3.0	28	90	0	0	1,04	1,32	1,04	1,89	0,94	
2.38.0	27	92	0	0	1,04	0,94	1,42	1,98	1,42	
3.14.0	27	92	0	0	0,75	1,13	1,04	1,79	1,89	
3.50.0	27	92	0	0	0,94	1,23	1,32	1,79	2,08	
4.22.0	27	90	0	0	0,94	1,13	1,23	1,79	1,42	
4.57.0	27	92	0	0	0,94	1,13	0,94	1,79	1,32	
5.31.0	27	90	0	0	0,85	1,04	0,57	1,7	1,79	
6.5.0	27	81	0	0	0,94	1,13	1,13	1,79	1,23	
6.39.0	27	81	0,00234	0	0,85	1,04	1,23	1,89	0,94	
7.14.0	27	76	0,21127	0	0,94	1,04	1,04	1,79	1,51	
7.49.0	29	63	0,4631	0	0,75	1,04	1,04	1,79	1,13	
8.22.0	29	60	0,4631	0	0,94	1,13	1,13	1,79	1,42	
8.58.0	32	62	2,05066	0	0,85	1,04	1,32	1,79	1,13	
9.33.0	37	62	3,51186	0	0,75	1,23	1,23	1,89	1,42	
10.8.0	37	72	3,51186	0	0,94	1,23	1,04	1,79	1,13	
10.43.0	40	72	7,5899	0	0,85	1,04	1,32	1,79	1,32	
11.17.0	38	66	7,9959	0	0,85	1,04	0,94	1,89	1,7	
11.52.0	40	63	7,9959	0	0,75	1,04	1,04	1,98	1,51	
12.27.0	40	75	7,9959	0	0,94	1,13	1,32	1,89	1,32	

DATA MONITORING ARUS BOCOR ISOLATOR										
Date	Time (Hour)	Temp. (°C)	Humidity (%)	UV mW/cm2	Rainfall mm/H	Type Insulators				
						Type A	Type B	Type C	Type D	Type E
	13.2.0	41	80	7,9959	0	1,04	1,23	1,13	1,79	0,94
	13.37.0	41	80	7,9959	0	0,94	1,04	1,6	1,89	1,32
17/01/20	14.12.0	41	78	7,9959	0	0,85	1,04	1,42	1,98	1,6
	14.47.0	40	78	7,9959	0	0,85	0,94	1,51	1,79	1,23
	15.23.0	40	76	7,9959	0	0,66	1,13	1,42	1,89	1,32
	15.58.0	39	76	7,9959	0	0,94	1,13	1,51	1,89	1,89
	16.33.0	39	75	4,02914	0	0,66	1,13	1,6	1,89	1,79
	17.8.0	34	70	0,71889	0	0,85	0,94	1,6	1,89	1,89
	18.13.0	33	70	0,4552	0	1,04	1,13	1,6	1,98	2,36
	18.48.0	33	75	0,41142	0	0,85	0,94	1,42	1,79	1,79
	19.23.0	31	75	0,02284	0	0,85	1,04	1,32	1,89	2,45
	19.58.0	30	75	0	0	0,47	1,04	1,32	1,89	2,45
	20.33.0	30	74	0	0	0,85	1,13	0,94	1,79	1,32
	21.8.0	30	74	0	0	0,94	0,94	1,6	1,79	1,98
	21.43.0	30	78	0	0	0,94	1,04	1,51	1,79	1,51
	22.18.0	29	80	0	0	0,66	1,04	1,6	1,89	1,51
	22.53.0	29	80	0	0	0,57	0,85	1,6	1,79	2,08
	23.28.0	29	82	0	0	0,85	1,04	1,6	1,79	2,17
17/01/20	0.3.0	29	82	0	0	0,85	1,13	1,7	1,79	1,89
	0.38.0	29	85	0	0	0,94	1,04	1,7	1,89	2,17
	1.14.0	29	85	0	0	0,94	0,94	1,6	1,89	1,04
	1.48.0	28	90	0	0	0,94	1,04	1,6	1,89	2,26
	2.24.0	28	90	0	0	0,85	1,23	1,7	1,98	1,7
	2.59.0	28	92	0	0	1,04	1,13	1,51	1,98	2,08
	3.34.0	28	92	0	0	0,85	1,04	1,6	1,89	1,79
	4.8.0	28	92	0	0	0,85	1,13	1,23	1,79	1,6
	4.44.0	28	90	0	0	0,85	1,04	1,7	1,98	1,7
	5.20.0	27	92	0	0	0,85	1,13	0,85	1,79	1,23
	5.54.0	27	90	0	0	0,85	1,23	1,6	1,79	0,85
	6.29.0	27	81	0	0	1,04	1,13	1,51	1,89	1,7
	7.3.0	27	81	0,1063	0	0,94	1,04	1,13	1,89	1,7
	7.39.0	27	76	0,1063	0	0,85	1,13	1,6	1,98	1,7
	8.14.0	30	63	0,51669	0	1,04	1,13	1,42	1,89	1,04
	8.48.0	30	60	0,51669	0	1,04	1,32	1,23	1,89	1,04
	9.25.0	37	62	2,69151	0	0,94	1,23	1,32	1,79	2,08
	10.0.0	37	62	2,69151	0	0,94	1,13	1,04	1,79	1,6
	10.35.0	39	72	6,20205	0	0,85	1,23	1,6	1,79	1,89
	11.9.0	39	72	6,20205	0	0,85	1,13	1,32	1,89	1,42
11.44.0	42	66	7,9959	0	0,85	1,13	1,32	1,79	1,79	
12.19.0	38	63	1,89209	0	0,75	1,04	1,51	1,89	1,89	

DATA MONITORING ARUS BOCOR ISOLATOR										
Date	Time (Hour)	Temp. (°C)	Humidity (%)	UV mW/cm2	Rainfall mm/H	Type Insulators				
						Type A	Type B	Type C	Type D	Type E
	12.54.0	35	75	1,51391	0	0,94	1,13	1,6	1,98	1,42
	13.29.0	39	80	3,24685	0	1,13	0,94	1,51	1,98	1,79
	14.4.0	39	80	3,24685	0	0,94	1,04	1,6	1,79	1,6
	14.39.0	34	78	2,84334	6	1,04	1,13	1,23	1,7	2,17
	15.14.0	34	78	2,84334	6	0,94	1,13	1,42	1,98	2,45
	15.49.0	39	76	7,9959	0	0,94	0,94	1,51	1,42	1,79
	16.24.0	39	76	7,9959	0	0,66	1,04	1,42	1,89	1,04
	16.59.0	38	75	5,78917	0	1,13	1,13	1,7	1,79	1,7
	17.34.0	38	70	5,21962	0	0,94	1,04	1,32	1,6	0,75
	18.9.0	38	70	5,21962	0	0,75	1,13	1,42	1,79	1,7
	18.44.0	38	75	2,19165	0	0,85	1,04	1,13	1,7	1,13
	19.19.0	33	75	0,04729	0	0,85	1,23	1,13	1,89	0,66
	19.54.0	32	75	0	0	0,94	1,13	1,51	1,89	1,42
	20.28.0	31	74	0	0	0,75	1,13	1,32	1,98	1,89
	21.3.0	31	74	0	0	0,85	0,94	1,51	1,79	1,04
	21.38.0	31	78	0	0	0,66	1,13	1,6	1,89	1,51
	22.13.0	31	80	0	0	0,75	1,04	1,51	1,89	1,51
	22.48.0	30	80	0	0	0,85	1,13	1,6	1,79	1,32
	23.23.0	30	82	0	0	0,94	1,23	1,51	1,79	1,89
	23.58.0	30	82	0	0	0,94	1,04	1,32	1,89	1,42
18/01/20	0.34.0	29	85	0	0	0,85	1,13	1,13	1,98	1,13
	1.8.0	29	85	0	0	1,04	1,23	1,13	1,79	0,75
	1.43.0	29	90	0	0	0,85	1,13	1,7	1,79	1,6
	2.16.0	29	90	0	0	0,85	1,13	1,51	1,89	1,23
	2.50.0	29	92	0	0	0,94	1,13	1,6	1,89	1,32
	3.26.0	28	92	0	0	0,85	1,32	1,32	1,89	0,85
	4.2.0	28	92	0	0	0,75	0,94	1,51	1,89	1,13
	4.36.0	28	90	0	0	1,13	1,13	1,7	1,89	1,42
	5.10.0	28	92	0	0	0,75	1,13	1,7	1,89	1,04
	5.46.0	28	90	0	0	1,23	1,32	1,7	1,98	1,7
	6.18.0	28	81	0	0	1,23	1,32	1,6	1,98	2,26
	6.52.0	27	81	0,0224	0	1,13	1,32	1,23	1,79	1,6
	7.28.0	27	76	0,0224	0	1,04	1,13	1,32	1,79	0,85
	8.2.0	29	63	0,36354	0	0,85	1,04	1,7	1,89	1,23
	8.36.0	34	60	1,51874	0	1,04	1,42	1,23	1,79	0,94
	9.10.0	36	62	3,2757	0	0,94	1,32	1,51	1,89	0,85
	9.45.0	38	62	2,60556	0	0,94	1,04	1,6	1,7	2,08
	10.20.0	42	72	6,49429	0	0,85	1,04	1,23	1,98	1,13
	10.55.0	42	72	6,49429	0	0,85	1,04	1,42	1,89	1,6
	11.30.0	40	66	1,75988	0	0,94	1,13	1,6	1,98	1,6

DATA MONITORING ARUS BOCOR ISOLATOR										
Date	Time (Hour)	Temp. (°C)	Humidity (%)	UV mW/cm2	Rainfall mm/H	Type Insulators				
						Type A	Type B	Type C	Type D	Type E
	12.5.0	40	63	1,75988	0	0,94	1,13	0,85	1,89	1,32
	12.40.0	39	75	1,85739	0	0,85	1,04	1,42	1,79	1,32
	13.14.0	40	80	7,9959	0	0,85	1,23	1,32	1,89	1,98
	13.49.0	39	80	7,9959	0	1,04	1,23	1,13	1,89	2,45
	14.24.0	40	78	7,12152	0	0,94	1,13	0,85	1,89	1,23
	14.59.0	42	78	7,9959	0	1,13	1,32	1,51	1,79	2,08
	15.33.0	40	76	7,9959	0	0,94	1,04	1,6	1,79	1,7
	16.8.0	39	76	7,9959	0	0,94	1,23	1,6	1,79	1,89
	16.43.0	39	75	5,99898	0	0,75	1,04	1,6	1,89	1,89
	17.17.0	39	70	5,99898	0	0,85	1,13	1,6	1,98	1,04
	17.52.0	40	70	5,04919	0	0,75	1,13	1,7	1,89	1,23
	18.27.0	36	75	1,21025	0	0,94	1,23	1,6	1,6	1,79
	19.1.0	36	75	1,21025	0	0,85	1,13	1,79	1,79	1,42
	19.36.0	35	75	0,39429	0	1,04	0,94	0,94	1,98	1,23
	20.11.0	32	74	0	0	0,94	0,94	1,7	1,79	1,7
	20.46.0	32	74	0	0	0,75	1,13	1,6	1,98	1,79
	21.22.0	32	78	0	0	0,75	0,94	1,51	1,89	1,7
	21.57.0	31	80	0	0	0,94	1,23	1,6	1,89	0,38
	22.32.0	30	80	0	0	0,85	1,04	1,7	1,89	1,23
	23.8.0	30	82	0	0	0,66	1,04	1,42	1,98	1,23
	23.43.0	30	82	0	0	0,94	1,13	1,42	1,79	1,23
19/01/20	0.17.0	30	85	0	0	0,94	0,94	1,32	1,98	1,04
	0.52.0	29	85	0	0	1,04	1,23	1,23	1,79	1,79
	1.28.0	29	90	0	0	0,85	1,04	0,66	1,89	1,89
	2.3.0	29	90	0	0	0,75	1,04	1,42	1,89	1,7
	2.37.0	29	92	0	0	0,94	1,13	1,7	1,6	2,17
	3.12.0	29	92	0	0	1,04	1,04	1,13	1,89	1,79
	3.47.0	28	92	0	0	0,94	1,13	1,32	1,51	1,13
	4.23.0	28	90	0	0	0,66	1,23	1,42	1,7	1,98
	4.57.0	28	92	0	0	0,94	1,23	0,85	1,79	0,66
	5.32.0	28	90	0	0	0,94	0,94	1,04	1,89	1,13
	6.8.0	27	81	0	0	0,94	1,32	1,79	1,79	1,04
	6.42.0	27	81	0,00234	0	0,94	1,13	1,42	1,79	2,08
	7.19.0	28	76	0,18199	0	0,94	1,23	1,13	1,98	0,66
	7.55.0	28	63	0,18199	0	1,04	1,23	1,04	1,89	1,13
	8.29.0	31	60	0,60322	0	1,04	1,23	0,94	1,89	1,7
	9.5.0	34	62	2,6451	0	0,85	1,13	1,23	1,89	2,08
	9.40.0	34	62	2,6451	0	0,85	1,23	1,51	1,89	0,94
	10.15.0	39	72	5,24012	0	0,94	0,94	1,04	1,89	1,7
	10.50.0	39	72	5,24012	0	0,85	1,04	1,42	1,79	0,94

DATA MONITORING ARUS BOCOR ISOLATOR										
Date	Time (Hour)	Temp. (°C)	Humidity (%)	UV mW/cm2	Rainfall mm/H	Type Insulators				
						Type A	Type B	Type C	Type D	Type E
	11.24.0	41	66	2,35959	0	0,66	1,13	1,42	1,98	1,7
	11.59.0	41	63	2,35959	0	1,04	1,32	1,32	1,89	1,04
	12.34.0	37	75	1,54846	0	0,94	1,13	1,04	1,98	1,6
	13.10.0	37	80	1,65593	0	0,85	1,04	1,7	1,89	1,7
	13.45.0	37	80	2,66911	0	1,04	1,13	1,7	1,98	0,85
	14.21.0	37	78	2,66911	0	0,85	1,13	0,85	1,98	1,51
	14.56.0	40	78	3,84173	0	0,94	1,04	1,7	1,79	2,08
	15.31.0	40	76	7,9959	0	0,94	1,23	1,6	1,79	1,6
	16.6.0	41	76	7,9959	0	0,85	1,13	1,32	1,98	1,79
	16.41.0	41	75	7,9959	0	0,85	0,94	1,32	1,89	1,7
	17.16.0	40	70	7,9959	0	0,85	1,13	1,23	1,89	1,79
	17.51.0	41	70	5,59444	0	0,75	1,04	1,6	1,79	1,79
	18.27.0	38	75	1,87892	0	0,94	1,04	1,6	1,79	1,79
	19.2.0	36	75	0,29766	0	0,75	0,94	1,7	1,89	1,04
	19.37.0	32	75	0,00044	0	0,85	1,13	1,51	1,89	1,98
	20.11.0	32	74	0,00044	0	0,75	0,94	1,23	1,79	2,36
	20.46.0	32	74	0	0	1,04	1,13	1,32	1,89	1,79
	21.21.0	31	78	0	0	0,85	1,04	1,04	1,79	1,51
	21.56.0	31	80	0	0	0,75	1,13	1,6	1,89	1,04
	22.31.0	31	80	0	0	0,57	1,13	1,51	1,89	1,51
	23.6.0	30	82	0	0	1,04	1,04	1,42	1,89	1,98
	23.41.0	30	82	0	0	0,94	0,85	1,51	1,7	1,42
20/01/20	0.15.0	30	85	0	0	1,04	1,13	1,42	1,79	1,42
	0.49.0	30	85	0	0	0,94	0,94	1,51	1,79	2,45
	1.22.0	30	90	0	0	0,94	1,04	1,6	1,6	2,26
	1.57.0	29	90	0	0	1,13	1,13	1,32	1,79	1,42
	2.31.0	29	92	0	0	0,94	1,13	1,42	1,6	1,89
	3.5.0	29	92	0	0	1,04	1,23	1,6	1,79	1,23
	3.39.0	29	92	0	0	0,94	1,13	1,04	1,79	1,89
	4.15.0	29	95	0	0	1,04	1,13	1,51	1,98	1,98
	4.50.0	29	95	0	0	0,94	0,94	1,23	1,89	1,42
	5.26.0	28	95	0	0	0,85	1,04	1,6	1,79	1,51
	6.1.0	28	90	0	0	0,94	1,13	1,6	1,89	1,51
	6.36.0	28	92	0,00044	0	1,04	1,23	1,42	1,98	1,98
	7.10.0	28	90	0,00044	0	0,94	1,32	1,6	1,98	1,13
	7.45.0	30	81	0,4104	0	0,85	1,32	1,23	1,98	1,04
	8.18.0	30	81	0,4104	0	0,94	1,23	1,32	1,89	2,45
	8.52.0	33	76	0,77599	0	0,85	1,13	1,7	1,79	2,36
	9.26.0	33	63	0,77599	0	0,94	1,32	1,13	1,89	2,26
	10.1.0	40	60	4,8858	0	0,94	1,13	1,6	1,89	1,7

DATA MONITORING ARUS BOCOR ISOLATOR										
Date	Time (Hour)	Temp. (°C)	Humidity (%)	UV mW/cm2	Rainfall mm/H	Type Insulators				
						Type A	Type B	Type C	Type D	Type E
	10.36.0	40	62	4,8858	0	1,04	1,04	1,04	1,89	1,98
	11.10.0	41	62	7,241	0	0,75	0,94	1,42	1,98	1,6
	11.15.14	33	72	1,06779	2	1,04	1,04	1,32	1,79	1,79
	11.50.0	29	72	1,2123	48	0,75	1,04	1,7	1,89	1,89
	12.25.0	29	66	1,2123	48	1,04	1,23	1,32	1,79	1,89
	13.0.0	32	63	2,38111	0	0,94	1,04	0,94	1,89	1,79
	13.35.0	37	75	6,56018	0	0,94	1,32	1,23	1,89	1,51
	14.9.0	30	80	0,7896	46	0,94	1,13	1,13	1,89	1,7
	14.43.0	30	80	0,7896	46	0,75	1,13	1,7	1,89	1,13
	15.17.0	36	78	6,19707	0	0,94	1,13	1,32	1,89	2,08
	15.51.0	40	78	4,30644	0	1,04	1,13	1,04	1,89	0,75
	16.26.0	40	76	4,30644	0	0,94	1,04	1,42	1,98	1,98
	17.0.0	42	76	1,60322	0	0,85	1,23	1,6	1,89	1,98
	17.35.0	42	75	5,6451	0	0,75	1,04	1,13	1,89	1,13
	18.9.0	40	70	3,48316	0	0,85	1,13	1,23	1,7	1,42
	18.43.0	40	70	3,48316	0	1,04	1,04	1,23	1,79	0,85
	19.17.0	32	75	0,04334	0	1,13	1,23	1,6	1,79	1,89
	19.52.0	32	75	0,04334	0	0,85	1,23	1,13	1,79	1,23
	20.26.0	31	75	0	0	1,13	1,42	1,6	1,79	0,75
	21.1.0	31	74	0	0	1,13	1,23	1,32	1,7	1,7
	21.36.0	30	74	0	0	0,94	1,04	1,51	1,89	1,51
	22.12.0	30	78	0	0	1,13	1,13	1,42	1,98	1,89
	22.46.0	30	80	0	0	0,94	1,04	1,32	1,98	1,6
	23.21.0	29	80	0	0	1,13	1,23	0,94	1,89	1,42
	23.55.0	29	82	0	0	0,94	1,23	1,23	1,79	1,51
21/01/20	0.29.0	29	82	0	0	0,85	1,04	1,7	1,89	1,6
	1.3.0	29	85	0	0	0,94	1,13	1,32	1,79	1,89
	1.37.0	29	85	0	0	1,04	1,13	1,79	1,79	1,89
	2.13.0	29	90	0	0	1,04	1,04	1,42	1,89	0,85
	2.47.0	29	90	0	0	0,94	1,13	1,23	1,98	1,6
	3.22.0	28	92	0	0	0,75	1,04	1,7	1,89	1,42
	3.56.0	28	92	0	0	0,85	1,23	0,85	1,89	1,42
	4.30.0	28	92	0	0	0,75	1,13	0,85	1,89	1,32
	5.4.0	27	90	0	0	0,94	1,23	1,32	1,79	1,6
	5.38.0	27	92	0	9	0,94	1,23	1,51	1,98	0,66
	6.12.0	27	90	0	0	0,75	1,13	1,51	1,79	1,51
	6.46.0	27	81	0	0	1,13	1,04	1,23	1,98	1,6
	7.21.0	28	81	0,24246	0	0,75	1,13	1,32	1,89	1,42
	7.55.0	28	76	0,24246	0	1,13	1,13	1,32	1,89	1,13
	8.29.0	29	63	0,68814	0	0,85	1,04	1,23	1,79	1,23

DATA MONITORING ARUS BOCOR ISOLATOR										
Date	Time (Hour)	Temp. (°C)	Humidity (%)	UV mW/cm2	Rainfall mm/H	Type Insulators				
						Type A	Type B	Type C	Type D	Type E
	9.3.0	33	60	1,60264	0	0,75	1,13	1,13	1,79	1,7
	9.38.0	35	62	2,1	0	1,04	1,04	0,75	1,89	1,23
	10.12.0	36	62	2,2937	0	0,85	1,13	1,42	1,89	1,98
	10.46.0	36	72	2,2937	0	0,94	1,04	1,42	1,98	0,85
	11.21.0	40	72	4,04963	0	1,04	1,04	1,51	1,89	0,38
	11.55.0	38	66	7,55622	0	0,85	1,04	1,7	1,89	1,04
	12.29.0	39	63	7,9959	0	0,85	1,23	1,32	1,89	1,32
	13.4.0	39	75	7,9959	0	0,94	1,04	1,79	1,79	0,75
	13.39.0	38	80	7,9959	0	0,94	1,13	1,23	1,79	1,32
	14.15.0	38	80	7,28199	0	0,85	1,04	1,04	1,89	0,47
	14.50.0	39	78	7,9959	0	0,94	1,04	1,6	1,89	1,51
	15.25.0	39	78	7,81889	0	0,94	1,13	1,23	1,7	1,13
	16.0.0	39	76	7,9959	0	0,85	0,94	1,6	1,7	2,26
	16.36.0	39	76	7,9959	0	0,75	0,85	1,13	1,51	1,51
	17.11.0	41	75	7,9959	0	0,85	1,13	1,42	1,79	1,04
	17.46.0	41	70	4,99605	0	0,94	1,13	1,51	1,7	2,08
	18.21.0	37	70	1,01259	0	1,04	0,85	1,6	1,89	1,23
	18.56.0	35	75	0,34495	0	1,04	1,13	1,23	1,89	1,23
	19.31.0	33	75	0,0019	0	1,04	1,04	1,51	1,7	1,42
	20.7.0	33	75	0,0019	0	0,75	0,94	1,04	1,6	1,13
	20.42.0	32	74	0	0	0,94	1,04	1,51	1,79	0,75
	21.16.0	31	74	0	0	1,04	1,04	1,13	1,7	1,6
	21.51.0	31	78	0	0	0,75	1,13	1,32	1,79	1,79
	22.25.0	31	80	0	0	1,13	1,32	1,32	1,79	0,85
	23.0.0	30	80	0	0	0,85	1,13	1,23	1,79	1,6
	23.35.0	30	82	0	0	0,85	0,94	1,6	1,98	2,08
22/01/20	0.9.0	30	82	0	0	0,94	0,94	1,51	1,98	1,7
	0.44.0	29	85	0	0	1,04	1,13	1,6	1,79	1,79
	1.17.0	29	85	0	0	1,04	1,13	1,51	1,89	1,79
	1.52.0	29	90	0	0	0,85	1,13	1,79	1,79	2,17
	2.26.0	29	90	0	0	0,94	1,23	1,42	1,89	1,32
	3.1.0	29	92	0	0	1,04	1,13	1,6	1,89	1,51
	3.35.0	29	92	0	0	0,94	1,23	1,51	1,7	1,79
	4.9.0	29	92	0	0	0,94	1,13	1,23	1,79	1,51
	4.43.0	28	90	0	0	0,66	1,04	1,23	1,89	1,98
	5.20.0	28	92	0	0	1,04	1,23	1,42	1,89	1,23
	5.55.0	28	90	0	0	1,04	1,04	1,04	1,79	1,13
	6.31.0	28	81	0	0	0,85	0,94	1,6	1,89	1,89
	7.5.0	28	81	0	0	0,85	0,94	1,32	1,89	2,08
	7.39.0	29	76	0,34407	0	0,85	1,04	1,13	1,89	2,45

DATA MONITORING ARUS BOCOR ISOLATOR										
Date	Time (Hour)	Temp. (°C)	Humidity (%)	UV mW/cm2	Rainfall mm/H	Type Insulators				
						Type A	Type B	Type C	Type D	Type E
	8.14.0	29	63	0,34407	0	0,75	1,13	1,04	1,89	1,51
	8.49.0	32	60	0,7511	0	0,85	0,94	1,13	1,98	2,36
	9.24.0	38	62	3,51186	0	1,04	1,04	1,7	1,98	1,32
	10.0.0	38	62	5,28404	0	1,04	0,94	1,23	1,98	2,26
	10.35.0	41	72	6,10732	0	0,94	1,23	1,42	1,98	1,13
	11.11.0	41	72	6,10732	0	0,85	1,04	1,7	1,98	1,79
	11.46.0	39	66	7,9959	0	0,75	1,04	1,32	1,89	1,7
	12.21.0	40	63	7,9959	0	0,85	1,04	1,51	1,98	1,6
	12.56.0	40	75	7,9959	0	0,85	1,23	1,32	1,79	2,26
	13.31.0	40	80	2,30937	0	0,94	1,23	1,6	1,89	1,23
	14.6.0	41	80	4,34788	0	0,94	1,04	1,6	1,89	1,42
	14.41.0	38	78	4,45081	0	0,85	1,13	1,23	1,89	1,7
	15.17.0	38	78	4,45081	0	0,66	1,13	1,6	1,89	0,75
	15.52.0	40	76	2,96633	0	0,85	0,94	1,6	1,7	1,7
	16.28.0	40	76	7,9959	0	0,85	1,13	1,7	1,79	1,51
	17.3.0	40	75	5,93411	0	0,57	1,13	1,23	1,98	1,89
	17.38.0	40	70	5,68712	0	0,94	0,94	1,7	1,79	0,94
	18.12.0	40	70	5,68712	0	1,04	1,04	1,6	1,98	1,04
	18.47.0	35	75	1,1063	0	1,04	0,94	1,79	1,98	1,7
	19.22.0	33	75	0,04978	60	0,85	1,04	1,42	1,89	1,04
	19.57.0	32	75	0	0	0,94	1,13	1,51	1,89	1,42
	20.31.0	32	74	0	0	0,94	1,04	1,51	1,98	1,98
	21.5.0	31	74	0	0	0,85	1,04	1,51	1,98	0,94
	21.40.0	31	78	0	0	0,85	1,04	1,51	1,89	1,32
	22.15.0	31	80	0	0	0,85	1,04	1,7	1,89	1,79
	22.50.0	30	80	0	0	0,94	1,23	1,42	1,7	1,13
	23.24.0	30	82	0	0	0,75	1,04	1,51	1,89	1,7
	23.59.0	30	82	0	0	0,94	1,04	1,13	1,79	1,23
23/01/20	0.35.0	29	85	0	0	0,75	1,04	1,32	1,7	1,32
	1.11.0	29	85	0	0	0,94	1,04	1,13	1,79	1,13
	1.46.0	29	90	0	0	0,94	1,13	1,51	1,79	1,6
	2.20.0	29	90	0	0	0,94	1,13	1,32	1,89	1,98
	2.54.0	29	92	0	0	0,85	1,04	1,42	1,89	2,45
	3.28.0	29	92	0	0	0,85	1,04	1,32	1,79	1,32
	4.4.0	29	92	0	0	0,75	1,13	1,23	1,89	1,04
	4.39.0	28	95	0	0	0,75	1,13	1,51	1,89	1,6
	5.15.0	28	95	0	0	0,94	1,04	1,32	1,79	0,94
	5.50.0	28	95	0	0	0,85	1,13	1,42	1,79	1,04
	6.26.0	28	95	0	0	0,75	1,13	1,79	1,98	1,04
	7.1.0	28	95	0	0	0,85	1,23	1,7	1,79	1,23

DATA MONITORING ARUS BOCOR ISOLATOR										
Date	Time (Hour)	Temp. (°C)	Humidity (%)	UV mW/cm2	Rainfall mm/H	Type Insulators				
						Type A	Type B	Type C	Type D	Type E
	7.37.0	29	95	0,3284	0	0,94	1,13	0,94	1,98	0,75
	8.13.0	29	95	0,3284	0	0,85	1,13	1,51	1,98	1,13
24/01/20	8.47.0	32	95	0,61288	0	0,75	1,04	1,32	1,89	0,94
	9.23.0	32	95	0,61288	0	1,04	0,94	1,13	1,89	1,13
	9.57.0	38	95	3,2347	0	0,85	1,04	1,6	1,98	2,08
	10.32.0	38	95	4,66076	0	0,85	1,04	1,6	1,89	1,51
	11.7.0	39	95	5,83104	0	0,94	1,04	1,23	1,79	1,7
	11.42.0	40	95	7,9959	0	0,66	1,13	1,13	1,79	1,23
	12.17.0	40	95	7,9959	0	0,85	0,94	1,79	1,89	1,7
	12.52.0	44	81	7,9959	0	0,94	1,13	1,6	1,89	0,38
	13.27.0	42	90	7,9959	10	1,04	1,04	1,04	1,89	1,51
	14.2.0	40	94	6,4899	0	0,75	0,94	1,6	1,79	1,98
	14.37.0	41	89	7,9959	0	1,04	1,23	1,6	1,89	1,51
	15.12.0	41	93	7,9959	52	0,94	0,85	1,51	1,89	2,26
	15.47.0	37	95	4,53338	12	0,75	1,13	1,7	1,89	1,79
	16.22.0	37	95	4,01698	0	0,66	1,04	1,7	1,98	1,23
	16.57.0	37	95	4,01698	0	0,57	1,13	1,6	1,79	0,66
	17.32.0	35	95	1,01801	0	0,94	0,94	1,7	1,79	1,51
	18.8.0	35	95	0,88726	0	0,66	0,94	1,79	1,89	1,51
	18.43.0	35	95	0,57584	0	0,66	0,94	1,7	1,98	0,28
	19.18.0	32	95	0,02343	0	0,75	1,04	1,6	1,89	0,47
	19.53.0	31	95	0	0	0,66	0,94	1,6	1,89	0,85
	20.28.0	30	95	0	0	1,04	1,23	1,42	1,89	2,26
	21.2.0	30	95	0	0	0,94	1,04	1,32	1,89	2,08
	21.37.0	30	95	0	0	0,85	1,13	1,13	1,79	1,98
	22.12.0	30	95	0	0	0,75	1,04	1,51	1,79	1,13
	22.48.0	29	95	0	0	0,94	1,04	1,42	1,6	1,6
	23.24.0	29	95	0	0	0,85	1,13	1,6	1,89	1,51
	23.59.0	29	95	0	0	0,94	1,23	1,32	1,79	0,94
	0.33.0	29	95	0	0	0,85	1,13	1,6	1,89	2,26
1.7.0	28	95	0	0	1,04	1,04	0,94	1,79	2,26	
1.41.0	28	95	0	0	0,85	1,23	1,6	1,79	1,13	
2.15.0	28	95	0	0	0,85	1,13	1,32	1,7	1,51	
2.50.0	28	95	0	0	1,04	1,13	1,51	1,79	1,6	
3.23.0	28	95	0	0	0,85	1,04	1,51	1,98	2,55	
3.58.0	28	95	0	0	0,66	1,32	1,42	1,89	1,98	
4.32.0	28	95	0	0	0,75	1,23	1,32	1,79	1,89	
5.6.0	28	95	0	0	0,75	1,04	0,94	1,89	1,51	
5.41.0	28	95	0	0	0,85	0,94	1,32	1,89	1,42	
6.16.0	28	95	0	0	0,85	1,13	1,23	1,89	1,42	

DATA MONITORING ARUS BOCOR ISOLATOR										
Date	Time (Hour)	Temp. (°C)	Humidity (%)	UV mW/cm2	Rainfall mm/H	Type Insulators				
						Type A	Type B	Type C	Type D	Type E
	6.50.0	27	95	0,01215	0	0,85	1,04	0,94	1,89	1,13
	7.26.0	27	95	0,01215	0	0,57	1,13	1,23	1,89	1,32
	8.1.0	29	95	0,39766	0	0,85	1,04	0,57	1,89	2,36
	8.36.0	31	95	0,49722	0	1,04	1,04	0,85	1,89	1,89
	9.10.0	31	95	0,49722	0	0,75	1,04	1,04	1,89	0,38
	9.44.0	38	95	4,10586	0	1,04	1,32	1,13	1,89	1,7
	10.19.0	38	95	4,10586	0	1,04	1,13	0,94	1,89	2,26
	10.54.0	40	95	5,87452	0	0,94	0,94	1,32	1,98	1,98
	11.29.0	39	95	6,96969	0	0,85	1,04	0,94	1,79	1,04
	12.4.0	39	95	7,9959	0	0,75	1,13	1,13	1,98	1,32
	12.39.0	42	89	2,03353	0	0,94	1,13	0,75	1,98	1,13
	13.15.0	37	95	2,29122	0	0,94	1,04	1,23	1,89	1,79
	13.50.0	39	95	7,9959	0	0,85	1,04	1,51	1,79	1,13
	14.26.9	39	95	7,51669	0	1,04	1,32	1,79	1,7	2,08
	15.0.0	38	95	7,11464	0	0,85	1,13	1,7	1,79	1,6
	15.34.0	38	95	6,68565	0	0,94	1,13	1,23	1,89	1,98
	16.8.0	38	95	6,68565	0	1,04	1,13	1,7	1,89	2,08
	16.42.0	37	95	2,23324	0	0,94	0,94	1,04	1,89	0,75
	17.17.0	37	95	2,23324	0	0,85	0,94	1,42	1,79	1,98
	17.52.0	35	95	1,19517	0	0,75	1,13	1,7	1,7	1,98
	18.26.0	33	95	0,67291	0	0,85	1,04	1,79	1,79	1,98
	19.0.0	32	95	0,46984	0	0,75	1,13	1,6	1,79	1,89
	19.35.0	31	95	0,00088	0	0,85	1,04	1,51	1,79	1,32
	20.10.0	30	95	0	0	0,94	1,04	1,04	1,79	1,23
	20.44.0	30	95	0	0	0,75	1,13	1,32	1,89	1,98
	21.19.0	30	95	0	0	1,04	1,13	1,23	1,89	1,98
	21.54.0	30	95	0	0	0,94	1,13	1,51	1,79	1,79
	22.29.0	29	95	0	0	0,94	1,04	1,42	1,79	1,6
	23.4.0	29	95	0	0	0,85	1,04	1,42	1,7	1,32
	23.39.0	29	95	0	0	0,85	1,04	1,79	1,89	2,26
25/01/20	0.13.0	29	95	0	0	0,85	1,13	1,04	1,89	1,79
	0.48.0	29	95	0	0	1,13	1,13	1,51	1,89	1,98
	1.25.0	28	95	0	0	0,94	1,23	1,23	1,89	1,6
	2.0.0	28	95	0	0	0,75	1,04	1,04	1,89	1,98
	2.37.0	28	95	0	0	0,75	1,04	1,32	1,98	1,04
	3.12.0	28	95	0	0	0,94	1,13	1,04	1,79	1,6
	3.48.0	28	95	0	0	0,94	1,23	1,23	1,89	1,13
	4.25.0	28	95	0	0	0,85	1,13	1,23	1,7	2,08
	4.59.0	27	95	0	0	0,94	1,04	1,51	1,7	1,13
	5.34.0	28	95	0	0	1,13	1,42	1,13	1,79	2,36

DATA MONITORING ARUS BOCOR ISOLATOR										
Date	Time (Hour)	Temp. (°C)	Humidity (%)	UV mW/cm2	Rainfall mm/H	Type Insulators				
						Type A	Type B	Type C	Type D	Type E
	6.8.0	27	95	0	0	1,23	1,42	0,94	1,7	2,36
	6.44.0	27	95	0	0	1,23	1,42	0,75	1,7	1,7
	7.17.0	27	95	0,00234	0	0,85	1,04	1,32	1,89	1,98
	7.51.0	28	95	0,18053	0	0,85	1,04	0,75	1,79	2,36
	8.24.0	31	95	0,48111	0	0,85	1,04	1,23	1,7	2,08
	9.0.0	31	95	0,48111	0	1,13	1,23	0,85	1,79	1,13
	9.35.0	32	95	1,76764	0	1,23	1,32	0,94	1,79	2,08
	10.10.0	40	95	3,96867	0	1,23	1,32	1,32	1,7	1,51
	10.45.0	40	95	5,08346	0	0,38	0,94	1,04	1,79	1,89
	11.20.0	42	93	6,00527	0	0,57	1,04	0,75	1,79	1,13
	11.55.0	41	95	7,9959	0	0,85	1,13	0,75	1,79	2,36
	12.30.0	41	95	7,9959	0	0,66	1,23	0,75	1,79	2,45
	13.5.0	42	85	7,9959	0	0,75	1,04	0,75	1,89	1,51
	13.40.0	44	87	7,9959	0	0,85	1,13	1,32	1,89	1,32
	14.16.0	44	87	7,9959	0	0,75	1,32	1,13	1,98	1,89
	14.51.0	41	95	7,9959	0	0,94	1,04	1,6	1,98	1,51
	15.25.0	39	95	7,9959	0	0,85	1,13	1,42	1,89	1,6
	16.0.0	41	90	7,9959	0	0,94	1,04	1,32	1,79	2,36
	16.35.0	42	90	6,21127	0	0,85	1,23	1,6	1,89	1,89
	17.9.0	42	90	6,21127	0	0,85	0,94	1,51	1,89	1,42
	17.43.0	40	92	1,65095	0	0,85	0,94	1,42	1,51	1,13
	18.18.0	36	95	0,58755	0	0,75	1,23	1,04	1,89	2,36
	18.52.0	33	95	0,25959	0	0,94	0,94	1,6	1,7	2,36
	19.27.0	33	95	0,01025	0	0,94	1,04	1,6	1,7	1,23
	20.3.0	32	95	0	0	0,75	1,32	1,6	1,79	2,08
20.39.0	32	95	0	0	1,04	1,04	1,23	1,7	2,08	
21.13.0	31	95	0	0	0,85	1,13	1,51	1,7	1,98	
21.48.0	32	95	0	0	0,94	1,04	1,6	1,89	2,26	
22.23.0	31	95	0	0	0,85	1,04	1,32	1,79	2,08	
22.58.0	31	95	0	0	0,94	1,04	1,6	1,7	2,45	
23.32.0	31	95	0	0	1,13	1,04	1,51	1,79	1,6	
26/01/20	0.8.0	30	90	0	0	0,94	1,13	1,51	1,89	1,6
	0.43.0	31	92	0	0	0,75	1,13	1,32	1,79	2,36
	1.17.0	30	90	0	0	0,75	1,04	1,6	1,79	2,36
	1.51.0	30	81	0	0	0,85	1,13	1,6	1,79	2,26
	2.26.0	30	81	0	0	1,04	1,13	1,6	1,7	0,75
	3.1.0	30	76	0	0	0,85	1,13	1,6	1,98	0,85
	3.37.0	29	63	0	0	0,75	1,13	1,42	1,98	1,6
	4.12.0	29	60	0	0	0,85	1,23	1,04	1,79	2,08
	4.47.0	29	62	0	0	0,66	1,23	1,23	1,89	2,36

DATA MONITORING ARUS BOCOR ISOLATOR										
Date	Time (Hour)	Temp. (°C)	Humidity (%)	UV mW/cm2	Rainfall mm/H	Type Insulators				
						Type A	Type B	Type C	Type D	Type E
	5.21.0	29	62	0	0	1,13	0,94	1,79	1,79	2,26
	5.56.0	27	72	0	9	0,94	0,94	1,32	1,79	1,13
	6.31.0	27	72	0	9	0,75	1,13	1,6	1,89	2,26
	7.5.0	28	66	0	0	1,04	1,13	1,7	1,98	2,26
	7.40.0	28	63	0,30981	0	0,75	1,32	1,32	1,98	1,51
	8.14.0	28	75	0,30981	0	1,04	1,13	1,04	1,89	2,08
	8.49.0	30	80	0,65051	0	0,85	1,13	1,13	1,98	1,89
	9.25.0	34	80	1,65154	0	0,85	1,13	1,51	1,7	2,36
	9.59.0	37	78	3,65286	0	0,85	1,32	1,42	1,89	2,17
	10.33.0	37	78	3,65286	0	0,75	1,13	1,51	1,89	1,98
	11.8.0	37	76	3,8754	0	0,85	1,13	1,6	1,79	1,51
	11.43.0	37	76	3,88858	0	0,85	1,23	1,6	1,89	1,89
	12.18.0	35	75	3,12006	0	0,94	1,13	1,6	1,89	1,89
	12.53.0	37	70	4,40835	0	0,85	1,13	1,6	1,89	2,26
	13.27.0	37	70	4,40835	0	0,94	1,23	1,51	1,79	2,45
	14.2.0	37	75	3,75344	0	0,85	1,23	1,51	1,79	1,51
	14.37.0	37	75	3,75344	0	0,85	1,13	1,7	1,89	1,79
	15.12.0	37	75	2,80322	0	0,85	1,04	1,6	1,79	1,7
	15.47.0	36	74	2,27613	0	0,85	1,04	1,51	1,98	1,89
	16.22.0	35	74	1,09122	0	0,75	1,04	1,42	1,7	1,98
	16.57.0	35	78	1,41962	0	0,85	0,94	1,6	1,7	1,7
	17.32.0	35	80	1,41962	0	1,13	1,13	1,51	1,89	1,89
	18.6.0	38	80	1,61098	0	0,57	1,04	1,42	1,89	1,7
	18.41.0	40	82	1,00527	0	0,85	1,13	1,42	1,79	1,42
	19.16.0	33	82	0,04583	0	1,04	1,04	1,6	1,79	1,13
	19.51.0	32	85	0	0	1,13	1,23	1,04	1,89	1,23
	20.27.0	32	85	0	0	1,04	1,13	1,23	1,6	2,17
	21.2.0	31	90	0	0	0,75	1,23	1,51	1,89	1,6
	21.37.0	31	90	0	0	0,94	1,32	1,6	1,79	1,98
	22.12.0	30	92	0	0	0,94	1,13	1,6	1,79	1,6
	22.47.0	30	92	0	0	0,75	1,13	1,42	1,7	1,98
	23.22.0	30	92	0	0	1,04	0,94	1,7	1,7	1,51
	23.57.0	30	90	0	0	0,85	1,13	1,51	1,89	1,32
27/01/20	0.31.0	30	92	0	0	0,85	1,13	1,32	1,89	1,04
	1.5.0	30	90	0	0	0,85	1,13	1,6	1,7	1,98
	1.40.0	29	81	0	0	0,85	1,13	1,42	1,89	1,42
	2.17.0	29	81	0	0	0,94	0,94	1,79	1,89	1,89
	2.52.0	29	76	0	0	1,04	1,23	1,42	1,89	1,23
	3.26.0	29	63	0	0	1,04	1,04	0,85	1,79	2,45
	4.1.0	29	60	0	0	1,04	1,04	1,6	1,89	1,6

DATA MONITORING ARUS BOCOR ISOLATOR										
Date	Time (Hour)	Temp. (°C)	Humidity (%)	UV mW/cm2	Rainfall mm/H	Type Insulators				
						Type A	Type B	Type C	Type D	Type E
	4.37.0	28	62	0	0	1,13	1,23	1,42	1,79	1,6
	5.12.0	28	62	0	0	0,94	1,13	1,42	1,89	1,6
	5.46.0	28	72	0	0	0,75	0,94	1,51	1,89	1,98
	6.23.0	28	72	0	0	0,85	1,13	1,42	1,98	0,85
	6.58.0	28	66	0,03602	0	0,75	0,94	1,7	1,89	1,6
	7.32.0	28	63	0,03602	0	0,94	1,04	0,75	1,79	1,89
	8.8.0	30	75	0,42606	0	0,94	1,13	1,51	1,89	2,36
	8.42.0	30	80	0,42606	0	0,94	1,04	1,32	1,98	1,89
	9.18.0	32	80	0,52211	0	0,85	1,13	1,13	1,79	0,75
	9.53.0	37	78	2,48902	0	0,85	0,94	1,42	1,79	1,89
	10.27.0	38	78	6,55139	0	1,04	1,32	1,6	1,89	1,32
	11.9.23	39	76	7,9959	0	1,23	1,51	1,32	1,98	1,7
	11.44.0	39	76	7,9959	0	0,94	1,13	0,28	1,89	2,36
	12.19.0	39	75	7,9959	0	0,85	1,04	1,51	1,98	2,26
	12.54.0	43	70	7,9959	0	0,94	1,04	1,23	1,89	1,42
	13.29.0	38	70	7,9959	0	0,94	1,13	1,7	1,89	1,42
	14.4.0	41	75	7,9959	0	0,85	1,13	1,32	1,89	1,98
	14.39.0	38	75	7,9959	0	0,85	1,13	1,42	1,98	1,51
	15.14.0	39	75	7,9959	0	0,94	1,13	1,6	1,79	2,26
	15.49.0	39	74	7,9959	0	0,75	1,04	1,23	1,89	2,26
	16.24.0	38	74	2,69107	0	0,94	1,04	1,32	1,89	1,89
	16.59.0	38	78	2,69107	0	0,75	1,04	1,51	1,79	1,98
	17.34.0	35	80	0,60264	0	0,94	1,04	1,7	1,79	1,79
	18.8.0	33	80	0,12972	0	1,04	1,23	1,51	1,98	2,26
	18.43.0	33	82	0,05944	0	0,75	1,23	1,6	1,89	1,42
	19.18.0	33	82	0,0429	0	1,04	0,94	1,51	1,89	2,08
	19.53.0	32	85	0	0	0,75	1,13	1,23	1,89	1,98
	20.28.0	32	85	0	0	0,57	1,04	1,04	1,89	1,79
	21.3.0	31	90	0	0	0,75	1,13	1,6	1,79	2,26
	21.38.0	31	90	0	0	0,85	0,94	1,23	1,89	1,23
	22.13.0	30	92	0	0	0,85	1,13	1,04	1,89	1,98
	22.48.0	30	92	0	0	0,85	1,13	1,42	1,79	1,6
	23.23.0	30	92	0	0	0,85	1,04	1,7	1,89	1,89
	23.58.0	29	90	0	0	0,85	1,13	1,6	1,89	1,13
28/01/20	0.35.0	29	92	0	0	0,94	1,32	1,7	1,89	2,36
	1.11.0	29	90	0	0	1,04	1,13	1,7	1,89	1,51
	1.46.0	29	81	0	0	0,85	1,04	1,7	1,89	2,36
	2.22.0	29	81	0	0	0,85	1,04	1,42	1,7	1,89
	2.58.0	29	76	0	0	0,75	1,13	1,13	1,89	1,51
	3.33.0	29	63	0	0	0,85	1,04	1,51	1,89	1,51

DATA MONITORING ARUS BOCOR ISOLATOR										
Date	Time (Hour)	Temp. (°C)	Humidity (%)	UV mW/cm2	Rainfall mm/H	Type Insulators				
						Type A	Type B	Type C	Type D	Type E
	4.9.0	29	60	0	0	1,04	1,23	1,89	1,98	1,51
	4.44.0	29	62	0	0	0,85	1,13	1,23	1,89	1,89
	5.20.0	28	62	0	0	0,94	1,04	1,51	1,89	1,98
	5.54.0	28	72	0	0	0,75	1,13	1,32	1,89	1,13
	6.28.0	28	72	0	0	0,75	1,04	0,85	1,79	1,42
	7.3.0	28	66	0	0	1,04	1,04	1,6	1,79	1,51
	7.37.0	28	63	0,06237	0	0,75	1,13	0,94	1,79	0,94
	8.12.0	29	75	0,30688	0	0,66	1,23	0,94	1,79	2,26
	8.47.0	31	80	0,44744	0	0,85	1,23	0,94	1,89	1,6
	9.22.0	38	80	2,23075	0	0,94	0,94	1,42	1,89	1,89
	9.58.0	38	78	2,23075	0	0,85	1,04	1,32	1,89	1,89
	10.32.0	39	78	6,54846	0	1,04	1,23	1,42	1,89	2,26
	11.8.0	39	76	6,54846	0	1,04	1,23	1,23	1,98	2,36
	11.43.0	40	76	7,9959	0	0,85	1,13	1,6	1,89	1,6
	12.18.0	41	75	7,9959	0	0,85	1,04	1,7	1,89	2,17
	12.53.0	43	70	7,9959	0	1,13	1,13	1,13	1,89	2,45
	13.28.0	39	70	7,9959	0	0,75	1,04	1,6	1,89	0,66
	14.3.0	40	75	7,9959	0	0,94	1,04	1,6	1,79	0,47
	14.38.0	40	75	7,9959	0	0,85	1,04	1,7	1,79	1,98
	15.13.0	39	75	7,9959	0	0,66	1,04	1,51	1,89	1,51
	15.48.0	39	74	3,68712	0	0,94	1,13	1,6	1,89	0,57
	16.23.0	36	74	1,7672	0	0,85	1,04	1,51	1,79	1,89
	16.58.0	36	78	1,7672	0	0,66	1,04	1,42	1,7	1,6
	17.33.0	34	80	0,22592	0	0,85	0,94	1,42	1,79	2,36
	18.8.0	34	80	0,22592	0	0,75	1,13	1,51	1,79	1,79
	18.43.0	34	82	0,16149	0	0,85	1,04	1,32	1,89	2,26
	19.18.0	33	82	0,13953	0	0,66	1,04	1,32	1,79	1,79
	19.53.0	33	85	0,03016	0	0,66	1,13	1,51	1,79	2,08
	20.28.0	32	85	0	0	0,75	1,13	1,32	1,79	1,79
	21.3.0	32	90	0	0	0,94	1,32	1,23	1,98	1,6
	21.38.0	31	90	0	0	1,04	1,13	1,6	1,7	1,51
	22.14.0	31	92	0	0	0,94	1,04	1,7	1,79	2,17
	22.49.0	30	92	0	0	0,75	1,04	1,6	1,7	1,98
	23.24.0	30	92	0	0	0,85	1,13	1,51	1,79	2,17
	23.59.0	30	95	0	0	0,85	1,04	1,7	1,89	1,98
29/01/20	0.35.0	29	95	0	0	0,75	1,23	1,51	1,89	1,23
	1.11.0	29	95	0	0	0,94	1,13	1,6	1,89	2,55
	1.46.0	29	95	0	0	0,94	1,13	1,42	1,89	1,6
	2.23.0	29	90	0	0	0,75	1,13	1,51	1,89	1,51
	2.57.0	29	92	0	0	0,85	1,04	0,94	1,98	1,79

DATA MONITORING ARUS BOCOR ISOLATOR										
Date	Time (Hour)	Temp. (°C)	Humidity (%)	UV mW/cm2	Rainfall mm/H	Type Insulators				
						Type A	Type B	Type C	Type D	Type E
	3.31.0	29	90	0	0	0,85	1,13	1,51	1,98	1,98
	4.6.0	29	81	0	0	0,85	0,94	1,32	1,98	2,36
	4.41.0	28	81	0	0	0,75	1,13	1,6	1,7	1,13
	5.15.0	29	76	0	0	1,04	1,13	1,23	1,89	1,7
	5.50.0	29	63	0	0	0,85	1,04	1,51	1,89	2,55
	6.23.0	29	60	0	0	0,85	1,13	1,6	1,79	1,98
	6.59.0	28	62	0,03119	0	0,85	0,94	1,51	1,89	1,98
	7.34.0	29	62	0,30307	0	0,94	1,13	1,42	1,98	1,23
	8.10.0	29	72	0,30307	0	0,85	1,13	1,04	1,89	1,89
	8.44.0	32	72	0,55725	0	0,75	1,13	1,13	1,89	1,98
	9.20.0	36	66	2,19268	0	0,66	1,13	0,66	1,89	1,98
	9.55.0	36	63	2,19268	0	0,85	1,13	1,7	1,89	2,36
	10.30.0	39	75	6,46457	0	0,75	1,23	1,51	1,98	1,51
	11.4.0	39	80	6,46457	0	0,75	1,04	1,04	1,89	1,7
	11.39.0	42	80	7,75827	0	0,85	1,13	1,79	1,98	1,13
	12.13.0	36	78	2,78858	0	0,94	1,32	1,79	1,98	2,45
	12.48.0	36	78	2,78858	0	0,94	1,13	1,79	1,98	1,51
	13.23.0	38	76	5,45769	0	0,94	1,13	1,13	1,89	1,51
	13.58.0	39	76	7,9959	0	1,04	1,13	1,32	1,79	1,51
	14.32.0	37	75	4,22489	0	0,85	1,04	1,51	1,98	0,66
	15.8.0	37	70	7,9959	0	0,75	1,13	1,13	1,7	2,45
	15.43.0	38	70	2,51391	0	0,85	1,23	1,6	1,89	1,13
	16.18.0	38	75	7,9959	0	1,04	1,04	1,23	1,79	1,32
	16.53.0	37	75	7,9959	0	0,94	1,13	1,6	1,89	1,7
	17.27.0	37	75	7,9959	0	0,75	1,04	1,79	1,89	2,26
	18.1.0	38	74	4,24348	0	1,13	1,13	1,42	1,89	0,47
	18.35.0	35	74	1,4631	0	0,94	1,13	1,6	1,98	2,36
	19.10.0	34	78	0,17613	0	0,94	0,94	1,79	1,79	1,79
	19.45.0	34	80	0,17613	0	0,57	1,13	1,7	1,79	1,42
	20.20.0	33	80	0	0	0,85	1,04	1,7	1,89	1,89
	20.56.0	33	82	0	0	0,85	1,13	1,7	1,7	2,08
	21.31.0	33	82	0	0	0,85	0,94	1,42	1,98	1,98
	22.6.0	32	85	0	0	0,85	1,13	1,42	1,98	2,36
	22.42.0	32	85	0	0	0,85	1,13	1,51	1,89	2,26
	23.17.0	32	90	0	0	0,85	0,94	1,42	1,79	2,36
	23.52.0	32	90	0	0	0,94	1,13	1,51	1,79	1,89
30/01/20	0.28.0	31	92	0	0	0,66	1,23	1,6	1,79	2,36
	1.2.0	31	92	0	0	1,04	0,94	1,6	1,7	1,89
	1.38.0	30	92	0	0	0,75	0,94	1,23	1,79	1,32
	2.12.0	30	95	0	0	0,94	1,04	1,42	1,89	2,26

DATA MONITORING ARUS BOCOR ISOLATOR										
Date	Time (Hour)	Temp. (°C)	Humidity (%)	UV mW/cm2	Rainfall mm/H	Type Insulators				
						Type A	Type B	Type C	Type D	Type E
	2.47.0	30	95	0	0	0,94	1,13	1,42	1,7	1,98
	3.24.0	29	90	0	0	0,94	1,13	1,42	1,79	2,08
	3.59.0	29	92	0	0	0,85	1,13	1,6	1,89	2,08
	4.34.0	29	90	0	2	0,94	1,13	1,7	1,79	2,45
	5.8.0	29	81	0	2	1,13	1,04	1,42	1,98	1,98
	5.42.0	29	81	0	1	0,94	1,13	1,6	1,89	1,13
	6.17.0	29	76	0	0	0,75	1,04	1,6	1,79	1,89
	6.52.0	29	63	0	0	0,85	1,04	1,7	1,98	2,17
	7.28.0	29	60	0,20791	0	1,04	1,04	1,51	1,89	1,6
	8.3.0	30	62	0,49473	0	0,85	1,04	1,6	1,89	1,13
	8.37.0	32	62	0,85256	0	0,85	1,04	1,42	1,79	1,6
	9.12.0	35	72	2,13119	0	0,94	0,94	1,79	1,98	1,7
	9.47.0	40	72	4,91845	0	0,94	1,04	1,6	1,98	1,98
	10.22.0	38	66	5,83397	0	1,04	1,13	1,42	1,98	2,26
	10.57.0	38	63	6,13807	0	0,94	1,13	1,32	1,89	1,89
	11.33.0	39	75	7,9959	0	1,23	1,32	1,7	1,89	1,51
	12.8.0	39	80	7,9959	0	0,94	1,32	1,42	1,89	1,98
	12.43.0	37	80	2,43968	0	1,04	1,23	1,6	1,89	1,13
	13.17.0	37	78	2,43968	0	1,04	1,32	1,6	1,89	2,26
	13.52.0	36	78	1,83587	0	1,23	1,23	1,7	1,98	2,45
	14.28.0	37	76	3,08492	0	1,04	1,32	1,79	1,98	2,17
	15.3.0	38	76	7,41274	0	1,04	1,13	1,6	1,79	2,36
	15.38.0	38	75	7,41274	0	1,04	1,04	1,79	1,79	1,51
	16.13.0	36	70	1,76955	0	0,94	1,32	1,6	1,79	2,36
	16.47.0	35	70	2,44114	0	0,75	1,23	1,6	1,7	1,42
	17.22.0	35	75	2,44114	0	0,85	1,23	1,51	1,89	1,23
	17.57.0	34	75	0,94041	0	0,85	1,04	1,51	1,89	2,45
	18.32.0	34	75	0,51083	0	0,85	1,13	1,7	1,98	1,98
	19.7.0	33	74	0,07452	0	0,66	1,13	1,51	1,89	2,08
	19.42.0	33	74	0,07452	0	0,85	1,13	1,6	1,89	2,08
	20.17.0	29	78	0	0	0,85	0,94	1,79	1,98	2,08
	20.52.0	30	80	0	0	0,85	1,04	1,42	1,98	1,98
	21.27.0	30	80	0	0	0,75	1,04	1,51	1,98	2,26
	22.2.0	27	82	0	21	0,75	1,04	1,42	1,98	1,89
	22.36.0	27	82	0	21	1,04	1,13	1,79	1,98	2,26
	23.11.0	27	85	0	11	0,85	1,13	1,23	1,89	1,6
	23.46.0	28	85	0	2	1,13	1,42	1,32	1,98	1,98
31/01/20	0.21.0	28	90	0	11	1,13	1,32	1,6	1,79	2,36
	0.57.0	28	90	0	11	1,04	0,94	1,6	1,79	1,32
	1.31.0	28	92	0	1	1,04	1,13	1,32	1,89	1,98

DATA MONITORING ARUS BOCOR ISOLATOR										
Date	Time (Hour)	Temp. (°C)	Humidity (%)	UV mW/cm2	Rainfall mm/H	Type Insulators				
						Type A	Type B	Type C	Type D	Type E
	2.5.0	28	92	0	0	0,94	1,04	0,94	1,79	2,17
	2.39.0	28	92	0	0	0,94	1,04	1,13	1,98	1,98
	3.15.0	26	90	0	4	0,75	1,13	0,94	1,79	2,26
	3.50.0	27	92	0	3	0,94	1,13	1,51	1,79	1,6
	4.25.0	27	90	0	2	0,66	1,13	1,32	1,7	1,98
	5.1.0	28	81	0	1	0,57	1,32	0,94	1,7	1,98
	5.35.0	28	81	0	1	0,66	1,13	1,42	1,7	1,51
	6.11.0	28	76	0	0	0,85	1,04	1,42	1,79	2,26
	6.47.0	28	63	0	0	0,94	1,04	0,85	1,7	1,51
	7.33.0	28	60	0,20688	0	1,13	1,42	1,6	1,79	2,36
	8.9.0	28	62	0,20835	0	1,23	1,32	1,6	1,89	2,17
	8.43.0	29	62	0,67936	0	1,23	1,32	1,42	1,89	1,7
	9.16.0	31	72	1,51479	0	1,13	1,32	1,32	1,7	2,45
	9.51.0	31	72	1,44261	0	0,94	1,42	1,32	1,79	2,45
	10.26.0	32	66	1,8593	0	1,13	1,42	1,6	1,79	1,7
	11.1.0	29	63	1,15652	0	1,32	1,42	1,13	1,79	2,45
	11.35.0	29	75	1,15652	0	1,32	1,42	1,51	1,98	1,98
	12.11.0	27	80	1,56896	6	1,23	1,13	1,6	1,79	1,89
	12.46.0	27	80	0,46457	40	0,94	1,04	1,6	1,7	2,36
	13.21.0	30	78	2,94963	0	0,85	1,13	1,42	1,79	2,36
	13.56.0	33	78	3,47335	0	0,94	0,94	1,51	1,79	2,45
	14.31.0	35	76	3,41479	0	0,85	1,04	1,04	1,79	2,26
	15.5.0	35	76	3,41479	0	0,75	1,04	1,51	1,79	2,36
	15.40.0	34	75	2,2937	0	0,75	1,04	1,51	1,89	2,36
	16.15.0	34	70	1,24832	0	0,75	1,13	1,32	1,7	2,45
	16.50.0	34	70	1,96325	0	1,13	1,51	1,6	1,79	2,36
	17.24.0	33	75	0,51581	0	1,23	1,32	1,51	1,79	2,55
	17.59.0	26	75	0,16105	15	1,23	1,23	1,6	1,79	1,51
	18.34.0	27	75	0,48551	5	0,85	1,23	1,13	1,79	2,36
	18.47.38	26	74	0,141	0	1,04	1,04	1,7	1,7	1,79
	19.22.0	27	74	0,00483	0	0,85	1,04	1,32	1,79	2,36
	19.57.0	27	78	0	0	0,94	1,13	1,6	1,79	2,45
	20.32.0	27	80	0	0	0,94	1,04	1,32	1,79	1,98
	21.6.0	27	80	0	0	0,85	1,13	1,32	1,7	2,45
	21.40.0	27	82	0	0	0,75	1,23	1,42	1,89	2,55
	22.14.0	27	82	0	0	0,94	1,13	1,32	1,79	1,98
	22.48.0	27	85	0	0	0,85	1,04	1,51	1,89	2,36
	23.22.0	27	85	0	0	0,75	0,94	1,6	1,79	1,98
	23.56.0	27	90	0	0	0,57	1,04	1,6	1,79	2,45
01/02/20	0.31.0	27	90	0	0	0,57	1,04	1,51	1,7	2,08

DATA MONITORING ARUS BOCOR ISOLATOR										
Date	Time (Hour)	Temp. (°C)	Humidity (%)	UV mW/cm2	Rainfall mm/H	Type Insulators				
						Type A	Type B	Type C	Type D	Type E
	1.5.0	27	92	0	0	0,85	0,94	1,6	1,79	1,89
	1.39.0	27	92	0	0	0,85	1,04	1,7	1,79	1,98
	2.13.0	27	92	0	0	0,47	1,13	1,51	1,89	2,36
	2.48.0	27	95	0	0	0,75	1,04	1,7	1,79	2,36
	3.22.0	27	95	0	0	0,38	1,04	1,51	1,89	1,6
	3.56.0	27	90	0	0	0,85	1,04	1,42	1,79	2,26
	4.31.0	27	92	0	0	0,75	1,13	1,6	1,7	1,89
	5.5.0	27	90	0	0	0,85	1,04	1,51	1,79	2,45
	5.40.0	27	81	0	0	0,47	1,04	1,7	1,89	2,36
	6.15.0	26	81	0	9	0,85	0,94	1,6	1,98	2,26
	6.50.0	26	76	0	9	1,04	1,13	1,6	1,7	1,89
	7.24.0	26	63	0,03163	4	0,85	1,04	1,51	1,79	2,45
	7.58.0	26	60	0,03163	4	0,66	1,04	1,7	1,79	2,08
	8.33.0	27	62	0,47818	2	0,85	0,94	1,51	1,79	2,17
	9.8.0	28	62	1,08624	4	0,75	1,04	1,51	1,79	2,17
	9.43.0	28	72	1,08624	4	0,85	1,04	1,6	1,79	1,7
	10.18.0	30	72	2,30981	1	0,75	1,04	1,7	1,79	2,36
	10.53.0	33	66	3,93206	0	0,47	1,13	1,6	1,7	2,36
	11.27.0	32	63	1,95739	0	0,66	1,04	1,51	1,79	2,17
	12.2.0	32	75	1,95739	0	0,66	1,04	1,6	1,79	2,17
	12.37.0	29	80	2,01508	0	0,75	1,13	1,51	1,89	2,36
	13.11.0	31	80	2,05461	1	0,94	1,13	1,6	1,79	2,45
	13.47.0	31	78	2,05461	1	0,94	1,13	1,51	1,79	1,6
	14.22.0	31	78	1,86135	0	0,75	1,04	1,6	1,79	2,36
	14.57.0	32	76	1,82958	1	0,85	1,04	1,32	1,89	2,36
	15.33.0	31	76	1,86911	0	0,85	1,04	1,51	1,7	2,45
	16.8.0	30	75	1,37526	0	0,85	1,13	1,23	1,89	1,79
	16.43.0	31	70	1,50849	0	0,85	1,04	1,42	1,89	1,89
	17.18.0	36	70	1,94187	0	0,85	1,04	0,85	1,89	1,89
	17.53.0	36	75	1,94187	0	0,85	1,32	1,51	1,7	2,08
	18.27.0	33	75	0,49971	0	0,94	1,32	1,32	1,7	2,08
	19.1.0	30	75	0,10542	0	0,94	1,13	1,51	1,79	2,36
	19.35.0	30	74	0,10542	0	0,94	1,13	1,6	1,7	1,98
	20.10.0	29	74	0	0	0,75	1,13	1,51	1,79	1,79
	20.45.0	29	78	0	0	0,94	1,13	1,51	1,79	2,45
	21.20.0	28	80	0	0	0,94	1,13	1,7	1,79	2,26
	21.55.0	29	80	0	0	0,94	1,04	1,51	1,79	1,7
	22.30.0	28	82	0	0	0,75	1,04	0,94	1,79	2,55
	23.5.0	28	82	0	0	0,75	1,23	1,23	1,7	2,17
	23.39.0	28	85	0	0	0,94	1,13	1,32	1,79	1,6

DATA MONITORING ARUS BOCOR ISOLATOR										
Date	Time (Hour)	Temp. (°C)	Humidity (%)	UV mW/cm2	Rainfall mm/H	Type Insulators				
						Type A	Type B	Type C	Type D	Type E
02/02/20	0.13.0	28	85	0	0	0,94	1,04	1,04	1,79	2,55
	0.48.0	28	90	0	0	0,94	1,04	1,51	1,79	2,55
	1.22.0	28	90	0	0	0,75	1,32	1,23	1,79	2,17
	1.57.0	28	92	0	0	1,04	1,32	1,6	1,79	1,7
	2.32.0	28	92	0	0	0,85	1,23	1,6	1,7	2,08
	3.7.0	28	92	0	0	0,94	1,23	1,51	1,79	2,55
	3.42.0	28	90	0	0	0,75	1,23	1,51	1,7	2,17
	4.17.0	28	92	0	0	0,85	1,13	1,42	1,89	2,45
	4.51.0	28	90	0	0	0,85	1,32	1,23	1,7	2,45
	5.25.0	28	81	0	0	0,66	1,23	1,13	1,79	1,6
	5.59.0	28	81	0	0	1,04	1,23	1,6	1,79	1,7
	6.33.0	28	76	0	0	0,94	1,32	1,51	1,51	1,79
	7.7.0	27	63	0,06237	0	0,85	1,32	1,51	1,79	2,36
	7.41.0	28	60	0,35915	0	1,04	1,23	1,42	1,7	2,45
	8.16.0	28	62	0,35915	0	1,04	1,23	1,04	1,79	1,7
	8.51.0	29	62	0,75007	0	0,85	1,23	1,6	1,79	2,55
	9.26.0	31	72	0,92138	0	0,94	1,32	1,6	1,7	2,64
	10.1.0	37	72	3,15666	0	0,75	1,04	1,6	1,7	1,89
	10.36.0	40	66	5,47672	0	0,85	1,13	1,51	1,79	1,7
	11.10.0	38	63	3,82665	0	0,94	1,04	1,32	1,79	2,17
	11.45.0	38	75	3,82665	0	0,85	1,23	1,51	1,98	1,32
	12.20.0	38	80	2,19165	1	0,85	1,13	1,23	1,79	2,17
	12.55.0	39	80	5,4328	0	0,94	1,04	1,51	1,89	2,45
	13.30.0	39	78	3,64553	0	0,85	1,04	1,6	1,7	2,17
	14.5.0	40	78	7,9959	0	0,75	1,13	1,42	1,98	0,75
	14.40.0	41	76	7,9959	0	0,85	0,94	1,7	1,98	1,89
	15.15.0	40	76	7,9959	0	0,75	0,94	1,23	1,98	2,08
	15.50.0	38	75	5,27906	0	0,85	1,04	1,7	1,79	1,7
	16.25.0	36	70	4,09941	0	0,85	1,04	1,7	1,89	2,36
	17.0.0	36	70	4,09941	0	0,94	1,04	1,7	1,89	1,98
	17.35.0	35	75	1,58507	0	0,75	1,13	1,51	1,98	1,79
	18.10.0	34	75	1,30791	0	0,85	1,13	1,42	1,79	1,7
	18.45.0	33	75	0,98228	0	0,85	1,04	1,6	1,89	2,17
	19.20.0	33	74	0,54305	0	0,94	1,13	1,7	1,98	2,45
19.55.0	32	74	0,01903	0	1,04	1,13	1,6	1,89	1,79	
20.30.0	32	78	0	0	0,94	1,13	1,6	1,89	2,08	
21.4.0	31	80	0	0	0,85	1,13	1,79	1,79	2,55	
21.39.0	31	80	0	0	0,85	1,13	1,13	1,79	2,17	
22.14.0	31	82	0	0	0,94	1,13	1,6	1,79	1,51	
22.49.0	30	82	0	0	0,85	1,04	1,13	1,98	1,79	

DATA MONITORING ARUS BOCOR ISOLATOR										
Date	Time (Hour)	Temp. (°C)	Humidity (%)	UV mW/cm2	Rainfall mm/H	Type Insulators				
						Type A	Type B	Type C	Type D	Type E
03/02/20	23.23.0	30	85	0	0	0,57	1,04	1,42	1,79	2,26
	23.58.0	30	85	0	0	0,94	1,04	1,6	1,98	2,17
	0.33.0	29	90	0	0	0,75	1,04	1,7	1,98	2,17
	1.8.0	29	90	0	0	0,94	1,04	1,7	1,98	2,45
	1.43.0	29	92	0	0	0,94	1,04	1,79	1,98	2,26
	2.17.0	29	92	0	0	0,94	1,04	1,42	1,89	1,7
	2.52.0	29	92	0	0	0,85	0,85	1,7	1,98	2,08
	3.27.0	29	90	0	0	1,04	1,13	1,79	1,89	1,7
	4.2.0	29	92	0	0	0,94	1,23	1,79	1,89	2,17
	4.36.0	29	90	0	0	1,04	1,13	1,7	1,79	1,89
	5.11.0	28	81	0	0	0,85	1,13	1,6	2,08	1,42
	5.46.0	28	81	0	0	0,94	1,13	1,79	1,89	2,45
	6.20.0	28	76	0	0	0,94	1,04	1,79	1,89	2,36
	6.55.0	28	63	0,0063	0	0,85	0,94	1,04	1,89	2,36
	7.29.0	28	60	0,0063	0	0,85	1,13	1,6	1,89	2,17
	8.4.0	29	62	0,49473	0	0,75	1,04	1,7	1,89	2,36
	8.39.0	31	62	0,6549	0	0,75	1,13	1,42	1,89	1,42
	9.14.0	34	72	2,37174	0	0,94	1,13	1,7	1,7	2,17
	9.49.0	38	72	4,81259	0	0,75	1,13	1,32	1,98	1,89
	10.24.0	38	66	3,08931	0	0,94	1,13	1,79	1,98	2,17
	11.8.19	28	63	1,1858	9	0,57	1,13	1,23	1,89	1,89
	11.50.51	29	75	2,13309	0	1,23	1,13	1,89	2,08	0,28
	12.28.0	33	80	3,12094	0	0,85	1,23	1,23	1,98	0,94
	13.2.0	38	80	6,56896	0	0,94	1,23	1,7	1,98	1,23
	13.38.0	38	78	6,56896	0	0,94	1,23	1,04	1,98	1,7
	14.13.0	40	78	3,81201	0	0,66	1,23	1,7	2,17	1,79
	14.49.0	40	76	3,81201	0	0,85	1,32	1,89	2,08	1,98
	15.23.0	40	76	4,91259	0	0,75	1,13	1,51	1,98	2,55
	15.57.0	38	75	3,96867	0	0,94	1,42	1,51	2,08	2,17
	16.32.0	38	70	4,62167	0	1,23	1,32	1,6	2,08	2,55
	17.6.0	38	70	4,62167	0	1,13	1,04	1,32	1,89	2,55
	17.41.0	37	75	2,894	0	1,04	1,13	1,79	1,89	1,7
	18.17.0	35	75	0,90571	0	1,04	1,23	1,42	1,98	1,32
18.53.0	33	75	0,28785	0	0,94	1,32	1,7	1,98	1,89	
19.26.0	32	74	0,00673	0	1,13	1,23	1,89	2,08	2,55	
20.0.0	32	74	0,00673	0	0,85	1,13	1,51	1,98	2,17	
20.36.0	31	78	0	0	0,94	1,04	1,32	1,98	1,51	
21.11.0	31	80	0	0	1,23	1,32	1,6	1,98	2,45	
21.45.0	31	80	0	0	1,04	1,42	1,51	1,98	2,26	
22.20.0	30	82	0	0	0,75	1,13	1,79	2,08	2,17	

DATA MONITORING ARUS BOCOR ISOLATOR										
Date	Time (Hour)	Temp. (°C)	Humidity (%)	UV mW/cm2	Rainfall mm/H	Type Insulators				
						Type A	Type B	Type C	Type D	Type E
	22.55.0	30	82	0	0	0,94	1,23	1,89	2,08	2,55
	23.29.0	30	85	0	0	1,04	1,32	1,51	1,98	2,17
	0.4.0	30	85	0	0	0,85	1,23	1,89	2,08	2,64
	0.39.0	29	90	0	0	0,94	1,13	1,79	1,98	1,6
	1.14.0	29	90	0	0	0,94	1,23	1,42	1,98	2,08
	1.49.0	29	92	0	0	0,94	1,23	1,51	2,08	1,23
	2.24.0	29	92	0	0	0,85	1,13	1,13	1,89	2,17
	2.58.0	28	92	0	0	0,94	1,32	1,7	2,08	1,32
	3.33.0	28	95	0	0	1,04	1,23	1,79	2,08	2,17
	4.9.0	28	90	0	0	0,94	1,04	1,13	1,98	1,98
	4.44.0	28	92	0	0	0,94	1,23	1,42	1,89	2,55
	5.18.0	28	90	0	0	0,94	1,04	0,75	1,89	1,42
	5.53.0	28	81	0	0	1,13	1,42	1,6	1,98	2,17
	6.28.0	27	81	0	1	0,94	1,23	1,6	1,89	1,6
	7.3.0	27	76	0,01742	0	0,85	1,32	1,32	1,79	2,17
	7.38.0	27	63	0,01742	0	0,94	1,32	1,79	1,98	1,32
	8.13.0	29	60	0,72372	0	1,04	1,04	1,32	1,89	2,17
	8.47.0	31	62	0,80425	0	1,04	1,23	1,51	1,98	1,98
	9.22.0	32	62	1,62709	0	0,94	1,23	1,51	1,98	2,36
	9.56.0	35	72	2,32635	0	0,85	1,32	0,57	1,89	1,89
	10.32.0	35	72	2,32635	0	0,94	1,23	1,6	1,89	2,08
	11.8.0	39	66	5,77892	0	0,94	1,32	1,79	1,98	1,32
	11.43.0	38	63	3,23572	0	1,04	1,42	0,66	1,89	2,26
	12.16.0	37	75	2,37818	0	1,13	1,23	1,42	1,98	2,17
	12.51.0	37	80	2,37818	0	0,85	1,23	1,7	1,89	2,08
	13.27.0	34	80	2,49868	0	1,04	1,23	1,79	1,98	2,26
	14.2.0	35	78	2,4978	0	1,04	1,13	1,42	1,98	2,55
	14.36.0	35	78	2,4978	0	1,04	1,04	1,79	1,98	2,45
	15.10.0	37	76	6,82577	0	1,13	1,32	1,7	2,08	2,64
	15.44.0	39	76	2,76574	0	1,13	1,04	1,89	1,89	1,13
	16.17.0	38	75	1,58023	0	1,23	1,23	1,7	2,08	2,17
	16.51.0	39	70	1,87892	0	1,04	1,42	1,6	1,98	2,17
	17.26.0	34	70	1,48946	0	0,94	1,13	1,7	1,98	2,26
	18.1.0	34	75	1,48946	0	1,23	1,23	1,6	1,89	2,64
	18.38.0	33	75	0,52899	0	1,04	1,04	1,79	1,89	1,23
	19.13.0	31	75	0,02635	0	0,75	1,23	1,89	1,98	2,08
	19.48.0	31	74	0,02635	0	1,04	1,04	1,79	1,89	1,7
	20.20.0	28	74	0	4	1,04	1,23	1,7	1,89	1,13
	20.54.0	28	78	0	0	0,85	1,13	1,7	2,08	1,6
	21.28.0	28	80	0	0	0,94	1,13	1,7	1,89	1,32

DATA MONITORING ARUS BOCOR ISOLATOR										
Date	Time (Hour)	Temp. (°C)	Humidity (%)	UV mW/cm2	Rainfall mm/H	Type Insulators				
						Type A	Type B	Type C	Type D	Type E
	22.3.0	28	80	0	0	0,94	1,04	1,6	1,98	1,23
	22.37.0	28	82	0	0	0,85	1,13	1,79	1,89	1,42
	23.12.0	28	82	0	0	0,75	1,23	1,7	1,89	1,13
	23.47.0	28	85	0	0	1,04	1,13	1,6	1,98	2,08
05/02/20	0.21.0	28	85	0	0	1,04	1,04	1,79	1,89	2,08
	0.56.0	28	90	0	0	0,85	1,23	1,13	1,98	0,85
	1.31.0	28	90	0	0	0,85	1,13	1,6	1,79	1,32
	2.6.0	28	92	0	0	0,85	1,23	1,51	1,98	1,32
	2.40.0	28	92	0	0	1,04	1,23	1,79	1,79	0,75
	3.16.0	28	92	0	0	1,04	1,32	1,51	2,17	1,32
	3.50.0	28	95	0	0	1,04	1,32	1,51	2,08	1,89
	4.24.0	27	95	0	0	0,94	1,32	1,6	2,08	1,89
	4.58.0	27	95	0	0	0,94	1,13	1,23	2,17	1,79
	5.33.0	27	90	0	0	0,94	1,23	1,42	2,08	1,13
	6.8.0	27	92	0	0	0,94	1,23	1,7	1,89	0,94
	6.54.0	27	90	0,00381	0	1,04	1,23	1,51	1,89	1,89
	7.29.0	28	81	0,14832	2	0,94	1,23	1,13	1,89	1,79
	8.3.0	28	81	0,51581	0	0,94	1,13	1,6	1,89	1,42
	8.38.0	28	76	0,51581	0	0,85	1,23	1,51	1,79	1,79
	9.13.0	31	63	1,059	0	0,94	1,13	0,94	1,89	2,64
	9.48.0	33	60	2,59927	0	0,94	1,13	1,7	1,89	1,51
	10.23.0	37	62	2,56955	0	0,94	1,13	1,6	1,89	1,6
	10.58.0	40	62	7,9959	0	0,94	1,04	1,42	1,89	1,79
	11.32.0	40	72	7,9959	0	0,85	1,13	1,79	1,98	1,89
	12.8.0	33	72	2,21171	0	1,04	1,13	1,7	1,89	0,94
	12.43.0	40	66	7,99165	0	0,94	1,32	1,42	1,89	1,6
	13.19.0	40	63	7,99165	0	0,94	1,32	1,89	1,98	1,42
	13.55.0	37	75	3,0448	0	1,04	1,04	1,79	2,08	1,79
	14.31.0	37	80	3,0448	0	1,04	1,23	1,79	1,98	1,98
	15.5.0	37	80	7,9959	0	0,85	1,23	1,79	2,08	1,51
	15.39.0	37	78	7,9959	0	0,94	1,13	1,79	1,89	1,89
	16.14.0	33	78	0,7959	0	0,94	1,23	1,6	2,08	1,23
	16.49.0	30	76	0,98668	20	0,94	1,23	1,7	1,98	1,98
	17.26.0	30	76	0,98668	20	0,94	1,23	1,7	1,98	2,55
	18.1.0	30	75	0,41962	1	0,94	1,13	1,7	1,98	1,04
	18.35.0	30	70	0,41962	1	0,94	1,13	1,79	1,98	1,23
19.9.0	30	70	0,03411	0	0,85	1,23	1,89	1,89	1,79	
19.44.0	30	75	0,03411	0	0,94	1,23	1,6	2,08	1,89	
20.19.0	30	75	0	0	1,04	1,04	1,89	1,98	1,32	
20.53.0	29	75	0	0	0,94	1,13	1,79	1,98	1,7	

DATA MONITORING ARUS BOCOR ISOLATOR										
Date	Time (Hour)	Temp. (°C)	Humidity (%)	UV mW/cm2	Rainfall mm/H	Type Insulators				
						Type A	Type B	Type C	Type D	Type E
	21.41.0	28	74	0	1	1,13	1,13	1,79	2,17	1,89
	22.15.0	28	74	0	2	0,94	1,04	1,7	2,08	1,42
	22.51.0	28	78	0	0	0,94	1,13	1,79	1,98	1,13
	23.25.0	28	80	0	0	0,94	1,04	1,6	2,08	1,98
06/02/20	0.1.0	28	80	0	0	0,85	1,32	1,89	2,08	1,51
	0.36.0	28	82	0	3	0,66	1,04	1,7	1,98	0,75
	1.11.0	28	82	0	0	0,94	1,13	1,79	2,08	2,17
	1.46.0	28	85	0	0	0,94	1,13	1,79	1,89	0,85
	2.20.0	28	85	0	0	0,94	1,04	1,79	2,08	1,98
	2.54.0	28	90	0	0	0,85	1,13	1,79	2,08	2,74
	3.29.0	28	90	0	0	1,13	0,94	1,7	2,08	0,94
	4.4.0	28	92	0	0	0,94	1,23	1,89	1,98	1,6
	4.39.0	28	92	0	0	0,94	1,23	1,79	2,08	2,08
	5.14.0	28	92	0	4	0,94	1,23	1,79	1,98	1,04
	5.49.0	28	90	0	4	1,23	1,13	1,7	2,08	2,17
	6.23.0	28	92	0	20	0,94	1,23	1,89	1,98	2,17
	6.58.0	28	90	0	20	0,85	1,04	1,51	2,08	1,79
	7.33.0	28	81	0,0019	69	1,04	1,23	1,7	1,98	1,79
	8.8.0	27	81	0,0448	131	1,13	1,13	1,7	2,08	2,17
	8.43.0	27	76	0,13558	0	1,04	1,23	1,79	2,08	1,7
	9.18.0	28	63	0,53865	0	1,23	1,23	1,6	2,08	1,42
	9.52.0	32	60	2,53821	1	1,04	1,04	1,89	2,08	1,7
	10.26.0	33	62	5,30205	0	1,23	1,13	1,6	2,08	1,23
	11.1.0	34	62	1,31713	0	1,13	1,04	1,42	2,08	1,79
	11.36.0	34	72	1,31713	0	1,04	1,04	1,6	2,17	1,98
	12.11.0	34	72	1,90571	2	0,94	1,23	1,79	2,08	1,42
	12.47.0	35	66	5,98726	0	0,85	1,04	1,79	1,98	1,6
	13.24.0	35	63	5,98726	0	0,94	1,23	1,51	1,98	1,23
	13.58.0	36	75	2,49429	0	0,85	1,13	1,79	1,89	1,6
	14.33.0	36	80	2,49429	0	1,04	1,13	1,7	1,79	1,42
	15.7.0	34	80	1,88272	0	0,94	1,23	1,89	1,98	2,45
	15.42.0	34	78	1,61245	0	0,85	1,13	1,6	1,89	1,7
	16.18.0	34	78	1,61245	0	0,94	1,13	1,79	1,89	1,32
	16.52.0	35	76	2,61728	0	0,85	1,13	1,51	1,98	1,98
	17.26.0	33	76	0,81933	0	0,94	1,13	1,7	2,08	1,89
	18.0.0	33	75	0,81933	0	0,94	1,13	1,79	2,08	2,08
18.34.0	33	70	2,71889	0	0,85	1,13	1,6	2,08	1,79	
19.8.0	32	70	0,11127	0	0,94	1,04	1,79	1,98	2,64	
19.43.0	32	75	0,11127	0	0,94	1,23	1,6	1,98	2,17	
20.16.0	31	75	0	1	1,04	1,13	1,79	1,79	2,26	

DATA MONITORING ARUS BOCOR ISOLATOR										
Date	Time (Hour)	Temp. (°C)	Humidity (%)	UV mW/cm2	Rainfall mm/H	Type Insulators				
						Type A	Type B	Type C	Type D	Type E
	20.50.0	31	75	0	0	0,94	1,13	1,7	1,89	2,36
	21.23.0	31	74	0	0	1,04	1,23	1,6	1,98	1,6
	21.57.0	31	74	0	0	0,85	1,23	1,7	1,98	1,7
	22.32.0	31	78	0	0	0,85	1,23	1,79	1,89	1,89
	23.8.0	30	80	0	0	1,13	1,23	1,6	1,98	1,7
	23.43.0	30	80	0	1	2,26	1,13	1,6	1,98	1,7
07/02/20	0.18.0	29	82	0	4	0,66	1,04	1,7	2,08	2,26
	0.53.0	29	82	0	4	0,94	1,04	1,7	1,98	1,79
	1.28.0	29	85	0	0	0,94	1,04	1,7	1,98	1,13
	2.3.0	29	85	0	0	0,85	1,13	1,7	1,79	2,55
	2.37.0	29	90	0	0	0,85	1,04	1,7	1,89	1,32
	3.12.0	28	90	0	0	0,94	1,23	1,89	1,89	1,6
	3.46.0	28	92	0	1	1,04	1,04	1,42	1,98	1,6
	4.20.0	28	92	0	0	0,94	1,04	1,79	1,89	1,13
	4.54.0	28	92	0	0	0,75	1,23	1,42	2,08	1,23
	5.29.0	28	90	0	0	0,85	1,13	1,79	1,98	1,79
	6.4.0	28	92	0	2	0,94	1,13	1,51	1,98	1,6
	6.38.0	28	90	0	2	1,04	1,23	1,79	2,08	1,7
	7.13.0	28	81	0,02679	0	0,94	1,23	1,7	1,79	1,51
	7.48.0	28	81	0,31859	0	0,94	1,13	1,89	1,89	1,13
	8.23.0	30	76	0,98038	0	1,04	1,23	1,79	1,98	2,45
	8.58.0	30	63	1,27321	0	1,04	1,23	1,89	2,08	1,51
	9.34.0	33	60	2,16193	0	0,85	1,13	1,89	1,98	1,7
	10.9.0	33	62	2,16193	0	1,04	1,13	1,89	1,98	1,04
	10.44.0	28	62	0,56896	25	0,94	1,13	1,7	2,08	2,08
	11.17.0	28	72	0,56896	25	0,94	1,23	1,89	1,98	1,98
	11.52.0	29	72	0,59136	513	1,04	1,23	1,7	1,98	1,7
	12.25.0	29	66	0,59136	513	0,94	1,23	1,79	2,08	1,79
	13.0.0	29	63	0,60117	1	1,04	1,13	1,42	2,08	1,89
	13.35.0	28	75	0,51962	0	1,23	1,32	1,51	2,08	1,79
	14.11.0	28	80	0,51962	0	0,94	1,04	1,79	1,89	1,04
	14.47.0	28	80	0,48887	1	1,04	1,04	1,89	2,08	1,7
	15.20.0	28	78	0,48887	1	1,04	1,23	1,79	2,17	1,7
	15.57.0	28	78	0,33616	58	0,94	1,13	1,6	2,08	1,42
	16.32.0	27	76	0,08682	0	0,94	1,13	1,79	1,98	1,32
	17.7.0	27	76	0,17716	12	0,85	1,23	1,6	1,98	1,13
	17.42.0	27	75	0,17716	12	0,94	1,32	1,79	1,89	1,51
	18.19.0	27	70	0,10542	0	0,94	1,13	1,79	1,98	0,66
	18.53.0	27	70	0,03748	0	0,85	1,13	1,89	2,08	1,79
	19.28.0	27	75	0,03748	0	0,94	1,13	1,42	2,08	2,08

DATA MONITORING ARUS BOCOR ISOLATOR										
Date	Time (Hour)	Temp. (°C)	Humidity (%)	UV mW/cm2	Rainfall mm/H	Type Insulators				
						Type A	Type B	Type C	Type D	Type E
	20.4.0	27	75	0	0	0,94	1,23	1,7	1,89	0,94
	20.39.0	27	75	0	0	0,85	1,13	1,89	1,98	1,23
	21.15.0	27	74	0	0	1,04	1,13	1,7	1,98	2,36
	21.50.0	27	74	0	0	1,23	1,23	1,79	2,08	2,17
	22.26.0	27	78	0	0	1,13	1,23	1,7	1,98	1,7
	23.2.0	27	80	0	0	0,94	1,13	1,7	1,98	1,6
	23.36.0	27	80	0	0	1,13	1,32	1,6	1,89	1,6
08/02/20	0.11.0	27	82	0	0	1,13	1,32	1,7	1,89	1,51
	0.45.0	27	82	0	0	1,04	1,32	1,6	1,98	2,55
	1.20.0	27	85	0	0	1,04	1,13	1,6	1,89	2,36
	1.55.0	27	85	0	0	1,13	1,04	1,04	1,98	1,98
	2.30.0	27	90	0	0	1,04	1,32	1,42	1,98	1,6
	3.6.0	27	90	0	0	1,04	1,32	1,7	1,89	1,42
	3.41.0	27	92	0	0	0,94	1,13	1,7	1,89	1,04
	4.16.0	27	92	0	0	0,94	1,32	1,79	1,98	2,17
	4.51.0	28	92	0	0	1,04	1,23	1,42	1,98	0,94
	5.25.0	27	90	0	0	0,94	1,42	1,7	1,89	2,17
	6.0.0	27	92	0	0	0,94	1,13	1,7	1,98	2,08
	6.35.0	27	90	0	0	0,94	1,13	1,6	1,89	1,13
	7.10.0	27	81	0	0	0,94	1,13	1,6	1,98	0,66
	7.45.0	28	81	0,30059	0	1,04	1,04	1,51	1,98	1,13
	8.19.0	28	76	0,30059	0	0,94	1,13	1,42	1,98	1,89
	8.54.0	27	63	0,73104	0	0,94	1,04	1,42	1,98	1,23
	9.28.0	28	60	1,47482	0	1,04	1,23	1,7	1,89	2,17
	10.3.0	28	62	1,47482	0	1,04	1,32	1,42	1,89	1,32
	10.38.0	31	62	2,70717	0	1,13	1,04	1,51	1,89	1,6
	11.14.0	33	72	4,23807	0	0,94	1,13	1,42	1,98	1,89
	11.49.0	35	72	3,19561	0	0,85	1,23	1,6	1,98	2,17
	12.24.0	35	66	2,79795	0	0,94	1,04	1,79	1,98	2,08
	12.59.0	35	63	2,79795	0	0,94	1,13	1,6	1,98	1,79
	13.34.0	36	75	2,30249	0	1,13	1,23	1,79	2,08	1,13
	14.8.0	35	80	2,5959	0	1,04	1,13	1,79	2,08	1,98
	14.43.0	35	80	4,13602	0	0,75	1,04	1,79	2,08	0,47
	15.19.0	35	78	4,13602	0	0,94	1,23	1,79	2,08	1,89
	15.55.0	35	78	2,4899	0	1,13	1,13	1,7	1,89	1,32
	16.31.0	35	76	2,4899	0	0,94	1,04	1,6	2,08	1,79
	17.6.0	34	76	2,1634	0	0,94	1,04	1,79	2,08	1,32
	17.41.0	34	75	2,6978	0	0,85	1,04	1,79	2,08	0,94
	18.16.0	33	70	1,59488	0	1,04	1,04	1,79	1,98	0,94
	18.50.0	32	70	0,32211	0	0,94	1,13	1,7	1,89	1,89

DATA MONITORING ARUS BOCOR ISOLATOR										
Date	Time (Hour)	Temp. (°C)	Humidity (%)	UV mW/cm2	Rainfall mm/H	Type Insulators				
						Type A	Type B	Type C	Type D	Type E
	19.23.0	31	75	0,01947	0	0,85	1,13	1,7	1,98	1,7
	19.57.0	31	75	0,01947	0	0,94	1,42	1,51	1,79	1,7
	20.32.0	30	75	0	0	1,04	1,23	1,89	1,98	1,6
	21.6.0	29	74	0	0	0,85	1,04	1,89	2,08	1,32
	21.40.0	29	74	0	0	1,13	1,04	1,89	2,08	0,94
	22.16.0	29	78	0	0	0,94	1,13	1,79	2,17	1,79
	22.51.0	29	80	0	0	1,04	1,32	1,89	1,98	1,79
	23.24.0	28	80	0	0	1,04	1,13	1,7	1,98	1,13
	23.58.0	28	82	0	0	1,13	1,32	1,6	2,08	1,89
09/02/20	0.33.0	28	90	0	0	0,85	1,13	1,79	2,08	1,79
	1.7.0	28	92	0	0	0,75	1,13	1,6	2,17	1,6
	1.41.0	28	90	0	0	1,04	1,13	1,79	1,98	1,42
	2.16.0	28	81	0	0	0,85	1,23	1,51	2,08	2,17
	2.51.0	28	81	0	0	0,94	1,13	1,89	2,08	1,51
	3.25.0	28	76	0	0	0,75	1,13	1,32	2,08	1,42
	4.0.0	28	63	0	0	0,94	1,23	1,79	1,98	1,23
	4.35.0	28	60	0	0	0,75	1,13	1,7	2,17	2,08
	5.10.0	28	62	0	0	0,85	1,13	1,79	2,08	1,32
	5.45.0	28	62	0	0	0,94	1,23	1,79	2,08	1,32
	6.20.0	26	72	0	2	0,94	1,23	1,13	1,89	1,13
	6.55.0	26	72	0	2	0,94	1,13	1,7	1,98	0,94
	7.31.0	25	66	0,03895	0	1,04	1,32	1,32	1,89	1,6
	8.7.0	25	63	0,03895	0	0,85	1,42	1,7	1,98	1,7
	8.42.0	26	75	0,48067	0	1,13	1,23	1,7	1,98	1,13
	9.17.0	27	80	1,13309	0	1,04	1,32	1,6	1,98	1,51
	9.52.0	31	80	1,5022	0	1,13	1,23	1,7	1,98	1,23
	10.26.0	31	78	1,5022	0	0,85	1,13	1,6	1,98	2,36
	11.0.0	38	78	5,39824	0	0,94	1,13	1,42	1,98	2,26
	11.34.0	38	76	5,39824	0	0,94	1,13	1,6	2,08	1,32
	12.9.0	39	76	4,2552	0	1,04	1,23	1,79	2,08	1,23
	12.44.0	34	75	2,96969	0	1,04	1,42	1,79	2,08	2,08
	13.17.0	29	70	0,40747	0	0,85	1,13	1,7	1,98	1,79
	13.52.0	29	70	0,40747	0	1,04	1,04	1,89	2,08	1,32
	14.28.0	27	75	1,60703	0	0,94	1,13	1,79	1,89	0,94
	15.2.0	27	75	1,60703	0	0,85	1,23	1,7	1,98	0,75
	15.37.0	33	75	5,30542	0	1,04	1,04	1,7	1,98	1,79
	16.11.0	33	74	5,30542	0	1,23	1,13	1,89	1,98	1,04
	16.47.0	34	74	2,13895	0	1,13	1,13	1,79	1,98	1,79
	17.20.0	32	78	1,40264	0	0,94	1,23	1,79	1,98	1,6
	17.56.0	30	80	0,58755	0	0,94	1,23	1,7	2,08	1,23

DATA MONITORING ARUS BOCOR ISOLATOR										
Date	Time (Hour)	Temp. (°C)	Humidity (%)	UV mW/cm2	Rainfall mm/H	Type Insulators				
						Type A	Type B	Type C	Type D	Type E
	18.30.0	27	80	0,22299	0	0,85	1,13	1,7	1,89	2,08
	19.5.0	27	82	0,22299	0	0,85	1,13	1,79	2,08	1,98
	19.39.0	27	82	0,05359	0	1,04	1,04	1,79	1,98	1,6
	20.15.0	27	85	0	0	1,13	1,32	1,32	1,89	1,32
	20.50.0	27	85	0	0	0,85	1,04	1,6	1,98	1,42
	21.22.0	27	90	0	0	1,04	1,23	1,6	2,08	0,66
	21.56.0	27	90	0	0	0,85	1,23	1,6	1,89	1,98
	22.30.0	27	92	0	0	0,94	1,04	1,79	1,98	1,23
	23.4.0	27	92	0	0	1,04	1,23	1,79	2,08	1,13
	23.38.0	27	92	0	0	1,04	1,23	1,89	1,98	2,17
	10/02/20	0.14.0	27	95	0	0	1,04	1,23	1,51	1,98
	0.49.0	27	95	0	0	1,13	1,23	1,04	1,98	1,42
	1.24.0	27	95	0	0	0,85	1,13	1,7	1,98	1,51
	1.59.0	27	90	0	0	1,04	1,23	1,7	1,89	1,13
	2.34.0	27	92	0	0	0,94	1,13	1,42	1,89	1,6
	3.9.0	27	90	0	0	1,13	1,32	1,51	1,89	1,6
	3.43.0	27	81	0	0	1,04	1,42	1,7	1,89	1,89
	4.18.0	27	81	0	0	0,94	1,23	1,7	1,98	1,6
	4.54.0	27	76	0	0	0,94	1,04	1,32	1,89	2,17
	5.28.0	27	63	0	0	1,04	1,13	1,7	1,98	1,7
	6.2.0	27	60	0	0	0,85	1,32	1,32	1,89	1,6
	6.37.0	27	62	0	0	1,13	1,13	1,6	1,98	1,51
	7.11.0	27	62	0,0287	0	1,13	1,13	1,7	1,89	1,7
	7.46.0	27	72	0,0287	0	1,13	1,32	1,6	1,89	2,08
	8.22.0	28	72	0,73148	0	0,94	1,32	1,23	1,89	1,7
	8.58.0	28	66	0,73148	0	1,13	1,23	1,7	1,79	1,13
	9.33.0	28	63	1,36105	0	0,85	1,13	1,51	1,98	1,7
	10.8.0	29	75	1,24246	0	0,94	1,13	1,6	1,89	1,79
	10.43.0	31	80	1,55242	0	0,94	1,23	1,23	1,89	1,42
	11.19.0	31	80	1,55242	0	1,13	1,13	1,89	1,98	1,6
	11.54.0	35	78	4,29707	0	1,04	1,13	1,32	1,98	1,23
	12.28.0	33	78	2,25813	0	0,94	0,94	1,79	2,17	0,94
	13.3.0	36	76	4,98287	0	0,94	1,13	1,42	1,89	1,79
	13.39.0	38	76	6,33177	0	0,94	1,23	1,7	1,89	1,51
	14.13.0	31	75	2,26105	1	0,94	1,23	1,79	2,08	1,89
	14.48.0	31	70	2,26105	1	0,94	1,23	1,04	1,98	1,6
	15.23.0	33	70	7,9959	0	0,85	1,23	1,89	1,98	1,6
	15.58.0	33	75	2,04919	0	0,94	1,13	1,6	1,89	1,23
	16.32.0	31	75	3,03748	0	0,85	1,13	1,23	1,89	1,79
	17.7.0	31	75	3,03748	0	0,94	1,23	1,79	1,79	0,57

DATA MONITORING ARUS BOCOR ISOLATOR										
Date	Time (Hour)	Temp. (°C)	Humidity (%)	UV mW/cm2	Rainfall mm/H	Type Insulators				
						Type A	Type B	Type C	Type D	Type E
	17.42.0	33	74	2,63587	0	1,04	1,13	1,32	1,98	1,13
	18.17.0	34	74	1,09941	0	0,94	1,04	1,7	1,98	1,32
	18.52.0	34	78	1,09941	0	0,85	1,23	1,7	1,89	1,51
	19.27.0	29	80	0,00234	0	0,75	1,04	1,42	1,98	1,42
	20.2.0	29	80	0	0	0,75	1,13	1,7	1,89	0,85
	20.37.0	28	82	0	0	0,94	1,13	1,51	2,08	1,23
	21.11.0	28	82	0	0	0,94	1,04	1,51	1,98	1,32
	21.46.0	28	85	0	0	0,94	1,13	1,7	1,98	1,51
	22.20.0	28	85	0	0	0,66	1,32	1,23	1,79	1,98
	22.55.0	28	90	0	0	0,85	1,13	1,79	1,98	1,6
	23.30.0	28	90	0	0	0,85	1,04	1,7	1,7	1,6
11/02/20	0.6.0	28	92	0	0	0,94	1,13	1,7	2,17	1,23
	0.41.0	28	92	0	0	0,85	1,32	1,7	2,08	1,6
	1.18.0	28	92	0	0	1,04	1,42	1,79	1,89	1,6
	1.52.0	28	90	0	0	0,85	1,13	1,51	1,98	1,32
	2.28.0	28	92	0	0	0,94	1,23	1,7	2,08	1,23
	3.2.0	28	90	0	0	0,94	1,13	1,79	1,79	1,6
	3.36.0	28	81	0	0	0,85	1,13	1,79	2,08	1,6
	4.11.0	28	81	0	0	0,94	1,04	1,7	1,98	1,04
	4.46.0	27	76	0	0	1,13	1,13	1,51	1,89	1,42
	5.19.0	27	63	0	0	1,13	1,13	1,42	2,08	1,23
	5.54.0	27	60	0	0	1,13	1,13	1,79	2,08	2,26
	6.28.0	27	62	0	0	0,94	1,04	1,51	1,98	1,79
	7.2.0	27	62	0,00483	0	0,94	1,13	1,79	1,98	1,6
	7.36.0	27	72	0,00483	0	0,94	1,13	1,51	2,08	1,42
	8.11.0	28	72	0,65681	0	0,94	1,32	1,79	1,98	0,94
	8.45.0	28	66	0,65681	0	1,04	1,13	1,7	1,98	1,23
	9.19.0	30	63	1,45871	0	1,04	1,04	1,51	2,08	2,08
	9.53.0	35	75	2,86091	0	1,13	1,42	1,7	2,17	0,66
	10.27.0	37	80	4,82225	0	1,04	1,04	1,7	2,08	1,6
	11.2.0	39	80	4,21171	1	0,75	1,13	1,51	1,79	2,08
	11.37.0	39	78	4,21171	1	0,94	1,13	1,79	1,98	1,7
	12.11.0	31	78	0,75783	0	1,51	1,13	1,6	1,98	2,17
	12.46.0	31	76	1,05461	0	0,94	1,23	1,7	1,89	0,94
	13.21.0	31	76	1,05461	0	0,85	1,23	1,79	1,98	1,04
	13.56.0	38	75	4,58258	0	0,94	1,32	1,42	1,79	1,79
	14.31.0	38	70	4,58258	0	0,85	1,13	1,79	1,89	1,04
	15.6.0	40	70	3,74275	0	1,04	1,13	1,51	1,7	1,6
	15.41.0	37	75	2,45476	0	1,13	1,23	1,7	1,89	1,32
	16.16.0	38	75	6,07467	0	0,75	1,23	1,89	1,98	1,23

DATA MONITORING ARUS BOCOR ISOLATOR										
Date	Time (Hour)	Temp. (°C)	Humidity (%)	UV mW/cm2	Rainfall mm/H	Type Insulators				
						Type A	Type B	Type C	Type D	Type E
	16.51.0	38	75	6,07467	0	0,94	1,13	1,79	1,98	1,04
	17.25.0	37	74	5,78624	0	0,85	1,23	1,89	2,08	0,94
	18.0.0	37	74	5,78624	0	0,75	1,23	1,7	2,17	1,13
	18.35.0	33	78	0,43089	0	0,75	1,13	1,79	2,08	2,08
	19.10.0	33	80	0,43089	0	0,85	1,23	1,89	1,98	0,85
	19.45.0	31	80	0	0	1,13	1,13	1,32	1,98	1,32
	20.21.0	31	82	0	0	0,85	1,13	1,7	1,98	1,98
	20.56.0	31	82	0	0	1,04	1,04	1,79	1,89	2,08
	21.30.0	30	85	0	0	1,04	1,04	1,6	1,98	1,23
	22.4.0	30	85	0	0	1,04	1,13	1,6	1,98	1,6
	22.39.0	29	90	0	0	0,94	1,13	1,7	1,98	1,42
	23.14.0	29	90	0	0	0,94	1,32	1,51	1,98	0,66
	23.49.0	29	92	0	0	1,04	1,13	1,79	1,98	1,98
12/02/20	0.23.0	28	92	0	0	0,85	1,32	1,6	1,89	1,42
	0.58.0	28	92	0	0	0,94	1,42	1,7	1,98	1,13
	1.32.0	28	90	0	0	1,13	1,32	1,51	1,98	1,51
	2.6.0	28	92	0	0	0,94	1,23	1,79	1,89	1,13
	2.42.0	28	90	0	0	1,04	1,32	1,89	2,08	1,42
	3.17.0	27	81	0	0	0,94	1,23	1,79	1,89	1,13
	3.52.0	27	81	0	0	0,94	1,23	0,85	1,79	1,23
	4.26.0	27	76	0	0	1,04	1,13	1,7	2,17	1,6
	5.1.0	27	63	0	0	0,85	1,13	1,7	2,08	1,7
	5.37.0	27	60	0	0	0,94	1,13	1,51	1,98	1,23
	6.13.0	27	62	0	0	0,94	1,23	1,7	2,08	1,32
	6.48.0	27	62	0	0	0,94	1,13	1,79	2,08	1,32
	7.25.0	27	72	0,22679	0	0,94	1,23	1,51	2,08	1,23
	8.0.0	27	72	0,22679	0	1,13	1,13	1,51	2,08	1,89
	8.35.0	28	66	0,63148	0	0,94	1,23	1,6	2,08	1,7
	9.10.0	28	63	1,38843	0	0,94	1,23	1,42	2,08	2,08
	9.45.0	31	75	1,96384	0	1,13	1,23	1,51	1,98	1,23
	10.20.0	33	80	2,07555	0	0,94	1,23	1,7	1,98	1,51
	10.55.0	33	80	0,92958	0	1,04	1,32	1,42	1,98	0,94
	11.30.0	32	78	2,03939	0	1,04	1,13	1,79	2,08	1,7
	12.6.0	32	78	2,03939	0	0,94	1,51	1,04	1,79	2,26
	12.41.0	38	76	7,9959	0	1,13	1,13	1,7	1,89	1,23
	13.16.0	38	76	7,9959	0	0,94	1,23	1,7	1,98	1,04
	13.51.0	38	75	7,9959	0	0,94	1,13	1,89	2,08	1,51
	14.26.0	36	70	2,91801	0	1,04	1,32	1,79	1,98	1,32
	15.1.0	34	70	1,77936	0	0,94	1,13	1,32	1,89	1,7
	15.36.0	37	75	3,05417	0	0,94	1,13	1,7	1,89	1,79

DATA MONITORING ARUS BOCOR ISOLATOR										
Date	Time (Hour)	Temp. (°C)	Humidity (%)	UV mW/cm2	Rainfall mm/H	Type Insulators				
						Type A	Type B	Type C	Type D	Type E
	16.10.0	37	75	3,05417	0	1,04	1,04	1,79	1,98	1,51
	16.45.0	39	75	3,03016	0	1,04	1,32	1,7	1,89	1,79
	17.19.0	41	74	4,98624	0	0,94	1,04	1,6	1,98	0,85
	17.54.0	41	74	4,98624	0	1,13	1,23	1,79	1,79	1,89
	18.30.0	37	78	0,77892	0	0,94	1,42	1,7	1,79	1,04
	19.6.0	37	80	0,77892	0	0,94	1,13	1,79	1,89	2,08
	19.41.0	33	80	0,15124	0	0,94	1,32	1,51	1,89	1,51
	20.16.0	30	82	0	0	0,85	1,23	1,7	1,98	0,94
	20.51.0	30	82	0	0	1,32	1,42	1,6	1,89	2,17
	21.25.0	29	85	0	0	1,23	1,13	1,51	1,98	1,7
	22.0.0	29	85	0	0	1,13	1,23	1,6	1,89	1,42
	22.35.0	29	90	0	0	0,94	1,13	1,7	1,79	1,13
	23.10.0	29	90	0	0	1,13	1,42	1,79	1,89	0,66
	23.45.0	29	92	0	0	1,13	1,42	1,51	1,98	1,89
13/02/20	0.22.0	28	92	0	0	1,13	1,32	1,23	1,89	1,42
	0.56.0	28	92	0	0	1,04	1,32	1,51	1,98	1,6
	1.32.0	28	95	0	0	1,04	1,13	1,7	1,89	1,04
	2.7.0	28	95	0	0	0,94	1,32	1,42	1,79	1,32
	2.42.0	27	95	0	0	0,85	1,32	1,7	1,98	1,23
	3.16.0	27	95	0	0	1,13	1,13	1,89	2,08	1,04
	3.50.0	27	95	0	0	1,04	1,32	1,79	2,08	0,66
	4.26.0	27	95	0	0	1,13	1,23	1,42	1,98	1,42
	5.1.0	27	90	0	0	0,94	1,13	1,7	1,98	1,42
	5.35.0	27	92	0	0	0,85	1,23	1,7	2,08	1,89
	6.10.0	27	90	0	0	0,94	1,13	1,79	1,89	0,57
	6.45.0	27	81	0	0	0,94	1,32	1,79	2,08	1,04
	7.23.0	27	81	0,12138	0	1,04	1,13	1,7	1,98	1,42
	7.57.0	29	76	0,50307	0	1,04	1,23	1,6	1,98	1,23
	8.32.0	29	63	0,50307	0	0,94	1,23	1,89	2,08	1,79
	9.7.0	31	60	0,85256	0	0,94	1,13	1,51	2,08	1,7
	9.43.0	36	62	3,56164	0	0,85	1,04	1,32	1,89	1,7
	10.18.0	40	62	4,4836	0	0,85	1,13	1,42	1,98	2,08
	10.53.0	39	72	3,58799	0	0,94	1,13	1,6	1,98	1,04
	11.29.0	39	72	3,58799	0	0,94	1,23	1,89	1,98	1,23
	12.5.0	38	66	4,67291	0	0,94	1,04	1,89	1,79	1,6
	12.40.0	33	63	1,83792	0	0,85	1,13	1,79	1,98	1,79
	13.15.0	40	75	7,9959	0	0,94	1,13	1,79	1,98	0,85
	13.50.0	40	80	7,9959	0	0,94	1,13	1,79	1,98	1,13
	14.24.0	43	80	4,68126	0	1,04	1,13	1,7	2,08	2,17

DATA MONITORING ARUS BOCOR ISOLATOR										
Date	Time (Hour)	Temp. (°C)	Humidity (%)	UV mW/cm2	Rainfall mm/H	Type Insulators				
						Type A	Type B	Type C	Type D	Type E
	15.35.0	40	78	5,70908	0	0,94	1,13	1,7	2,08	1,32
	16.10.0	40	78	5,76223	0	1,04	1,04	1,79	2,08	2,17
	16.45.0	39	76	4,99312	0	1,04	1,13	1,79	2,17	1,13
	17.20.0	41	76	5,33968	0	1,04	1,23	1,79	2,08	1,6
	17.55.0	39	75	4,78419	0	1,04	1,13	1,51	2,08	1,79
	18.30.0	34	70	0,91303	0	0,66	1,04	1,89	2,08	1,79
	19.5.0	32	70	0,15959	0	0,85	1,13	1,89	2,08	0,85
	19.40.0	32	75	0,15959	0	0,94	1,13	1,79	2,08	0,85
	20.16.0	31	75	0	0	1,23	1,51	1,89	2,08	1,51
	20.51.0	31	75	0	0	0,85	1,13	1,7	1,98	1,13
	21.26.0	30	74	0	0	0,94	1,13	1,79	1,98	2,26
	22.1.0	30	74	0	0	1,04	1,04	1,89	1,79	1,6
	22.36.0	30	78	0	0	1,04	1,23	1,79	1,98	2,26
	23.11.0	30	80	0	0	1,13	1,42	1,6	1,98	1,98
	23.46.0	30	80	0	0	1,13	1,42	1,89	1,98	1,79
14/02/20	0.22.0	30	82	0	0	1,13	1,51	1,79	2,08	1,6
	0.57.0	29	82	0	0	1,13	1,42	1,89	1,89	1,23
	1.31.0	29	85	0	0	1,23	1,42	1,79	2,08	1,13
	2.5.0	29	85	0	0	1,23	1,32	1,89	1,98	2,08
	2.41.0	29	90	0	0	1,23	1,42	1,79	1,98	1,51
	3.18.0	29	90	0	0	1,13	1,32	1,7	1,89	1,89
	3.53.0	29	92	0	0	0,85	1,13	1,79	1,98	1,13
	4.26.0	29	92	0	0	1,04	1,32	1,7	1,89	1,32
	5.2.0	29	92	0	0	1,13	1,23	1,32	1,98	1,89
	5.37.0	28	90	0	0	1,13	1,32	1,79	1,98	1,42
	6.13.0	28	92	0	0	1,04	1,13	1,7	1,89	1,6
	6.48.0	28	90	0	0	1,04	1,13	1,7	2,08	1,6
	7.25.0	28	81	0	0	1,04	1,23	1,6	2,08	1,7
	7.59.0	29	81	0,56999	0	0,94	1,13	1,6	1,89	2,26
	8.34.0	31	76	1,05359	0	0,85	1,23	1,42	2,08	1,32
	9.9.0	33	63	1,88126	0	0,85	1,23	1,79	1,98	1,98
	9.45.0	33	60	1,88126	0	1,04	1,32	1,89	1,98	1,7
	10.20.0	38	62	4,26003	0	0,94	1,23	1,79	1,89	2,26
	10.55.0	39	62	5,67731	0	0,94	1,42	1,7	1,98	0,94
	11.31.0	39	72	5,67731	0	1,04	1,32	1,79	1,7	2,26
	12.5.0	41	72	7,9959	0	1,04	1,42	1,79	1,98	2,17
	12.40.0	42	66	7,9959	0	1,04	1,23	1,51	1,98	1,51
	13.14.0	42	63	7,9959	0	1,23	1,32	1,51	1,89	2,08
13.49.0	40	75	7,29854	0	1,13	1,42	1,79	1,98	1,79	
14.25.0	40	80	7,29854	0	0,94	1,04	1,89	1,98	1,6	

DATA MONITORING ARUS BOCOR ISOLATOR										
Date	Time (Hour)	Temp. (°C)	Humidity (%)	UV mW/cm2	Rainfall mm/H	Type Insulators				
						Type A	Type B	Type C	Type D	Type E
	15.0.0	39	80	7,54305	0	1,04	1,23	1,89	1,98	2,26
	15.35.0	39	78	6,68668	0	1,04	1,42	1,89	2,08	1,79
	16.9.0	42	78	7,9959	0	1,13	1,42	1,89	2,17	2,26
	16.44.0	42	76	7,9959	0	1,04	1,42	1,89	2,08	2,17
	17.19.0	42	76	7,52401	0	0,75	1,13	1,89	2,17	1,79
	17.54.0	42	75	6,1571	0	1,04	1,13	1,89	2,08	1,89
	18.29.0	40	70	3,65725	0	0,85	1,13	1,7	2,08	1,7
	19.4.0	37	70	1,17467	0	1,04	1,13	1,89	2,08	2,17
	19.39.0	32	75	0	0	0,85	1,13	1,89	2,08	2,36
	20.15.0	32	75	0	0	0,85	0,94	1,89	2,08	1,51
	20.50.0	31	75	0	0	0,94	1,04	1,6	2,08	2,26
	21.25.0	31	74	0	0	0,85	1,13	1,89	2,08	1,98
	22.0.0	31	74	0	0	0,94	1,04	1,89	2,08	2,26
	22.35.0	31	78	0	0	0,94	1,04	1,32	2,08	1,32
	23.10.0	31	80	0	0	0,94	0,94	1,89	2,08	1,98
	23.45.0	31	80	0	0	0,94	1,13	1,79	2,08	1,89
15/02/20	0.18.0	30	82	0	0	0,85	1,13	1,89	2,17	1,23
	0.53.0	30	82	0	0	0,75	1,04	1,89	2,17	1,89
	1.27.0	30	85	0	0	0,75	1,13	1,89	2,08	2,26
	2.2.0	29	85	0	0	0,94	1,23	1,89	1,79	1,51
	2.36.0	29	90	0	0	1,04	1,13	1,89	2,17	2,17
	3.11.0	29	90	0	0	1,04	1,13	1,42	1,98	1,51
	3.45.0	29	92	0	0	0,94	1,13	1,89	2,17	1,79
	4.19.0	29	92	0	0	0,85	1,13	1,79	2,17	1,7
	4.55.0	28	92	0	0	0,85	1,13	1,79	2,08	1,51
	5.30.0	28	90	0	0	0,75	1,23	1,79	1,98	1,79
	6.5.0	28	92	0	0	0,94	1,13	1,7	2,08	1,23
	6.40.0	28	90	0	0	0,94	1,13	1,89	1,89	1,79
	7.14.0	28	81	0,06779	0	1,13	1,13	1,79	2,08	2,08
	7.49.0	28	81	0,31625	0	0,94	1,23	1,79	1,98	1,6
	8.23.0	28	76	0,31625	0	0,75	1,13	1,7	1,89	1,79
	8.59.0	31	63	0,49327	0	0,85	1,13	1,7	2,08	1,79
	9.35.0	37	60	3,89253	0	0,94	1,23	1,6	1,98	2,17
	10.10.0	38	62	4,92723	0	1,04	1,23	1,42	2,08	2,17
	10.45.0	37	62	7,07848	0	0,94	1,04	1,7	1,89	1,98
	11.19.0	37	72	7,07848	0	0,94	1,13	1,79	1,98	2,26
	11.54.0	40	72	7,9959	0	0,85	1,13	1,7	2,08	1,79
	12.28.0	40	66	7,9959	0	0,85	1,13	1,89	1,98	2,26
	13.3.0	40	63	7,9959	0	0,94	1,13	1,7	1,98	1,89
	13.38.0	41	75	7,9959	0	0,85	1,13	1,89	2,08	1,13

DATA MONITORING ARUS BOCOR ISOLATOR										
Date	Time (Hour)	Temp. (°C)	Humidity (%)	UV mW/cm2	Rainfall mm/H	Type Insulators				
						Type A	Type B	Type C	Type D	Type E
	14.13.0	41	80	7,9959	0	0,85	1,23	1,7	2,08	1,98
	14.48.0	41	80	7,9959	0	0,94	1,23	1,7	2,08	1,32
	15.23.0	41	78	7,9959	0	1,04	0,94	1,6	2,08	1,6
	15.58.0	39	78	4,85403	0	0,94	1,04	1,7	2,08	2,08
	16.34.0	39	76	4,85403	0	0,94	1,13	1,7	2,08	1,23
	17.9.0	39	76	4,62269	0	0,85	1,13	1,89	2,08	1,13
	17.44.0	38	75	3,24202	0	0,94	1,04	1,79	2,17	1,98
	18.19.0	36	70	1,34993	0	0,85	1,13	1,7	2,08	0,75
	18.54.0	36	70	1,34993	0	0,85	1,13	1,89	2,08	2,08
	19.29.0	33	75	0,00864	0	0,85	1,13	1,89	2,08	1,32
	20.4.0	32	75	0	0	0,94	1,13	1,79	2,08	1,89
	20.39.0	32	75	0	0	1,13	0,94	1,89	2,17	1,98
	21.14.0	31	74	0	0	0,94	1,13	1,7	2,08	2,36
	21.49.0	31	74	0	0	0,85	0,94	1,89	2,08	1,51
	22.24.0	31	78	0	0	0,94	1,13	1,89	2,08	1,6
	22.59.0	31	80	0	0	0,75	1,23	1,89	2,17	1,04
	23.34.0	31	80	0	0	1,04	1,04	1,79	2,17	2,26
16/02/20	0.8.0	30	82	0	0	1,04	1,13	1,89	2,17	1,32
	0.43.0	30	82	0	0	0,85	1,13	1,89	2,08	1,32
	1.20.0	30	85	0	0	0,75	1,04	1,89	2,17	2,17
	1.55.0	29	85	0	0	1,04	1,13	1,89	2,17	1,98
	2.29.0	29	90	0	0	0,85	1,23	1,89	2,17	2,17
	3.5.0	29	90	0	0	0,85	0,94	1,89	2,08	1,89
	3.39.0	29	92	0	0	0,85	1,23	1,89	2,17	1,79
	4.16.0	29	92	0	0	1,04	0,94	1,79	2,08	1,04
	4.51.0	29	92	0	0	0,85	1,13	1,89	2,17	1,79
	5.28.0	29	90	0	0	1,13	1,23	1,6	2,08	1,51
	6.2.0	29	92	0	0	1,13	1,13	1,79	1,98	1,51
	6.38.0	28	90	0	0	1,04	1,13	1,42	1,89	1,51
	7.13.0	28	81	0,05066	0	0,85	1,23	1,79	2,08	1,6
	7.58.0	29	81	0,34788	0	0,85	1,23	1,51	1,98	2,26
	8.32.0	29	76	0,34788	0	0,94	1,13	1,79	1,98	2,17
	9.7.0	31	63	0,57672	0	1,04	1,23	1,7	1,98	2,17
	9.42.0	32	60	1,11069	0	1,04	1,13	1,79	2,08	1,98
	10.16.0	37	62	2,89941	0	1,04	1,23	1,79	2,08	1,42
	10.51.0	37	62	2,89941	0	0,94	1,13	1,32	2,08	1,23
	11.26.0	37	72	4,55183	0	0,94	0,94	1,79	2,08	1,6
	12.1.0	39	72	6,93646	0	0,85	1,04	1,51	2,08	1,32
	12.37.0	34	66	1,05168	0	0,85	1,23	1,6	2,08	1,79
	13.12.0	34	63	1,05168	0	0,75	1,13	1,6	2,08	1,89

DATA MONITORING ARUS BOCOR ISOLATOR										
Date	Time (Hour)	Temp. (°C)	Humidity (%)	UV mW/cm2	Rainfall mm/H	Type Insulators				
						Type A	Type B	Type C	Type D	Type E
	13.47.0	30	75	2,44261	7	0,94	1,32	1,89	2,08	1,6
	14.22.0	30	80	2,44261	7	0,85	1,04	1,89	2,08	2,08
	14.57.0	34	80	3,10732	5	0,94	1,13	1,89	2,08	1,32
	15.32.0	34	78	1,60849	2	1,04	1,23	1,89	2,17	1,13
	16.7.0	34	78	1,63104	0	0,66	1,32	1,79	1,79	2,17
	16.42.0	34	76	2,06823	0	0,66	1,13	1,89	2,08	1,79
	17.17.0	34	76	1,97848	0	0,94	1,13	1,89	2,17	0,94
	17.52.0	33	75	1,55198	0	0,85	1,23	1,79	2,08	1,13
	18.27.0	33	70	0,79941	0	0,94	1,04	1,89	1,89	1,6
	19.2.0	30	70	0,19034	0	0,85	1,13	1,6	1,98	1,89
	19.36.0	30	75	0,19034	0	1,04	1,13	1,89	1,7	1,79
	20.11.0	30	75	0,00044	0	1,04	1,13	1,79	1,98	1,6
	20.46.0	29	75	0	0	1,04	1,04	1,7	1,98	1,23
	21.49.0	29	74	0	1	0,66	1,13	1,51	2,08	1,89
	22.25.0	28	74	0	12	0,66	1,23	1,7	1,98	1,51
	23.0.0	28	78	0	0	0,94	1,13	1,79	1,79	1,98
	23.35.0	28	80	0	0	0,85	1,04	1,23	1,89	1,04
17/02/20	0.10.0	28	80	0	0	0,85	1,23	1,7	1,89	1,51
	0.46.0	28	82	0	0	0,94	1,13	1,42	1,98	1,42
	1.21.0	28	82	0	0	1,13	1,23	1,7	1,89	1,51
	1.55.0	28	85	0	0	0,94	1,23	1,7	1,89	2,26
	2.29.0	28	85	0	0	0,75	1,32	1,6	1,89	1,42
	3.3.0	28	90	0	0	0,94	0,94	1,6	1,98	1,42
	3.37.0	28	90	0	0	0,85	1,04	1,6	1,89	1,79
	4.12.0	28	92	0	0	1,13	1,32	1,51	1,89	2,17
	4.46.0	28	92	0	0	1,04	1,13	1,79	1,89	2,08
	5.21.0	28	92	0	0	1,04	1,04	1,6	1,98	1,51
	5.57.0	27	90	0	3	0,94	1,23	1,7	1,98	2,26
	6.31.0	27	92	0	0	1,23	1,23	1,7	1,89	1,04
	7.7.0	27	90	0	0	1,13	1,23	1,6	1,98	2,36
	7.41.0	28	81	0,51918	0	0,94	1,32	1,51	1,89	1,13
	8.15.0	28	81	0,51918	0	0,94	1,13	1,7	2,08	1,42
	8.50.0	31	76	1,32592	0	0,94	1,32	1,7	1,98	2,17
	9.22.0	36	63	4,10483	0	1,13	1,32	1,79	1,89	2,74
	9.57.0	35	60	1,11552	8	1,23	1,32	1,7	2,08	1,51
	10.32.0	29	62	1,14539	0	1,04	1,32	1,7	1,89	2,08
	11.6.0	30	62	1,90864	0	0,94	1,32	1,7	2,08	2,17
	11.41.0	30	72	1,90864	0	0,85	1,23	1,79	2,08	2,64
	12.16.0	31	72	2,02474	0	1,23	1,42	1,6	1,98	2,08
	12.51.0	33	66	3,80761	0	0,94	1,23	1,79	1,89	1,23

DATA MONITORING ARUS BOCOR ISOLATOR										
Date	Time (Hour)	Temp. (°C)	Humidity (%)	UV mW/cm2	Rainfall mm/H	Type Insulators				
						Type A	Type B	Type C	Type D	Type E
	13.25.0	41	63	7,9959	0	1,13	1,51	1,79	1,89	1,7
	14.0.0	36	75	7,9959	0	1,04	1,23	1,51	1,7	1,51
	14.35.0	36	80	7,9959	0	1,04	1,32	1,7	1,89	1,13
	15.9.0	38	80	1,75739	0	1,13	1,13	1,6	1,89	1,7
	15.44.0	41	78	5,63543	0	1,04	1,42	1,79	1,79	2,08
	16.18.0	40	78	6,68668	0	1,13	1,23	1,79	1,98	1,7
	16.53.0	31	76	0,90717	0	1,04	1,23	1,89	2,08	1,98
	17.27.0	28	76	0,66808	0	1,13	1,23	1,6	2,08	1,7
	18.2.0	28	75	0,13997	0	1,13	1,13	1,6	1,98	2,08
	18.37.0	27	70	0,06047	1	0,94	1,32	1,6	1,98	2,36
	19.12.0	27	70	0,01801	2	0,94	1,13	1,79	1,98	1,98
	19.47.0	27	75	0,01801	2	1,13	1,23	1,7	1,98	2,26
	20.22.0	27	75	0	0	0,94	1,23	1,6	1,98	1,89
	20.57.0	27	75	0	2	1,23	1,23	1,7	2,08	1,79
	21.32.0	26	74	0	18	1,04	1,23	1,7	1,98	1,42
	22.7.0	26	74	0	18	1,04	1,23	1,79	1,98	2,08
	22.42.0	27	78	0	14	1,32	1,42	1,79	2,08	1,51
	23.17.0	27	80	0	39	1,23	1,32	1,7	1,98	2,17
	23.52.0	27	80	0	39	0,94	1,23	1,7	1,89	1,6
18/02/20	0.26.0	27	82	0	1	1,04	1,13	1,89	1,98	1,7
	1.0.0	27	82	0	4	1,04	1,32	1,89	2,17	2,26
	1.36.0	27	85	0	4	1,04	1,13	1,79	1,79	1,32
	2.11.0	27	85	0	37	1,23	1,51	1,89	2,08	1,51
	2.46.0	27	90	0	31	1,23	1,51	1,79	2,08	1,42
	3.22.0	26	90	0	3	1,32	1,51	1,7	1,98	1,89
	3.57.0	26	92	0	7	1,04	1,42	1,79	2,08	1,32
	4.33.0	26	90	0	7	1,32	1,32	1,79	2,08	1,98
	5.7.0	26	81	0	0	1,13	1,42	1,7	1,98	2,64
	5.42.0	26	81	0	0	1,04	1,51	1,79	2,08	1,42
	6.16.0	26	76	0	0	1,04	1,04	1,6	1,98	2,36
	6.52.0	26	63	0	0	0,94	1,23	1,7	1,98	1,7
	7.25.0	26	60	0,09663	0	0,85	1,23	1,89	1,98	1,23
	8.17.0	28	62	0,92225	0	0,94	1,23	1,7	1,98	2,74
	8.52.0	29	62	1,34158	0	1,04	1,13	1,6	1,89	2,26
	9.29.0	29	72	1,34158	0	1,04	1,23	1,7	1,89	1,23
	10.4.0	32	72	2,89649	0	0,85	1,04	1,79	1,98	2,26
	10.39.0	35	66	3,34056	0	0,75	1,13	1,79	1,98	1,79
	11.15.0	29	63	0,4246	1	0,85	1,13	1,51	1,98	1,89
	11.50.0	27	75	0,53719	13	0,94	1,23	1,79	2,08	1,6
	12.24.0	27	80	0,53719	13	0,94	1,04	1,89	1,98	1,89

DATA MONITORING ARUS BOCOR ISOLATOR										
Date	Time (Hour)	Temp. (°C)	Humidity (%)	UV mW/cm2	Rainfall mm/H	Type Insulators				
						Type A	Type B	Type C	Type D	Type E
	12.59.0	27	80	0,48067	16	1,04	1,13	1,42	1,98	1,42
	13.34.0	27	78	0,48067	16	1,04	1,13	1,42	1,89	1,89
	14.10.0	27	78	0,83455	45	0,94	1,13	1,6	1,98	1,89
	14.45.0	27	76	0,4899	731	0,75	1,13	1,6	2,08	1,04
	15.19.0	27	76	0,4899	731	0,85	1,13	1,7	1,89	1,89
	15.54.0	29	75	1,32064	0	0,85	1,13	1,79	1,98	1,98
	16.29.0	28	70	0,89795	7	0,94	1,23	1,7	1,89	2,08
	17.4.0	28	70	0,89795	7	0,85	1,04	1,6	1,98	1,6
	17.39.0	29	75	0,18389	0	1,04	1,32	1,7	1,98	1,32
	18.14.0	29	75	0,18389	0	0,94	1,13	1,89	1,89	1,6
	18.49.0	28	75	0,12723	20	0,85	1,23	1,79	2,08	2,08
	19.25.0	27	74	0,00337	287	0,94	1,23	1,6	2,08	1,6
	20.0.0	27	74	0	0	1,04	1,04	1,79	1,89	1,7
	20.35.0	27	90	0	0	0,94	1,23	1,89	1,98	1,79
	21.9.0	27	92	0	0	0,94	1,04	1,79	1,98	1,7
	21.44.0	27	90	0	0	0,94	1,04	1,6	1,98	1,42
	22.20.0	27	81	0	0	1,04	1,13	1,79	1,98	1,98
	22.55.0	27	81	0	0	0,94	1,23	1,79	2,08	1,79
	23.29.0	27	76	0	0	0,94	1,23	1,42	1,98	2,26
19/02/20	0.4.0	27	63	0	1	0,75	1,32	1,13	1,98	1,6
	0.38.0	27	60	0	1	1,04	1,32	1,7	1,98	1,6
	1.14.0	26	62	0	1	1,04	1,42	1,42	1,98	1,98
	1.49.0	26	62	0	0	1,04	1,23	1,7	2,08	1,89
	2.22.0	26	72	0	0	0,94	1,32	1,6	1,98	1,42
	2.56.0	26	72	0	0	1,13	1,23	1,79	1,89	1,23
	3.30.0	26	66	0	0	0,94	1,23	1,79	1,79	1,51
	4.5.0	26	63	0	0	0,85	1,23	1,42	1,89	1,23
	4.39.0	26	75	0	0	0,94	1,32	1,6	1,89	2,08
	5.14.0	26	80	0	0	0,94	1,32	1,42	1,79	2,17
	5.50.0	26	80	0	0	1,04	1,32	1,6	1,89	1,6
	6.23.0	26	78	0	0	0,94	1,23	1,7	1,89	2,74
	6.58.0	26	78	0,00293	0	1,04	1,23	1,32	1,98	0,85
	7.32.0	26	76	0,00293	0	0,94	1,42	1,7	1,98	1,51
	8.7.0	26	76	0,28785	0	0,94	1,23	1,04	1,89	2,08
	8.42.0	28	75	0,57731	25	1,04	1,23	1,32	1,89	0,85
	9.15.0	27	70	0,51581	4	0,85	1,23	1,32	1,79	2,08
	9.49.0	27	70	0,51581	4	0,94	1,13	1,42	1,89	2,64
	10.23.0	27	75	0,74671	2	0,94	1,04	1,7	1,79	1,79
	10.58.0	29	75	1,32401	0	0,85	1,23	1,32	1,89	1,13
	11.33.0	29	75	1,39766	0	0,94	1,23	1,42	1,89	1,89

DATA MONITORING ARUS BOCOR ISOLATOR										
Date	Time (Hour)	Temp. (°C)	Humidity (%)	UV mW/cm2	Rainfall mm/H	Type Insulators				
						Type A	Type B	Type C	Type D	Type E
	12.8.0	32	74	2,22738	0	0,94	1,23	1,42	1,98	1,7
	12.43.0	34	74	3,2123	0	0,85	1,32	1,6	1,98	1,7
	13.18.0	37	78	3,70264	0	1,04	1,13	1,7	1,98	1,98
	13.53.0	37	80	3,70264	0	0,94	1,13	1,79	1,98	2,17
	14.28.0	39	80	4,40835	0	1,23	1,23	1,51	1,89	1,32
	15.3.0	38	82	2,54846	0	0,94	1,32	1,79	2,08	1,79
	15.39.0	28	82	0,57438	17	1,04	1,13	1,89	1,98	1,98
	16.13.0	28	85	0,57438	17	0,75	1,13	1,79	2,08	2,17
	16.48.0	27	85	0,3265	17	0,94	1,13	1,51	1,98	0,94
	17.23.0	27	90	0,36398	1	0,94	1,04	1,89	2,17	2,08
	17.58.0	28	90	0,36208	0	1,13	1,23	1,79	1,98	2,17
	18.33.0	28	92	0,28155	1	0,94	1,13	1,6	1,98	1,51
	19.8.0	28	92	0,05608	0	1,13	1,42	1,7	1,98	1,7
	19.43.0	27	92	0	0	1,13	1,13	1,32	1,89	1,98
	20.19.0	27	90	0	0	0,94	1,23	1,7	1,98	1,32
	20.54.0	27	92	0	0	1,13	1,23	1,7	1,98	1,89
	21.29.0	27	90	0	0	0,85	1,42	1,42	1,89	2,17
	22.5.0	27	81	0	0	1,23	1,32	1,6	1,89	1,13
	22.40.0	27	81	0	0	0,85	1,23	1,7	1,98	1,23
	23.16.0	27	76	0	0	0,94	1,23	1,04	1,98	2,08
	23.51.0	27	63	0	0	0,94	1,23	1,6	1,89	1,98
20/02/20	0.25.0	27	60	0	0	1,04	1,13	1,42	1,98	0,94
	1.0.0	27	62	0	0	0,94	1,13	1,7	1,98	1,98
	1.34.0	27	62	0	0	0,94	1,13	1,7	1,89	1,7
	2.9.0	27	72	0	0	0,94	1,23	1,7	1,98	2,08
	2.44.0	27	72	0	0	0,94	1,13	1,51	1,98	2,08
	3.18.0	27	66	0	0	0,94	1,13	1,42	1,89	1,42
	3.53.0	27	63	0	0	0,85	1,13	1,6	1,98	2,55
	4.29.0	27	75	0	0	1,04	1,13	1,6	1,89	1,42
	5.4.0	27	80	0	0	1,04	1,42	1,42	1,89	0,94
	5.39.0	27	80	0	0	1,13	1,23	1,32	1,89	1,89
	6.12.0	27	78	0	0	1,04	1,42	1,42	1,89	1,89
	6.48.0	27	78	0	0	0,94	1,32	1,7	1,89	1,6
	7.23.0	27	76	0	0	0,94	1,23	1,7	1,79	1,79
	7.58.0	27	76	0,17174	0	1,04	1,23	1,42	1,89	2,26
	8.33.0	30	75	0,79649	0	1,04	1,32	1,42	1,89	1,6
	9.7.0	33	70	2,16296	0	1,13	1,13	1,6	1,98	2,45
	9.42.0	36	70	2,76515	0	1,04	1,13	1,6	1,98	1,7
	10.17.0	36	75	2,76515	0	0,85	1,23	1,7	1,98	1,42
	10.52.0	37	75	4,36252	0	0,94	1,23	1,7	2,17	1,89

DATA MONITORING ARUS BOCOR ISOLATOR										
Date	Time (Hour)	Temp. (°C)	Humidity (%)	UV mW/cm2	Rainfall mm/H	Type Insulators				
						Type A	Type B	Type C	Type D	Type E
	11.28.0	36	75	1,63924	0	0,85	1,13	1,89	2,17	1,98
	12.3.0	37	74	1,35871	0	1,04	1,04	1,79	2,08	1,23
	12.38.0	31	74	0,50644	0	0,94	1,23	1,89	1,98	1,98
	13.13.0	31	78	0,50644	0	0,94	1,13	1,51	1,89	1,04
	13.48.0	28	80	0,30454	365	1,04	1,13	1,89	1,98	1,7
	14.22.0	28	80	0,83836	3	0,85	1,23	1,89	2,17	1,79
	14.57.0	28	82	0,83836	3	1,13	1,23	1,79	2,08	1,98
	15.31.0	29	82	1,09063	1	1,04	1,13	1,7	2,17	2,26
	16.6.0	30	85	1,4265	1	0,94	1,32	1,89	2,08	1,7
	16.41.0	30	85	1,4265	1	1,13	1,04	1,79	2,08	1,79
	17.16.0	31	90	1,13514	0	1,13	1,23	1,51	1,98	2,08
	17.51.0	31	90	1,13514	0	0,94	1,23	1,51	2,08	1,6
	18.26.0	31	92	0,55871	0	1,04	1,13	1,7	1,98	1,79
	19.1.0	28	92	0,05695	22	1,04	1,32	1,89	1,98	1,79
	19.35.0	28	92	0,05695	22	0,75	1,23	1,79	1,98	1,51
	20.10.0	27	90	0	0	0,94	1,23	1,79	2,08	2,17
	20.45.0	27	92	0	0	0,94	1,13	1,89	1,98	1,89
	21.20.0	27	90	0	0	0,94	1,23	1,7	1,98	1,42
	21.55.0	27	90	0	0	0,75	0,94	1,42	1,98	2,08
	22.30.0	27	92	0	0	0,94	1,13	1,89	2,08	2,17
	23.5.0	27	90	0	0	0,94	1,13	1,89	2,08	1,6
	23.40.0	27	81	0	0	0,85	1,32	1,89	1,98	1,89
21/02/20	0.14.0	27	81	0	0	0,94	1,23	1,79	1,98	1,42
	0.48.0	27	76	0	0	0,94	1,13	1,79	1,98	1,6
	1.24.0	27	63	0	0	0,85	1,04	1,79	2,08	1,51
	1.59.0	27	60	0	0	0,94	1,13	1,6	2,17	1,7
	2.33.0	27	62	0	0	0,85	1,23	1,89	1,98	0,85
	3.8.0	27	62	0	0	0,94	1,13	1,6	2,08	1,79
	3.43.0	27	72	0	0	1,04	1,23	1,89	2,08	1,7
	4.15.0	27	72	0	0	0,94	1,13	1,79	2,08	2,08
	4.50.0	27	66	0	0	0,85	1,13	1,89	2,08	1,79
	5.26.0	26	63	0	0	1,13	1,23	1,79	2,08	1,79
	6.1.0	26	75	0	0	0,94	0,94	1,79	2,17	1,89
	6.36.0	27	80	0	0	0,94	1,13	1,7	2,17	1,13
	7.12.0	27	80	0,05754	0	0,94	1,13	1,42	1,98	2,17
	7.48.0	27	78	0,05754	0	0,85	1,13	1,79	2,08	2,36
	8.22.0	29	78	0,6735	0	0,94	1,13	1,7	1,98	2,17
	8.58.0	31	76	1,32299	0	0,94	1,23	1,79	2,08	2,55
	9.34.0	33	76	1,7877	0	0,94	1,13	1,7	1,98	2,36
	10.10.0	39	75	5,52709	0	0,94	1,13	1,89	2,08	1,98

DATA MONITORING ARUS BOCOR ISOLATOR										
Date	Time (Hour)	Temp. (°C)	Humidity (%)	UV mW/cm2	Rainfall mm/H	Type Insulators				
						Type A	Type B	Type C	Type D	Type E
	10.45.0	39	70	5,52709	0	0,85	1,13	1,79	1,98	1,79
	11.21.0	39	70	4,9858	240	1,04	1,42	1,79	1,98	1,98
	11.56.0	39	75	1,97408	0	0,94	1,04	1,79	1,98	1,13
	12.32.0	39	75	1,97408	0	0,94	1,13	1,79	1,98	1,42
	13.7.0	39	75	6,95608	0	1,04	1,13	1,79	1,89	2,08
	13.42.0	36	74	7,9959	0	1,04	1,13	1,79	1,98	1,98
	14.17.0	39	74	7,9959	0	0,85	1,23	1,79	2,08	2,64
	14.52.0	36	78	5,99941	0	0,75	1,13	1,6	2,08	1,7
	15.26.0	36	80	3,81493	0	0,85	1,13	1,89	2,08	2,17
	16.1.0	36	80	3,81493	0	0,75	1,04	1,7	2,17	2,17
	16.35.0	36	82	2,21127	0	1,04	1,13	1,98	2,17	2,08
	17.11.0	34	82	1,75403	0	0,94	1,23	1,98	2,08	1,79
	17.46.0	34	85	1,75403	0	1,04	1,13	1,79	2,17	1,42
	18.21.0	34	85	0,73001	1	1,04	1,13	1,7	2,17	2,55
	18.56.0	31	90	0,24978	2	0,94	1,13	1,98	2,17	1,98
	19.31.0	30	90	0,00234	0	0,85	1,13	1,79	2,17	2,36
	20.5.0	30	92	0,00234	0	0,85	1,13	1,89	1,89	1,6
	20.40.0	29	92	0	0	0,94	1,04	1,98	2,17	2,08
	21.14.0	29	92	0	0	0,85	1,13	1,89	2,17	2,17
	21.49.0	29	90	0	0	0,94	1,32	1,89	2,08	1,98
	22.24.0	29	92	0	0	0,75	1,23	1,7	1,89	2,17
	22.59.0	29	92	0	0	1,04	1,23	1,7	2,08	1,7
	23.33.0	29	92	0	0	0,66	1,04	1,89	1,98	2,36
22/02/20	0.8.0	29	90	0	0	0,66	1,23	1,79	1,98	1,7
	0.42.0	29	92	0	0	1,04	1,23	1,79	2,08	1,89
	1.16.0	29	90	0	0	0,57	1,23	1,89	2,08	2,55
	1.52.0	28	81	0	0	1,04	1,04	1,89	2,08	2,17
	2.28.0	28	81	0	0	1,04	1,04	1,89	2,08	2,08
	3.4.0	28	76	0	0	1,04	1,04	1,89	2,08	1,42
	3.38.0	28	63	0	0	0,75	1,13	1,79	2,08	1,42
	4.13.0	28	60	0	5	0,85	1,13	1,79	1,98	2,08
	4.47.0	27	62	0	5	0,94	1,13	1,79	2,08	2,08
	5.20.0	27	62	0	5	1,04	1,13	1,79	2,08	1,89
	5.54.0	27	72	0	2	1,04	1,13	1,51	2,17	1,7
	6.30.0	27	72	0	0	1,04	1,23	1,79	1,98	2,55
	7.4.0	27	66	0	0	1,04	1,13	1,79	1,98	1,51
	7.38.0	27	63	0,01069	0	0,75	1,23	1,7	1,98	0,57
	8.12.0	27	75	0,33089	8	0,94	1,23	1,7	1,89	1,13
	8.48.0	30	80	1,11508	0	1,04	1,23	1,7	1,89	1,6
	9.21.0	32	80	2,0224	0	1,04	1,23	1,7	2,08	1,89

DATA MONITORING ARUS BOCOR ISOLATOR										
Date	Time (Hour)	Temp. (°C)	Humidity (%)	UV mW/cm2	Rainfall mm/H	Type Insulators				
						Type A	Type B	Type C	Type D	Type E
	9.55.0	34	78	2,40498	0	0,94	1,23	1,79	2,08	1,6
	10.30.0	34	78	2,02533	0	0,94	1,23	1,6	1,89	1,23
	11.4.0	34	76	2,02533	0	1,04	1,13	1,89	1,89	1,7
	11.38.0	31	76	2,37379	141	1,04	1,23	1,89	1,98	2,08
	12.13.0	31	75	2,37379	141	0,85	1,04	1,6	1,89	1,79
	12.48.0	33	70	3,04583	0	0,94	1,23	1,79	2,17	1,79
	13.24.0	36	70	3,31083	0	0,94	1,04	1,6	2,08	0,66
	13.59.0	37	75	3,37526	0	0,94	1,13	1,98	2,17	2,36
	14.33.0	37	75	3,37526	0	0,94	0,94	1,7	2,17	2,64
	15.8.0	35	75	3,49048	0	0,94	1,13	1,89	2,08	2,55
	15.43.0	33	74	1,9653	0	1,04	1,13	1,89	2,08	1,98
	16.18.0	33	74	1,9653	0	0,94	1,13	1,89	2,17	1,79
	16.53.0	33	78	1,31713	0	0,94	1,04	1,89	2,08	1,89
	17.27.0	33	80	1,31713	0	0,85	1,04	1,89	2,08	2,08
	18.2.0	33	80	0,47921	0	0,94	1,13	1,6	2,17	1,51
	18.36.0	32	82	0,16193	0	0,94	1,23	1,98	2,17	1,6
	19.12.0	31	82	0,02635	0	0,94	1,13	1,51	2,08	1,6
	19.47.0	30	85	0	0	0,85	1,13	1,89	2,17	1,98
	20.22.0	30	85	0	0	0,85	1,13	1,89	1,98	1,89
	20.57.0	30	90	0	0	0,85	0,94	1,89	1,98	0,94
	21.31.0	29	90	0	0	0,94	1,13	1,79	2,08	2,45
	22.7.0	29	92	0	0	0,94	1,23	1,98	2,17	2,08
	22.42.0	29	92	0	0	1,04	1,23	1,89	2,17	2,08
	23.17.0	29	92	0	0	0,94	1,13	1,89	2,08	2,08
	23.52.0	29	95	0	0	0,94	1,13	1,89	1,89	2,08
23/02/20	0.27.0	28	90	0	0	0,94	1,23	1,89	2,17	2,45
	1.1.0	28	92	0	0	0,94	1,13	1,79	1,98	2,08
	1.37.0	27	90	0	0	0,85	1,23	1,89	1,98	2,08
	2.13.0	27	81	0	0	0,94	1,13	1,79	2,08	1,6
	2.47.0	27	81	0	0	0,94	1,13	1,7	1,98	2,45
	3.23.0	27	76	0	0	0,94	1,23	1,7	1,98	1,42
	3.59.0	27	63	0	0	0,85	1,23	1,51	1,98	1,7
	4.34.0	27	60	0	0	0,85	1,04	1,79	1,89	2,55
	5.10.0	27	62	0	0	1,13	1,13	1,89	1,89	1,32
	5.46.0	27	62	0	0	0,85	1,13	1,89	1,98	1,6
	6.18.0	27	72	0	1	1,04	1,04	1,7	2,08	1,7
	6.53.0	27	72	0,00044	0	0,94	1,23	1,89	1,98	1,89
	7.29.0	27	66	0,17174	0	1,04	1,13	1,79	2,08	1,79
	8.3.0	28	63	0,17174	0	0,94	1,23	1,89	2,08	1,7

DATA MONITORING ARUS BOCOR ISOLATOR										
Date	Time (Hour)	Temp. (°C)	Humidity (%)	UV mW/cm2	Rainfall mm/H	Type Insulators				
						Type A	Type B	Type C	Type D	Type E
	8.39.0	30	75	0,92372	0	0,94	1,23	1,51	2,08	2,55
	9.14.0	30	80	0,63192	0	1,04	1,13	1,89	2,17	1,98
	9.49.0	30	80	0,63192	0	0,75	1,32	1,98	2,08	1,89
	10.24.0	32	78	3,67833	0	0,94	1,23	1,79	2,08	2,08
	10.59.0	32	78	3,67833	0	0,94	1,23	1,79	2,08	1,42
	11.34.0	35	76	2,17072	0	0,94	1,42	1,51	1,89	1,51
	12.9.0	35	76	2,17072	0	0,94	1,04	1,89	1,89	2,08
	12.44.0	35	75	1,74568	0	0,85	1,42	1,79	1,98	1,7
	13.18.0	36	70	3,22343	0	1,04	1,32	1,7	2,08	1,98
	13.53.0	34	70	3,67877	0	1,04	1,04	1,7	1,89	1,42
	14.29.0	36	75	2,51479	0	0,85	1,13	1,51	1,98	2,17
	15.4.0	34	75	2,25461	0	0,75	1,23	1,7	1,98	1,42
	15.39.0	34	75	2,5388	0	0,94	1,23	1,6	2,08	1,79
	16.14.0	36	74	2,09356	0	0,94	1,13	1,7	2,17	1,32
	16.49.0	36	74	2,09356	0	0,94	1,23	1,89	1,98	2,08
	17.25.0	33	78	1,31772	0	0,94	1,23	1,79	2,08	2,45
	18.0.0	33	80	1,31772	0	0,94	1,32	1,79	2,08	1,6
	18.35.0	33	80	1,16237	0	0,94	1,23	1,7	2,08	2,17
	19.10.0	34	82	0,74758	0	0,94	1,23	1,79	1,98	0,94
	19.45.0	31	82	0	0	0,85	1,42	1,7	2,08	1,98
	20.20.0	30	85	0	0	0,94	1,13	1,79	1,98	1,79
	20.55.0	30	85	0	0	1,04	1,23	1,89	1,98	1,89
	21.29.0	30	90	0	0	0,85	1,13	1,89	2,08	1,6
	22.4.0	30	90	0	0	0,85	1,13	1,6	1,89	1,98
	22.39.0	30	92	0	0	1,13	1,13	1,7	1,98	1,89
	23.15.0	29	92	0	0	0,94	1,13	1,42	1,7	2,17
	23.50.0	29	92	0	0	0,85	1,23	1,7	2,08	2,55
24/02/20	0.24.0	27	95	0	7	0,75	1,23	1,6	2,08	2,08
	0.58.0	27	95	0	1	0,94	1,23	1,6	1,89	2,55
	1.33.0	27	90	0	0	1,13	1,32	1,79	1,98	1,98
	2.8.0	28	92	0	0	1,04	1,23	1,79	1,89	2,08
	2.42.0	28	90	0	0	0,94	1,23	1,79	1,89	1,51
	3.17.0	28	81	0	0	1,04	1,23	1,7	1,98	2,17
	3.52.0	28	81	0	0	0,94	1,04	1,7	1,89	2,08
	4.26.0	28	76	0	0	0,75	1,13	1,7	1,79	2,17
	5.0.0	28	63	0	0	1,04	1,23	1,79	1,79	1,98
	5.35.0	28	60	0	0	1,13	1,04	1,51	1,98	1,42
	6.10.0	28	62	0	0	0,94	1,13	1,98	1,79	1,6
	6.44.0	28	62	0	0	0,85	1,23	1,89	1,89	1,42
	7.17.0	28	72	0,09165	0	1,04	1,32	1,7	1,98	1,51

DATA MONITORING ARUS BOCOR ISOLATOR										
Date	Time (Hour)	Temp. (°C)	Humidity (%)	UV mW/cm2	Rainfall mm/H	Type Insulators				
						Type A	Type B	Type C	Type D	Type E
	7.52.0	28	72	0,09165	0	0,75	1,13	1,89	1,89	2,36
	8.27.0	29	66	0,56559	0	1,23	1,23	1,7	1,98	2,17
25/02/20	9.2.0	31	63	1,30307	0	0,85	1,32	1,7	1,89	2,17
	9.37.0	33	75	1,79107	0	1,04	1,13	1,79	2,08	1,7
	10.13.0	36	80	5,97555	0	0,85	1,23	1,89	1,89	1,6
	10.48.0	36	80	5,97555	0	0,94	1,13	1,79	2,08	2,08
	11.8.11	38	78	3,70512	0	1,04	1,13	1,7	1,89	1,51
	11.43.0	39	78	7,9959	0	0,85	1,23	1,89	1,98	1,98
	12.17.0	39	76	7,9959	0	0,57	1,23	1,7	1,89	1,7
	12.52.0	40	76	7,9959	0	0,85	1,04	1,79	1,98	1,04
	13.27.0	40	75	7,9959	0	0,94	1,32	1,6	1,98	1,6
	14.2.0	40	70	7,9959	0	0,66	1,13	1,6	2,08	1,42
	14.36.0	41	70	4,01362	0	0,94	1,13	1,89	2,17	1,42
	15.11.0	41	75	7,9959	0	0,94	1,13	1,89	2,17	1,42
	15.46.0	41	75	6,24934	0	0,85	1,23	1,89	2,17	1,98
	16.21.0	38	75	2,72123	0	0,75	1,13	1,89	2,08	1,04
	16.56.0	38	74	2,99649	0	1,04	1,04	1,89	2,17	1,98
	17.30.0	38	74	2,99649	0	0,75	1,04	1,89	2,17	2,45
	18.5.0	34	78	0,95549	0	0,75	1,04	1,89	2,17	2,08
	18.40.0	33	80	0,47482	0	0,85	1,13	1,89	2,08	2,45
	19.15.0	32	80	0,11552	0	0,66	1,04	1,89	2,08	2,08
	19.50.0	32	82	0	0	0,75	1,13	1,79	2,17	2,08
	20.25.0	31	82	0	0	0,85	1,23	1,89	2,08	1,04
	21.0.0	31	85	0	0	1,04	1,32	1,79	2,08	1,51
	21.35.0	31	85	0	0	0,85	1,13	1,89	2,17	1,7
	22.10.0	30	90	0	0	0,94	1,04	1,89	2,08	0,94
	22.45.0	30	90	0	0	0,85	1,04	1,79	2,17	1,23
	23.21.0	30	92	0	0	0,75	1,13	1,89	2,17	2,45
	23.56.0	30	92	0	0	0,57	1,13	1,98	2,17	1,89
	0.30.0	29	92	0	0	0,85	1,13	1,98	2,08	1,42
	1.7.0	29	90	0	0	0,85	1,04	1,98	2,08	1,32
	1.41.0	29	92	0	0	0,94	1,13	1,89	2,17	0,57
	2.17.0	29	90	0	0	0,94	1,13	1,98	2,08	1,51
	2.51.0	29	81	0	0	0,94	1,13	1,98	2,17	1,32
3.24.0	29	81	0	0	0,85	1,04	1,7	2,08	1,13	
3.58.0	28	76	0	0	0,85	1,23	1,89	2,08	1,7	
4.34.0	28	63	0	0	0,94	1,23	1,6	2,17	1,7	
5.8.0	28	60	0	0	0,94	1,13	1,7	2,08	2,26	
5.42.0	28	62	0	0	1,04	1,13	1,7	2,08	1,42	
6.19.0	28	62	0	0	1,13	1,13	1,79	1,98	1,42	

DATA MONITORING ARUS BOCOR ISOLATOR										
Date	Time (Hour)	Temp. (°C)	Humidity (%)	UV mW/cm2	Rainfall mm/H	Type Insulators				
						Type A	Type B	Type C	Type D	Type E
	6.54.0	28	72	0,00234	0	1,04	1,23	1,23	1,98	0,85
	7.30.0	28	72	0,15168	0	0,75	1,13	1,89	1,98	1,6
	8.5.0	28	66	0,15168	0	1,04	1,04	1,13	1,89	1,51
	8.40.0	30	63	0,45769	0	1,04	1,23	1,7	2,08	1,98
	9.14.0	30	75	0,45769	0	1,04	1,13	1,6	2,08	1,04
	9.49.0	33	80	3,03265	0	0,94	1,23	1,79	2,08	1,32
	10.24.0	37	80	1,68755	0	0,94	1,23	1,7	2,08	2,08
	10.59.0	37	78	1,68755	0	1,04	1,13	1,79	2,08	1,13
	11.34.0	37	78	7,84963	0	0,85	1,13	1,89	2,08	1,13
	12.9.0	36	76	3,7754	0	0,85	1,13	1,32	2,08	1,51
	12.44.0	41	76	7,9959	0	0,94	1,23	1,6	2,08	2,17
	13.19.0	41	75	7,9959	0	0,75	1,23	1,6	1,98	1,32
	13.54.0	41	70	7,9959	0	0,94	1,13	1,89	2,08	1,32
	14.29.0	40	70	7,9959	0	0,85	1,23	1,7	2,08	1,6
	15.4.0	39	75	5,6735	0	0,85	0,94	1,79	2,08	1,51
	15.39.0	37	75	2,17408	0	0,94	1,13	1,42	1,98	1,98
	16.14.0	37	75	2,17408	0	0,75	1,23	1,79	2,17	1,51
	16.49.0	37	74	2,93499	0	0,94	1,23	1,89	2,17	1,6
	17.24.0	37	74	3,19912	0	0,75	1,13	1,89	2,17	0,85
	17.59.0	36	78	1,82328	0	0,75	1,32	1,98	2,08	0,75
	18.34.0	35	80	1,14436	0	1,04	1,13	1,89	1,98	1,6
	19.8.0	33	80	0,13997	0	0,94	1,32	1,89	2,08	0,75
	19.43.0	33	82	0,13997	0	0,66	1,23	1,89	2,08	1,32
	20.18.0	32	82	0	0	1,04	1,23	1,89	2,08	0,66
	20.53.0	31	85	0	0	0,85	1,32	1,98	2,17	1,13
	21.29.0	31	85	0	0	0,66	1,32	1,6	2,17	0,75
	22.4.0	30	90	0	0	0,85	1,13	1,98	2,17	1,79
	22.39.0	30	90	0	0	0,85	1,04	1,7	2,17	1,7
	23.14.0	30	92	0	0	0,94	1,13	1,89	2,17	1,42
	23.49.0	30	92	0	0	0,85	1,23	1,98	2,17	1,6
26/02/20	0.23.0	30	92	0	0	1,51	1,32	1,7	2,08	1,51
	0.58.0	29	90	0	5	1,23	1,51	1,89	2,17	1,42
	1.33.0	29	92	0	5	1,32	1,51	1,7	2,08	0,75
	2.7.0	29	90	0	0	1,32	1,51	1,42	2,08	1,13
	2.42.0	29	81	0	0	1,23	1,42	1,89	2,17	0,94
	3.15.0	29	81	0	0	0,75	1,13	1,98	2,17	0,94
	3.50.0	28	76	0	0	0,85	1,13	1,89	2,08	1,23
	4.26.0	28	63	0	0	0,94	1,04	1,89	2,17	1,32
	5.1.0	28	60	0	0	1,23	1,51	1,6	2,08	1,32
	5.36.0	28	62	0	0	0,75	1,04	1,89	1,98	1,23

DATA MONITORING ARUS BOCOR ISOLATOR										
Date	Time (Hour)	Temp. (°C)	Humidity (%)	UV mW/cm2	Rainfall mm/H	Type Insulators				
						Type A	Type B	Type C	Type D	Type E
	6.10.0	28	62	0	0	0,85	1,13	1,6	2,17	1,13
	6.45.0	28	72	0	0	1,13	1,32	1,79	2,17	1,13
	7.18.0	28	72	0,07116	0	1,13	1,32	1,79	2,17	2,08
	7.54.0	28	66	0,07116	0	0,94	1,23	1,89	2,17	1,32
	8.29.0	29	63	0,44217	0	0,85	1,04	1,79	2,17	0,85
	9.4.0	31	75	0,76867	0	1,32	1,32	1,51	2,08	1,13
	9.39.0	34	80	1,5246	0	1,13	1,42	1,89	2,08	0,75
	10.14.0	38	80	2,49092	0	0,85	1,13	1,6	2,08	1,6
	10.49.0	39	78	2,04187	0	0,94	1,13	1,89	1,89	1,04
	11.24.0	36	78	1,69195	0	0,85	1,13	1,79	2,08	1,98
	11.59.0	33	76	1,99795	0	0,75	1,04	1,79	2,08	0,66
	12.34.0	34	76	1,45286	0	0,85	1,23	1,89	2,08	2,17
	13.9.0	36	75	2,28931	0	0,75	1,13	1,51	1,98	0,94
	13.44.0	37	70	2,46647	0	0,85	1,13	1,79	2,08	1,6
	14.19.0	36	70	1,61245	0	0,94	1,32	1,7	2,08	1,98
	14.54.0	37	75	2,16237	0	0,94	1,13	1,6	2,17	1,13
	15.29.0	35	75	1,45037	0	1,04	1,23	1,89	2,08	1,04
	16.3.0	33	75	1,01596	0	0,85	1,04	1,79	2,08	0,47
	16.38.0	33	74	1,13075	0	0,85	1,23	1,89	2,08	0,94
	17.13.0	33	74	1,07599	0	0,94	1,13	1,89	2,08	1,42
	17.48.0	34	78	0,91406	0	0,85	1,13	1,89	2,08	1,23
	18.23.0	34	80	0,91406	0	0,94	1,23	1,79	2,08	1,42
	18.58.0	33	80	0,55329	0	0,85	1,13	1,79	1,89	1,42
	19.33.0	33	82	0,14392	0	0,94	1,13	1,79	1,98	0,75
	20.8.0	31	82	0,00044	0	1,04	1,13	1,51	1,98	2,26
	20.43.0	31	85	0	0	1,04	1,23	1,7	2,08	1,98
	21.18.0	31	85	0	0	1,04	1,13	1,7	1,89	1,6
	21.53.0	30	90	0	0	1,04	1,13	1,79	1,98	1,6
	22.28.0	30	90	0	0	0,85	1,04	1,79	1,98	1,7
	23.3.0	30	92	0	0	0,85	1,04	1,6	1,98	2,17
	23.39.0	29	92	0	0	1,13	1,13	1,79	1,98	1,23
27/02/20	0.15.0	29	92	0	0	0,85	1,23	1,7	1,98	1,7
	0.49.0	29	90	0	0	0,94	1,13	1,89	2,17	0,94
	1.26.0	29	92	0	0	0,94	1,32	1,42	2,08	1,23
	2.1.0	29	90	0	0	0,85	1,04	1,89	2,08	1,79
	2.36.0	29	81	0	0	1,23	1,04	1,7	1,98	0,47
	3.11.0	28	81	0	0	1,04	1,23	1,51	2,08	0,85
	3.46.0	28	82	0	0	1,04	1,23	1,7	1,98	1,23
	4.21.0	28	85	0	0	0,94	1,13	1,79	1,98	1,32
	4.57.0	28	85	0	0	0,94	1,32	1,79	1,98	1,13

DATA MONITORING ARUS BOCOR ISOLATOR										
Date	Time (Hour)	Temp. (°C)	Humidity (%)	UV mW/cm2	Rainfall mm/H	Type Insulators				
						Type A	Type B	Type C	Type D	Type E
	5.32.0	28	90	0	0	0,94	1,13	1,6	1,98	2,17
	6.6.0	28	90	0	0	0,66	1,23	1,79	1,89	1,04
	6.40.0	27	92	0	5	0,94	1,13	1,51	1,98	0,94
	7.15.0	27	92	0	5	0,85	1,13	1,79	1,98	1,7
	7.49.0	27	92	0,38214	1	0,94	1,13	1,79	2,17	0,85
	8.26.0	29	90	1,43675	0	1,04	1,23	1,89	1,98	1,6
	9.2.0	29	75	1,43675	0	0,94	1,23	1,79	1,98	1,51
	9.37.0	31	80	3,48799	6	0,85	1,04	1,7	2,08	0,85
	10.12.0	34	80	3,10586	0	0,75	1,13	1,7	1,89	0,85
	10.47.0	34	78	3,10586	0	0,94	1,04	1,6	1,98	1,23
	11.22.0	35	78	0,49136	0	0,94	1,23	1,89	1,98	1,79
	11.57.0	29	76	1,98521	9	0,94	1,23	1,51	2,08	1,13
	12.31.0	34	76	2,79649	0	0,85	1,04	1,7	1,98	1,79
	13.6.0	33	75	2,04524	0	0,94	1,04	1,32	2,08	0,85
	13.41.0	33	70	2,04524	0	0,94	1,13	1,89	1,98	0,75
	14.16.0	34	70	4,7183	0	0,94	1,04	1,6	1,79	0,47
	14.51.0	34	76	2,47818	0	1,13	1,23	1,51	1,98	1,42
	15.26.0	34	63	1,853	0	0,94	1,04	1,7	1,98	2,26
	16.1.0	35	60	2,67291	0	0,94	1,23	1,7	1,98	0,75
	16.37.0	35	62	2,20044	0	1,23	1,32	1,6	1,98	1,51
	17.12.0	36	62	3,49531	0	1,04	1,32	1,89	2,08	0,38
	17.47.0	33	72	1,43236	0	0,94	0,94	1,79	1,98	1,32
	18.23.0	33	72	0,72518	0	0,85	1,13	1,7	1,98	1,6
	18.58.0	31	66	0,23953	0	0,85	1,23	1,51	1,89	1,6
	19.32.0	31	63	0,23953	0	0,94	1,23	1,6	1,89	1,7
	20.6.0	30	75	0	0	1,04	1,23	1,6	1,89	1,42
	20.41.0	30	85	0	0	0,94	1,32	1,51	1,98	0,47
	21.16.0	30	85	0	0	0,85	1,23	1,51	1,98	1,23
	21.51.0	30	90	0	0	0,85	1,23	1,79	1,89	0,66
	22.26.0	30	90	0	0	0,85	1,13	1,6	1,79	1,23
	23.1.0	29	92	0	0	0,94	1,23	1,6	1,89	1,98
	23.35.0	29	92	0	0	0,94	1,13	1,6	2,08	1,32
28/02/20	0.9.0	29	92	0	0	1,13	1,32	1,6	1,89	2,17
	0.45.0	29	95	0	0	0,94	1,13	1,51	1,89	1,32
	1.18.0	29	90	0	0	0,94	1,23	1,6	1,98	1,51
	1.53.0	28	92	0	0	1,04	1,13	1,6	1,98	1,6
	2.27.0	28	90	0	0	0,85	1,04	1,7	1,79	1,98
	3.3.0	28	81	0	0	1,04	1,23	1,7	1,89	1,32
	3.39.0	28	81	0	0	1,04	1,13	1,79	1,98	1,42
	4.15.0	28	76	0	0	1,04	1,32	1,7	2,08	0,85

DATA MONITORING ARUS BOCOR ISOLATOR										
Date	Time (Hour)	Temp. (°C)	Humidity (%)	UV mW/cm2	Rainfall mm/H	Type Insulators				
						Type A	Type B	Type C	Type D	Type E
	4.49.0	28	63	0	0	0,85	1,04	1,7	1,79	1,42
	5.22.0	28	60	0	0	0,85	1,13	1,7	2,08	0,94
	5.57.0	28	62	0	0	0,75	1,23	1,79	1,98	2,45
	6.31.0	28	62	0	0	0,85	1,13	1,7	2,08	1,42
	7.5.0	27	72	0,01318	0	1,13	1,32	1,6	2,17	1,23
	7.39.0	28	72	0,29517	0	1,13	1,42	1,89	2,17	1,42
	8.14.0	31	66	0,87701	0	0,85	1,13	1,6	2,08	1,23
	8.48.0	31	63	0,87701	0	0,94	1,13	1,89	1,89	1,32
	9.25.0	33	75	1,26589	0	0,94	1,32	1,79	2,08	2,08
	9.59.0	37	80	2,19414	0	1,04	1,32	1,79	2,08	1,13
	10.35.0	29	80	1,03499	0	0,94	1,42	1,7	1,98	1,23
	11.10.0	31	78	7,9959	1	1,32	1,42	1,7	1,79	1,13
	11.45.0	34	78	7,9959	0	1,04	1,42	1,6	1,98	1,23
	12.19.0	34	76	7,9959	0	0,94	1,04	1,42	1,98	1,32
	12.54.0	35	76	4,05461	1	1,13	1,51	1,51	1,98	1,89
	13.29.0	35	75	2,794	0	1,04	1,13	1,6	1,89	0,94
	14.3.0	35	70	2,794	0	0,85	1,13	1,89	1,79	1,98
	14.38.0	36	70	4,09165	0	1,23	1,51	1,7	1,89	1,23
	15.13.0	35	75	1,3489	0	1,04	1,42	1,79	1,98	1,7
	15.48.0	36	75	1,794	0	1,04	1,51	1,79	2,08	0,75
	16.22.0	34	75	1,09898	0	1,13	1,51	1,51	1,98	1,13
	16.57.0	34	74	1,09898	0	1,23	1,51	1,7	1,98	0,94
	17.31.0	33	74	1,18053	0	1,23	1,51	1,51	2,08	1,32
	18.5.0	33	78	1,18053	0	1,23	1,32	1,6	2,08	1,51
	18.40.0	34	80	0,60615	0	0,94	1,04	1,79	2,08	1,7
	19.16.0	34	80	0,60615	0	0,94	1,13	1,79	1,98	1,51
	19.51.0	32	82	0,03807	0	1,13	1,23	1,7	1,98	1,13
	20.26.0	30	82	0	0	0,85	1,23	1,79	1,89	1,6
	21.1.0	29	85	0	0	1,13	1,13	1,7	1,98	1,51
	21.36.0	29	85	0	0	1,04	1,13	1,7	1,7	2,08
	22.11.0	28	90	0	0	0,94	1,04	1,6	1,89	1,7
	22.46.0	29	90	0	0	0,94	1,13	1,6	1,98	1,13
	23.20.0	29	92	0	0	0,94	1,32	1,79	1,98	1,13
	23.55.0	28	92	0	0	1,04	1,13	1,79	1,98	1,42
29/02/20	0.31.0	28	92	0	0	0,94	1,13	1,7	2,08	1,6
	1.7.0	29	95	0	0	1,13	1,23	1,7	1,98	1,89
	1.42.0	29	95	0	0	0,94	1,42	1,79	1,89	1,98
	2.15.0	29	95	0	0	1,13	1,32	1,7	2,08	0,94
	2.50.0	29	95	0	0	1,13	1,32	1,6	1,98	2,55
	3.27.0	28	95	0	1	0,85	1,23	1,79	1,79	1,04

DATA MONITORING ARUS BOCOR ISOLATOR										
Date	Time (Hour)	Temp. (°C)	Humidity (%)	UV mW/cm2	Rainfall mm/H	Type Insulators				
						Type A	Type B	Type C	Type D	Type E
	4.3.0	28	95	0	1	1,23	1,42	1,79	1,79	1,79
	4.39.0	28	95	0	0	0,94	1,23	1,51	1,98	0,75
	5.14.0	28	90	0	0	1,04	1,23	1,7	1,89	0,94
	5.49.0	28	92	0	0	0,94	1,23	1,7	2,08	1,23
	6.26.0	28	90	0	0	0,85	1,04	1,51	1,89	1,04
	7.2.0	28	81	0,00673	0	0,94	1,04	1,7	1,98	2,45
	7.36.0	28	81	0,00673	0	1,04	1,23	1,79	1,98	1,79
	8.11.0	31	76	0,73104	0	1,23	1,23	1,79	1,89	0,94
	8.46.0	34	63	1,14773	0	0,85	1,04	1,7	1,98	1,7
	9.24.0	36	60	1,63587	0	0,94	1,23	1,79	1,98	0,75
	9.59.0	34	62	1,66325	0	1,04	1,32	1,51	1,98	0,94
	10.34.0	34	62	0,4265	0	1,04	1,13	1,7	1,98	1,42
	11.9.0	34	72	0,4265	0	0,94	1,23	1,51	1,89	1,32
	11.44.0	35	72	7,32255	0	0,94	1,13	1,79	1,98	0,75
	12.20.0	36	66	7,9959	0	1,13	1,23	1,79	1,89	1,23
	12.55.0	37	63	2,5817	0	0,85	1,23	1,6	2,08	2,45
	13.29.0	37	75	2,5817	0	0,94	1,04	1,6	2,17	1,6
	14.3.0	37	80	3,64319	0	1,04	1,04	1,6	2,08	1,23
	14.37.0	35	80	2,68712	0	1,23	1,32	1,89	1,98	1,89
	15.12.0	35	78	2,40703	0	1,23	1,42	1,79	2,08	1,98
	15.47.0	35	78	2,40703	0	1,42	1,51	1,79	1,98	1,13
	16.23.0	34	76	2,48258	15	1,23	1,51	1,79	1,98	1,23
	16.58.0	37	76	2,44363	0	0,85	1,13	1,89	2,08	1,13
	17.33.0	35	75	1,57687	0	0,85	1,13	1,6	2,08	1,51
	18.7.0	35	70	1,57687	0	0,85	1,04	1,42	2,08	1,6
	18.42.0	36	70	1,43045	0	0,94	1,13	1,98	2,08	1,23
	19.18.0	36	75	1,43045	0	1,32	1,51	1,6	2,17	0,75
	19.53.0	32	75	0,03895	0	1,13	1,32	1,79	1,98	1,23
	20.28.0	31	75	0	0	1,32	1,42	1,79	2,08	1,89
	21.3.0	31	74	0	0	1,13	1,42	1,7	1,98	1,13
	21.38.0	30	74	0	0	1,23	1,42	1,89	2,17	1,7
	22.12.0	30	78	0	0	1,23	1,32	1,79	2,17	1,6
	22.47.0	30	80	0	0	1,32	1,42	1,89	2,17	1,13
	23.22.0	30	80	0	0	1,23	1,51	1,89	2,08	0,75
	23.57.0	29	82	0	0	1,23	1,32	1,89	1,89	1,32
01/03/20	0.32.0	29	82	0	0	0,85	1,23	1,6	2,08	1,51
	1.7.0	29	85	0	0	0,85	1,23	1,6	2,08	1,23
	1.42.0	29	85	0	0	0,94	1,23	1,7	1,98	2,08
	2.18.0	29	90	0	0	0,94	1,23	1,51	1,98	0,47
	2.53.0	28	90	0	0	0,94	1,13	1,79	1,98	1,7

DATA MONITORING ARUS BOCOR ISOLATOR										
Date	Time (Hour)	Temp. (°C)	Humidity (%)	UV mW/cm2	Rainfall mm/H	Type Insulators				
						Type A	Type B	Type C	Type D	Type E
	3.28.0	28	92	0	0	0,94	1,13	1,32	1,98	1,04
	4.3.0	28	92	0	0	0,94	1,23	1,7	2,08	1,32
	4.38.0	28	92	0	0	0,85	1,13	1,79	1,98	1,7
	5.13.0	28	90	0	0	0,94	1,13	1,79	1,89	1,7
	5.48.0	28	92	0	0	0,85	1,23	1,7	1,89	1,32
	6.24.0	28	90	0	0	0,94	1,23	1,79	1,6	0,85
	6.59.0	28	81	0,0019	0	0,85	1,13	1,79	1,98	0,85
	7.34.0	28	81	0,22635	0	0,94	1,13	1,79	1,98	2,08
	8.8.0	28	76	0,22635	0	1,04	1,23	1,7	2,08	1,32
	8.43.0	31	63	0,82079	0	0,94	1,04	1,89	2,08	1,79
	9.19.0	31	60	0,82079	0	0,94	1,13	1,7	1,98	2,08
	9.54.0	33	62	1,14041	0	0,94	1,13	1,23	1,98	1,32
	10.28.0	38	62	2,30395	0	1,04	1,32	1,6	2,08	2,08
	11.2.0	38	72	2,30395	0	1,04	1,04	1,79	1,98	1,6
	11.36.0	37	72	2,88433	0	1,04	1,32	1,6	1,89	2,08
	12.12.0	35	66	0,94524	0	1,04	1,13	1,7	1,98	1,79
	12.48.0	35	63	0,94524	0	0,94	1,13	1,79	2,08	1,32
	13.21.0	38	75	2,95168	0	0,94	1,23	1,7	2,08	1,42
	13.56.0	36	80	2,48799	0	0,94	1,23	1,7	1,98	1,79
	14.31.0	36	80	3,8593	0	0,94	1,13	1,6	2,08	1,7
	15.5.0	35	78	1,71537	0	0,85	1,23	1,79	2,08	1,98
	15.39.0	35	78	1,71537	0	0,85	1,04	1,89	2,08	1,23
	16.13.0	34	76	1,22445	78	0,75	1,13	1,79	1,98	1,51
	16.49.0	36	76	1,62313	0	0,75	1,23	1,51	2,08	1,13
	17.26.0	36	75	1,62313	0	0,85	0,94	1,89	2,08	1,6
	18.1.0	35	70	0,99941	9	0,94	1,13	1,79	2,17	1,51
	18.36.0	34	70	0,67057	25	0,85	1,13	1,89	1,98	1,23
	19.12.0	32	75	0,06384	0	0,85	1,04	1,42	2,08	1,23
	19.48.0	32	75	0,06384	0	1,32	1,51	1,89	2,17	1,51
	20.22.0	31	75	0	0	0,85	1,04	1,6	2,08	1,32
	20.57.0	31	74	0	0	0,85	1,04	1,89	2,08	2,08
	21.32.0	31	74	0	0	0,85	1,04	1,89	1,98	1,32
	22.6.0	30	78	0	0	1,32	1,32	1,89	2,08	1,32
	22.41.0	30	80	0	0	1,23	1,51	1,79	2,08	1,7
	23.18.0	30	80	0	0	1,23	1,42	1,89	1,98	1,23
	23.53.0	30	82	0	9	1,42	1,51	1,7	2,08	1,89
02/03/20	0.29.0	30	82	0	9	1,13	1,32	1,89	2,17	1,13
	1.4.0	29	85	0	0	1,23	1,51	1,98	2,17	2,17
	1.39.0	29	85	0	0	1,23	1,51	1,89	2,17	2,17
	2.14.0	29	90	0	0	1,23	1,51	1,6	2,26	1,7

DATA MONITORING ARUS BOCOR ISOLATOR										
Date	Time (Hour)	Temp. (°C)	Humidity (%)	UV mW/cm2	Rainfall mm/H	Type Insulators				
						Type A	Type B	Type C	Type D	Type E
	2.49.0	29	90	0	0	0,94	1,04	1,79	1,79	2,08
	3.23.0	28	92	0	0	0,85	1,13	1,89	2,17	1,6
	3.58.0	28	92	0	0	0,75	1,04	1,6	2,08	1,98
	4.33.0	28	92	0	1	0,94	1,23	1,79	1,98	1,51
	5.7.0	28	90	0	0	0,57	1,13	1,6	2,08	1,42
	5.42.0	28	92	0	0	0,85	1,13	1,79	1,98	1,6
	6.16.0	28	90	0	0	1,13	1,23	1,32	1,98	0,38
	6.50.0	28	81	0	0	1,04	1,04	1,89	2,08	1,98
	7.24.0	28	81	0,12489	0	1,04	1,13	1,6	2,17	1,7
	7.59.0	28	76	0,12489	0	0,75	1,13	1,7	2,08	1,79
	8.35.0	31	63	0,71157	0	0,94	1,13	1,6	1,89	1,32
	9.10.0	32	60	1,17116	0	0,75	1,13	1,79	2,08	1,13
	9.44.0	32	62	1,17116	0	0,94	1,13	1,89	2,08	1,7
	10.18.0	34	62	1,31479	0	0,94	1,23	1,79	2,08	2,17
	10.52.0	37	72	2,86325	0	0,94	1,13	1,32	1,89	1,51
	11.27.0	37	72	1,93602	0	0,94	1,04	1,79	1,89	1,04
	12.1.0	39	66	1,94129	0	0,57	1,23	1,89	1,89	1,89
	12.37.0	39	63	1,94129	0	0,94	1,13	1,79	1,98	0,66
	13.12.0	40	75	4,1205	0	0,94	1,04	1,89	2,08	1,89
	13.47.0	40	80	4,1205	0	0,85	1,13	1,89	2,08	1,13
	14.23.0	39	80	2,29619	0	0,94	0,94	1,89	2,17	2,17
	14.57.0	39	78	2,29619	0	0,85	1,13	1,98	2,08	1,79
	15.32.0	40	78	7,9959	0	0,94	1,13	1,79	2,08	1,6
	16.9.0	39	76	7,9959	0	0,85	1,32	1,51	2,17	1,6
	16.43.0	39	76	7,9959	0	0,85	1,32	1,89	2,08	1,13
	17.54.0	34	75	1,35139	0	0,94	1,04	1,98	2,08	1,51
	18.28.0	34	70	0,58111	0	0,75	1,23	1,89	2,08	1,42
	19.2.0	33	70	0,11127	0	0,85	1,13	1,89	2,17	0,85
	19.38.0	32	75	0	0	0,85	1,13	1,89	2,17	1,98
	20.13.0	31	75	0	0	0,85	1,13	1,98	2,17	1,42
	20.48.0	31	75	0	0	0,75	1,13	1,98	2,17	1,6
	21.23.0	31	74	0	0	0,85	1,23	1,89	2,17	1,51
	21.58.0	31	74	0	0	0,85	1,13	1,7	2,17	1,89
	22.32.0	31	78	0	0	1,04	1,23	1,89	2,08	1,7
	23.6.0	30	80	0	0	0,75	1,13	1,98	2,17	1,6
	23.41.0	30	80	0	0	0,85	1,23	1,7	2,17	1,98
03/03/20	0.16.0	29	90	0	0	0,94	1,23	1,89	2,17	0,75
	0.51.0	29	92	0	0	0,85	0,94	1,98	2,17	2,08
	1.26.0	29	90	0	0	0,85	1,13	1,89	2,08	1,42
	2.1.0	29	81	0	0	0,94	1,23	1,7	1,98	2,08

DATA MONITORING ARUS BOCOR ISOLATOR										
Date	Time (Hour)	Temp. (°C)	Humidity (%)	UV mW/cm2	Rainfall mm/H	Type Insulators				
						Type A	Type B	Type C	Type D	Type E
	2.36.0	29	81	0	0	1,23	1,51	1,89	2,17	2,45
	3.11.0	28	76	0	2	0,85	1,04	1,79	2,17	1,42
	3.46.0	28	63	0	2	0,94	0,94	1,79	2,08	0,94
	4.22.0	28	60	0	0	1,04	1,13	1,89	2,17	1,6
	4.57.0	28	62	0	0	0,85	1,23	1,89	2,08	1,7
	5.33.0	28	62	0	0	0,85	1,04	1,89	2,17	1,89
	6.8.0	28	72	0	1	0,75	1,23	1,7	2,08	1,98
	6.43.0	27	72	0	0	0,85	1,23	1,89	2,08	1,89
	7.19.0	27	66	0,05168	0	1,13	1,32	1,79	1,98	1,42
	7.54.0	27	63	0,05168	0	0,94	1,13	1,7	1,98	0,75
	8.29.0	30	75	1,13411	0	0,94	1,13	1,51	1,98	2,08
	9.4.0	33	80	1,57687	0	0,94	1,13	1,7	1,89	1,7
	9.39.0	34	80	1,48697	0	0,94	1,13	1,7	1,98	1,79
	10.14.0	35	78	1,64319	0	0,94	1,23	1,51	2,08	1,7
	10.48.0	37	78	5,91406	0	1,04	1,13	1,6	1,98	1,79
	11.21.0	37	76	5,91406	0	1,04	1,23	1,51	2,08	1,98
	11.57.0	39	76	1,81537	0	0,94	1,23	1,79	1,98	0,94
	12.32.0	39	75	1,81537	0	0,85	1,32	1,89	2,17	1,51
	13.6.0	36	70	1,53192	0	0,75	1,04	1,7	1,98	0,38
	13.40.0	40	70	7,9959	0	1,04	1,32	1,89	1,98	1,42
	14.13.0	40	75	7,9959	0	0,66	1,13	1,89	1,98	1,7
	14.48.0	40	75	7,9959	0	0,66	1,13	1,98	2,08	1,13
	15.23.0	40	75	7,9959	0	0,75	1,13	1,89	2,08	1,89
	15.58.0	36	74	2,78814	0	0,85	1,13	1,98	2,17	1,79
	16.32.0	36	74	2,78814	0	0,85	1,04	1,89	2,17	0,85
	18.34.0	33	78	0,68565	0	0,94	1,13	1,79	2,08	1,98
	19.8.0	33	80	0,21567	0	0,94	1,23	1,98	2,17	0,66
	19.42.0	33	80	0,21567	0	0,94	1,23	1,98	2,08	1,32
	20.18.0	31	82	0	0	0,75	1,13	1,98	2,08	2,26
	20.52.0	31	82	0	0	0,94	1,13	1,6	2,17	1,51
	21.28.0	28	85	0	15	0,85	1,13	1,89	2,26	1,79
	22.2.0	29	85	0	2	0,85	1,13	1,89	2,17	2,45
	22.37.0	28	90	0	0	0,85	1,13	1,89	2,17	1,23
	23.12.0	28	90	0	0	0,85	1,13	1,89	2,26	2,45
	23.47.0	28	92	0	0	0,85	1,13	1,51	2,17	1,79
04/03/20	0.22.0	28	90	0	0	1,04	1,13	1,98	2,36	0,94
	0.56.0	28	92	0	4	0,94	1,13	1,79	2,08	1,51
	1.31.0	28	90	0	10	0,57	1,13	1,89	2,17	1,6
	2.6.0	28	81	0	0	0,85	1,04	1,79	2,17	1,98
	2.42.0	28	81	0	0	0,94	1,23	1,89	2,17	1,23

DATA MONITORING ARUS BOCOR ISOLATOR										
Date	Time (Hour)	Temp. (°C)	Humidity (%)	UV mW/cm2	Rainfall mm/H	Type Insulators				
						Type A	Type B	Type C	Type D	Type E
	3.18.0	28	76	0	0	0,94	1,23	1,42	1,89	1,13
	3.53.0	28	63	0	0	0,94	1,04	1,51	2,08	1,32
	4.28.0	27	60	0	0	1,13	1,23	1,79	2,08	0,66
	5.3.0	27	62	0	0	1,13	1,13	1,79	2,17	1,98
	5.37.0	28	62	0	0	0,75	1,23	1,79	2,17	2,17
	6.12.0	27	72	0	8	1,13	1,23	1,89	2,17	2,45
	6.47.0	28	72	0	1	1,04	1,04	1,79	2,17	2,17
	7.22.0	28	66	0,07306	0	1,04	1,23	1,79	1,98	2,17
	7.56.0	28	63	0,07306	0	0,94	1,23	1,6	1,98	1,79
	8.31.0	29	75	0,73294	0	0,94	1,13	1,7	1,98	1,7
	9.6.0	31	80	0,95212	0	1,13	1,23	1,7	1,89	1,7
	9.41.0	32	80	1,54261	0	0,94	1,13	1,79	1,89	1,89
	10.15.0	32	78	1,54261	0	0,85	1,13	1,79	1,98	1,6
	10.49.0	38	78	6,22152	0	0,94	1,13	1,89	1,89	2,08
	11.23.0	38	76	1,20688	0	0,94	1,23	1,79	2,08	2,08
	11.58.0	37	76	7,53777	0	1,04	1,13	1,79	2,08	1,23
	12.33.0	36	75	2,72518	0	0,85	1,23	1,89	1,98	1,7
	13.8.0	36	70	2,72518	0	0,94	1,23	1,89	2,08	1,79
	14.8.0	30	70	2,29473	5	0,66	1,23	1,98	2,26	2,36
	14.42.0	31	75	2,24056	0	0,94	1,13	1,89	1,98	0,75
	15.18.0	31	75	1,38551	0	0,94	0,94	1,79	2,08	1,79
	15.53.0	32	75	1,60952	0	1,04	1,13	1,79	2,08	1,23
	16.26.0	32	74	1,60952	0	0,94	1,23	1,79	2,08	2,08
	17.1.0	28	74	0,48214	8	1,04	1,13	1,32	2,08	1,51
	17.35.0	28	78	0,48214	8	0,94	1,13	1,89	1,7	1,32
	18.9.0	29	80	0,38653	2	1,13	1,23	1,79	2,08	1,89
	18.43.0	28	80	0,24978	1	0,94	1,23	1,89	1,98	2,36
	19.18.0	28	82	0,01215	0	0,38	1,04	1,7	1,79	1,7
	19.53.0	27	82	0	0	0,85	1,04	1,7	1,89	1,23
	20.29.0	28	85	0	0	0,85	1,04	1,7	1,98	1,98
	21.3.0	28	85	0	0	0,94	1,23	1,79	1,89	1,42
	21.39.0	28	90	0	0	0,94	1,13	1,7	1,89	1,6
	22.12.0	28	90	0	0	0,57	1,13	1,7	1,79	1,6
	22.47.0	28	92	0	0	0,85	1,23	1,32	1,89	2,45
	23.24.0	28	92	0	0	0,94	1,32	1,6	1,98	1,98
	23.58.0	28	92	0	0	1,04	1,23	1,7	1,89	1,6
05/03/20	0.33.0	28	90	0	0	1,04	1,13	1,7	1,89	0,85
	1.8.0	27	92	0	0	1,04	1,23	1,6	1,98	1,42
	1.42.0	27	90	0	0	0,85	1,23	1,79	1,98	1,79
	2.17.0	27	81	0	0	0,94	1,13	1,7	1,98	1,79

DATA MONITORING ARUS BOCOR ISOLATOR										
Date	Time (Hour)	Temp. (°C)	Humidity (%)	UV mW/cm2	Rainfall mm/H	Type Insulators				
						Type A	Type B	Type C	Type D	Type E
	2.52.0	27	81	0	0	0,85	1,23	1,7	1,98	2,08
	3.26.0	27	76	0	0	1,04	0,94	1,79	1,89	2,36
	4.1.0	27	63	0	0	0,94	1,23	1,7	1,98	1,7
	4.35.0	27	60	0	0	0,94	1,04	1,51	2,08	1,7
	5.10.0	27	62	0	0	0,94	1,23	1,7	1,98	1,23
	5.45.0	27	62	0	0	0,94	1,32	1,42	1,98	2,26
	6.19.0	27	72	0	0	0,94	1,23	1,89	1,98	2,36
	6.54.0	27	72	0	0	0,94	1,13	1,79	1,89	1,6
	7.29.0	28	66	0,06237	0	0,94	1,04	1,79	1,98	1,51
	8.4.0	28	63	0,06237	0	0,94	1,13	1,89	2,08	2,08
	8.38.0	30	75	0,87262	0	0,85	1,23	1,79	1,98	1,89
	9.13.0	31	80	1,49927	0	0,94	1,13	1,7	1,98	1,42
	9.48.0	31	80	1,49927	0	1,13	1,23	1,79	1,89	1,6
	10.22.0	32	78	1,96281	0	0,85	1,13	1,51	1,98	1,79
	10.56.0	32	78	1,96281	0	0,94	1,23	1,7	1,98	2,08
	11.36.37	35	76	3,40205	0	1,13	1,51	1,79	2,17	2,45
	12.10.0	35	76	3,37335	0	0,85	1,13	1,7	1,98	1,89
	12.44.0	33	75	1,04963	1	0,85	1,13	1,79	1,98	1,98
	13.21.0	33	70	1,04963	1	0,75	1,23	1,7	1,98	1,32
	13.55.0	30	70	1,04334	12	0,85	1,23	1,7	1,98	1,98
	14.30.0	35	75	3,347	0	0,85	1,13	1,79	1,89	1,89
	15.4.0	31	75	0,27657	0	1,04	1,23	1,89	2,08	2,36
	15.40.0	31	75	0,27657	0	0,94	1,13	1,6	2,08	2,36
	16.17.0	28	74	0,44012	3	0,85	1,04	1,79	1,98	2,45
	16.53.0	28	74	0,44012	3	0,94	1,04	1,7	1,89	1,51
	17.29.0	28	78	0,0653	14	0,85	1,23	1,79	2,08	1,98
	18.4.0	28	80	0,28243	1	0,94	1,23	1,79	2,08	2,08
	18.38.0	28	80	0,28243	1	1,13	1,13	1,79	1,98	1,6
	19.14.0	28	82	0,09707	0	0,94	1,13	1,79	1,89	2,55
	19.48.0	28	82	0	0	0,75	1,23	1,42	1,89	2,26
	20.25.0	28	85	0	2	0,85	1,04	1,7	2,17	2,36
	21.1.0	27	85	0	0	1,13	1,23	1,7	1,98	2,26
	21.36.0	27	90	0	0	1,04	1,23	1,79	1,98	2,45
	22.10.0	27	90	0	3	1,13	1,04	1,89	2,08	2,45
	22.45.0	27	92	0	3	0,94	1,23	1,6	2,08	1,98
	23.22.0	27	92	0	3	0,85	1,23	1,79	2,08	1,98
	23.56.0	27	92	0	3	1,04	1,13	1,79	2,08	2,17
06/03/20	0.31.0	27	95	0	34	1,13	1,23	1,79	2,08	2,08
	1.5.0	27	95	0	34	0,94	1,23	1,79	1,98	1,32
	1.40.0	27	95	0	25	1,04	1,23	1,7	1,6	2,55

DATA MONITORING ARUS BOCOR ISOLATOR										
Date	Time (Hour)	Temp. (°C)	Humidity (%)	UV mW/cm2	Rainfall mm/H	Type Insulators				
						Type A	Type B	Type C	Type D	Type E
	2.15.0	26	95	0	24	1,04	1,04	1,6	1,98	1,79
	2.50.0	27	95	0	36	0,94	1,13	1,79	2,08	1,98
	3.25.0	26	90	0	8	0,94	1,13	1,79	2,17	2,08
	4.0.0	26	92	0	8	0,94	1,13	1,89	2,08	2,55
	4.35.0	26	90	0	19	0,85	1,23	1,89	2,08	2,08
	5.10.0	26	81	0	2	1,13	1,13	1,79	2,17	1,89
	5.45.0	26	81	0	3	1,13	1,23	1,89	2,17	2,45
	6.19.0	26	76	0	0	1,04	1,32	1,79	2,08	1,23
	6.54.0	26	63	0	0	0,85	1,13	1,7	1,98	2,08
	7.28.0	26	60	0,01215	13	0,94	1,23	1,79	2,08	1,13
	8.3.0	26	62	0,01215	13	0,94	1,13	1,89	2,08	1,98
	8.38.0	26	62	0,04919	5	1,04	1,23	1,79	2,08	1,79
	9.13.0	26	72	0,09458	4	1,23	1,04	1,79	2,08	2,55
	9.48.0	27	72	0,29766	2	1,04	1,13	1,42	2,08	1,79
	10.23.0	27	66	0,6817	2	1,23	1,23	1,79	2,08	2,36
	10.59.0	27	63	0,6817	2	1,04	1,13	1,79	2,17	2,45
	11.34.0	30	75	1,74466	0	1,04	1,13	1,7	2,17	2,08
	12.8.0	30	80	1,74466	0	1,13	1,32	1,79	2,17	1,98
	12.42.0	29	80	2,83397	1	1,13	1,23	1,89	2,08	2,45
	13.16.0	35	78	3,10249	0	0,94	1,23	1,79	2,08	2,36
	13.51.0	38	78	3,74612	0	1,04	1,13	1,89	1,89	2,17
	14.26.0	39	76	3,38214	0	1,13	1,13	1,79	2,08	1,79
	15.1.0	31	76	2,16881	0	0,94	1,13	1,6	1,89	2,08
	15.35.0	31	75	2,16881	0	0,85	1,13	1,79	2,08	1,98
	16.10.0	32	70	2,96969	0	1,04	1,23	1,7	2,08	1,79
	16.44.0	31	70	1,13411	0	1,13	1,32	1,6	1,98	2,08
	17.20.0	28	75	0,92182	11	1,04	1,04	1,7	1,98	2,08
	17.55.0	27	75	0,25271	1	0,85	1,23	1,89	1,98	2,55
	18.30.0	27	75	0,25271	1	1,04	1,04	1,79	2,08	2,45
	19.6.0	26	74	0,0082	8	0,94	1,04	1,89	2,17	1,89
	19.42.0	26	74	0,0082	8	0,94	1,13	1,89	1,98	2,45
	20.20.0	26	78	0	2	0,94	1,04	1,79	1,98	2,17
	20.55.0	26	80	0	0	0,75	1,13	1,89	2,08	2,26
	21.31.0	26	80	0	0	1,04	1,23	1,7	2,08	2,36
	22.6.0	26	82	0	0	0,94	1,23	1,79	1,98	2,36
	22.41.0	26	82	0	0	0,94	1,32	1,89	2,17	2,36
	23.18.0	27	85	0	0	1,04	1,23	1,89	1,98	1,7
	23.54.0	27	85	0	0	1,04	1,32	1,89	1,98	1,98
07/03/20	0.29.0	27	90	0	0	0,94	1,23	1,89	2,08	2,08
	1.4.0	27	90	0	0	1,13	1,42	1,89	1,98	2,08

DATA MONITORING ARUS BOCOR ISOLATOR										
Date	Time (Hour)	Temp. (°C)	Humidity (%)	UV mW/cm2	Rainfall mm/H	Type Insulators				
						Type A	Type B	Type C	Type D	Type E
	1.39.0	27	92	0	0	0,94	1,13	1,89	2,08	2,17
	2.14.0	26	92	0	0	0,94	1,23	1,7	1,98	2,36
	2.49.0	26	92	0	0	1,23	1,32	1,89	1,98	2,36
	3.24.0	26	90	0	0	1,04	1,42	1,79	2,08	2,55
	3.59.0	27	92	0	0	0,94	1,23	1,79	1,98	2,55
	4.34.0	27	90	0	0	0,94	1,23	1,89	2,08	2,17
	5.9.0	26	81	0	0	1,04	1,23	1,79	2,08	2,08
	5.44.0	26	81	0	0	1,04	1,32	1,79	1,98	2,36
	6.19.0	26	76	0	0	1,04	1,13	1,79	1,98	2,45
	6.54.0	26	63	0	0	0,85	1,13	1,79	2,08	2,17
	7.29.0	27	60	0,1429	0	0,85	1,23	1,42	1,89	2,36
	8.4.0	28	62	0,5104	0	0,94	1,13	1,79	2,08	2,45
	8.39.0	28	62	0,5104	0	0,85	1,13	1,79	1,98	1,6
	9.14.0	29	72	1,12577	0	1,04	1,23	1,6	2,08	2,08
	9.49.0	31	72	1,92328	0	0,94	1,04	1,79	2,08	2,55
	10.23.0	34	66	2,64612	0	1,13	1,13	1,79	2,08	2,55
	10.58.0	34	63	2,64612	0	0,85	1,32	1,7	2,08	2,36
	11.33.0	39	75	6,19663	0	1,04	1,32	1,79	2,08	2,45
	12.7.0	39	80	7,31083	0	0,94	1,04	1,89	2,17	2,08
	12.43.0	39	80	7,31083	0	0,85	1,23	1,7	2,08	1,98
	13.20.0	37	78	2,72269	0	0,85	1,23	1,7	1,98	2,45
	13.55.0	39	78	2,92138	0	0,94	1,23	1,79	1,89	1,6
	14.31.0	35	76	4,13163	0	0,85	1,13	1,7	1,89	1,89
	15.5.0	35	76	4,13163	0	0,94	1,04	1,79	2,08	2,45
	15.40.0	35	75	2,4694	0	0,94	1,13	1,7	1,98	2,08
	16.13.0	32	70	0,57189	0	0,85	1,13	1,79	1,98	2,45
	16.49.0	32	70	0,57189	0	0,94	1,13	1,79	1,89	2,45
	17.24.0	30	75	2,11991	0	0,94	1,13	1,6	2,08	1,98
	17.58.0	34	75	1,0243	0	0,94	1,13	1,6	1,98	1,79
	18.33.0	34	75	1,0243	0	0,85	1,23	1,7	1,98	2,08
	19.7.0	30	74	0,05842	0	0,57	1,23	1,79	1,79	2,36
	19.42.0	30	74	0,05842	0	1,04	1,32	1,89	1,89	1,98
	20.18.0	28	78	0	0	0,94	1,32	1,7	1,98	2,55
	20.53.0	28	80	0	0	0,85	1,23	1,7	1,98	1,98
	21.27.0	28	80	0	0	0,94	1,13	1,79	1,89	2,64
	22.2.0	28	82	0	0	1,13	1,13	1,79	1,98	1,32
	22.37.0	27	82	0	0	1,04	1,23	1,7	1,98	1,7
	23.13.0	27	85	0	0	0,85	1,13	1,79	1,89	1,6
	23.49.0	27	85	0	1	1,13	1,23	1,89	2,08	2,08
08/03/20	0.25.0	27	90	0	0	1,04	1,32	1,79	1,98	2,45

DATA MONITORING ARUS BOCOR ISOLATOR										
Date	Time (Hour)	Temp. (°C)	Humidity (%)	UV mW/cm2	Rainfall mm/H	Type Insulators				
						Type A	Type B	Type C	Type D	Type E
	1.0.0	27	90	0	0	0,85	1,13	1,7	2,08	2,17
	1.36.0	27	92	0	0	0,94	1,13	1,79	1,98	1,98
	2.11.0	27	92	0	0	0,94	1,04	1,7	2,17	2,45
	2.46.0	27	92	0	0	0,85	1,23	1,79	2,08	1,32
	3.21.0	27	95	0	0	0,94	1,13	1,89	2,17	1,89
	3.56.0	27	95	0	0	1,04	1,04	1,79	2,08	2,45
	4.31.0	27	95	0	0	1,04	1,23	1,89	1,98	2,17
	5.5.0	27	95	0	0	0,94	1,23	1,89	1,98	2,08
	5.40.0	27	90	0	0	1,04	1,13	1,79	1,98	1,89
	6.14.0	27	92	0	0	0,94	1,13	1,7	2,08	2,26
	6.49.0	27	90	0	0	0,85	1,13	1,98	2,08	2,26
	7.24.0	27	81	0	0	0,85	1,32	1,89	2,08	2,55
	7.59.0	27	81	0,15271	0	0,94	1,04	1,79	1,98	2,45
	8.34.0	28	76	0,8243	0	0,94	1,04	1,89	2,08	2,45
	9.9.0	33	63	1,89107	0	0,94	1,04	1,79	2,08	1,98
	9.44.0	33	60	1,89107	0	0,94	1,23	1,79	2,08	1,51
	10.19.0	35	62	2,60556	0	0,85	1,13	1,79	1,98	2,45
	10.54.0	36	62	2,81933	0	0,75	1,04	1,98	1,98	2,17
	11.27.0	35	72	3,56852	0	0,85	1,23	1,7	1,98	1,98
	12.3.0	35	72	3,56852	0	0,94	1,13	1,7	1,89	1,79
	12.37.0	36	66	1,57101	0	0,85	1,13	1,89	1,98	2,45
	13.13.0	34	63	2,00571	0	0,85	1,23	1,79	1,89	2,45
	13.49.0	34	75	2,00571	0	0,94	1,13	1,79	1,98	2,17
	14.22.0	34	80	1,85549	0	0,75	1,13	1,7	1,89	1,89
	14.56.0	31	80	4,50556	0	0,75	1,23	1,6	1,89	2,36
	15.31.0	31	78	4,50556	0	0,85	1,23	1,79	1,98	1,6
	16.6.0	32	78	2,62313	0	0,85	1,23	1,7	1,89	1,89
	16.41.0	32	76	2,42987	0	1,04	1,23	1,79	1,98	1,79
	17.18.0	33	76	1,38067	0	1,04	0,94	1,79	1,89	2,55
	17.53.0	33	75	1,38067	0	0,85	1,13	1,7	1,98	2,08
	18.29.0	30	70	0,43968	0	0,94	1,13	1,6	2,08	1,89
	19.3.0	30	70	0,43968	0	0,94	1,23	1,79	1,89	1,6
	19.39.0	29	75	0	0	0,94	1,13	1,7	1,89	1,32
	20.12.0	29	75	0	0	0,66	1,13	1,79	1,98	1,51
	20.46.0	29	75	0	0	1,04	1,13	1,6	1,7	2,45
	21.19.0	28	74	0	0	0,94	1,32	1,7	2,08	1,98
	21.55.0	28	74	0	0	0,94	1,13	1,7	2,08	2,26
	22.31.0	28	78	0	0	1,04	1,23	1,79	1,89	2,08
	23.7.0	28	80	0	0	1,04	1,13	1,79	1,89	1,79
	23.42.0	28	80	0	0	1,13	1,13	1,7	1,98	2,36

DATA MONITORING ARUS BOCOR ISOLATOR										
Date	Time (Hour)	Temp. (°C)	Humidity (%)	UV mW/cm2	Rainfall mm/H	Type Insulators				
						Type A	Type B	Type C	Type D	Type E
09/03/20	0.17.0	28	82	0	0	1,04	1,23	1,79	1,79	2,45
	0.52.0	28	82	0	0	1,04	1,23	1,89	1,89	2,36
	1.27.0	28	85	0	0	0,94	1,23	1,7	1,89	2,45
	2.2.0	28	85	0	0	1,04	1,13	1,89	1,89	1,7
	2.36.0	28	90	0	0	0,94	1,23	1,7	1,98	1,23
	3.11.0	28	90	0	0	1,13	1,23	1,7	1,98	2,55
	3.46.0	28	92	0	0	1,23	1,23	1,89	1,98	2,08
	4.20.0	28	92	0	0	0,85	1,13	1,89	1,98	2,17
	4.55.0	27	92	0	0	0,85	1,13	1,79	2,08	1,98
	5.30.0	27	90	0	0	1,04	1,13	1,89	1,98	1,89
	6.5.0	27	92	0	0	1,04	1,23	1,89	2,08	1,6
	6.40.0	27	90	0	0	0,94	1,13	1,79	2,08	2,08
	7.15.0	27	81	0,04773	0	1,04	1,13	1,79	2,17	2,45
	7.50.0	27	81	0,04773	0	0,94	0,94	1,79	2,17	2,45
	8.25.0	28	76	0,40556	0	1,04	1,23	1,7	1,89	2,55
	9.0.0	30	63	0,76428	0	0,94	1,13	1,7	1,98	1,79
	9.35.0	34	60	1,74568	0	0,94	1,23	1,89	1,98	2,55
	10.10.0	34	62	1,74568	0	0,94	1,23	1,79	1,98	1,98
	10.45.0	37	62	4,15798	0	0,94	1,32	1,79	2,08	1,7
	11.19.0	37	72	4,15798	0	1,04	1,32	1,7	1,98	2,26
	11.55.0	40	72	7,9959	0	0,94	1,23	1,7	2,08	1,6
	12.29.0	38	66	3,79839	0	0,94	1,13	1,89	1,89	1,89
	13.3.0	38	63	4,51772	0	0,94	1,13	1,7	1,98	2,08
	13.39.0	38	75	4,51772	0	0,94	1,32	1,7	1,89	1,6
	14.14.0	39	80	7,18785	0	0,94	1,13	1,7	1,98	2,08
	14.50.0	39	80	7,18785	0	0,94	1,13	1,7	1,98	1,6
	15.26.0	36	78	4,606	0	0,85	1,23	1,89	2,17	1,6
	16.1.0	38	78	7,9959	0	0,85	1,13	1,79	1,98	2,64
	16.35.0	38	76	7,9959	0	0,85	1,23	1,79	1,98	2,36
	17.10.0	44	76	7,9959	0	0,94	1,13	1,89	2,08	2,08
	17.44.0	42	75	4,71786	0	0,85	1,13	1,89	1,98	1,98
	18.17.0	42	70	4,71786	0	0,75	1,04	1,89	1,98	1,23
	18.52.0	42	70	3,10044	0	0,94	1,04	1,79	1,98	1,98
	19.26.0	38	75	0,98038	0	0,85	1,13	1,7	1,98	1,98
20.1.0	32	75	0	0	1,04	1,13	1,89	2,17	2,55	
20.35.0	31	75	0	0	0,85	1,13	1,79	1,98	2,45	
21.9.0	31	74	0	0	0,94	1,13	1,89	1,98	1,6	
21.43.0	31	74	0	0	0,75	1,13	1,51	2,08	1,42	
22.20.0	30	78	0	0	0,94	1,23	1,79	2,08	1,7	
22.56.0	30	80	0	0	0,75	1,13	1,89	2,08	1,7	

DATA MONITORING ARUS BOCOR ISOLATOR										
Date	Time (Hour)	Temp. (°C)	Humidity (%)	UV mW/cm2	Rainfall mm/H	Type Insulators				
						Type A	Type B	Type C	Type D	Type E
10/03/20	23.30.0	30	80	0	0	0,94	1,13	1,7	2,08	1,98
	0.4.0	29	90	0	0	0,85	1,13	1,7	1,98	1,98
	0.39.0	29	92	0	0	0,94	1,13	1,79	2,08	1,42
	1.15.0	27	90	0	2	0,85	1,13	1,89	1,98	1,79
	1.50.0	27	81	0	0	1,13	1,23	1,79	1,89	1,98
	2.24.0	27	81	0	0	0,94	1,04	1,51	1,98	1,98
	3.0.0	27	76	0	0	0,94	1,13	1,79	2,08	1,6
	3.36.0	27	63	0	0	0,94	1,23	1,7	1,98	2,17
	4.12.0	27	60	0	0	1,04	1,13	1,7	2,08	2,45
	4.47.0	27	62	0	0	0,94	1,23	1,6	1,89	1,79
	5.22.0	27	62	0	0	1,13	1,23	1,6	2,08	1,7
	5.57.0	27	72	0	0	0,94	1,23	1,79	1,89	1,13
	6.32.0	27	72	0	0	0,94	1,13	1,7	1,98	2,08
	7.8.0	27	66	0,01742	0	1,04	1,04	1,7	1,89	2,36
	7.43.0	27	63	0,01742	0	1,04	1,23	1,7	1,98	2,26
	8.16.0	28	75	0,28785	0	1,04	1,04	1,89	1,98	2,08
	8.50.0	32	80	0,78272	0	0,94	1,23	1,7	1,89	1,23
	9.23.0	33	80	1,4284	0	0,94	1,04	1,79	1,89	1,6
	9.57.0	33	78	1,4284	0	1,13	1,32	1,7	1,98	2,45
	10.32.0	35	78	1,83294	0	1,13	1,23	1,79	1,89	1,23
	11.7.0	36	76	4,01113	0	0,85	1,23	1,7	1,89	1,79
	11.42.0	38	76	4,92094	0	0,85	1,13	1,7	1,98	1,23
	12.17.0	38	75	4,92094	0	0,85	1,13	1,79	1,89	1,98
	12.52.0	40	70	4,4284	0	1,13	1,23	1,6	1,89	2,45
	13.27.0	40	70	5,57291	0	1,04	1,23	1,7	1,98	1,51
	14.2.0	37	75	4,93016	0	0,75	1,04	1,7	1,98	1,79
	14.37.0	37	75	4,93016	0	0,94	1,13	1,7	1,98	2,64
	15.12.0	36	75	2,83104	0	0,94	1,13	1,6	1,98	2,36
	15.47.0	36	74	2,83104	0	1,04	1,13	1,79	1,89	2,08
	16.22.0	38	74	3,54758	0	1,04	1,13	1,79	1,98	2,08
	16.57.0	38	78	7,9959	0	0,94	1,23	1,79	1,89	1,42
	17.32.0	43	80	7,65871	0	0,75	1,23	1,6	1,89	2,17
	18.7.0	36	80	0,97599	0	0,85	1,13	1,79	2,08	2,55
	18.42.0	34	82	0,64758	0	0,94	1,13	1,79	1,98	2,55
	19.17.0	34	82	0,64758	0	1,04	1,23	1,7	1,7	2,26
	19.52.0	32	85	0	0	0,94	1,13	1,79	1,89	1,79
	20.27.0	32	85	0	0	0,94	1,13	1,7	1,98	2,45
	21.2.0	32	90	0	0	0,94	1,13	1,6	1,98	2,64
	21.37.0	31	90	0	0	1,04	1,32	1,7	1,98	2,64
	22.11.0	31	92	0	0	0,94	1,23	1,6	1,89	2,45

DATA MONITORING ARUS BOCOR ISOLATOR										
Date	Time (Hour)	Temp. (°C)	Humidity (%)	UV mW/cm2	Rainfall mm/H	Type Insulators				
						Type A	Type B	Type C	Type D	Type E
	22.46.0	31	92	0	0	1,04	1,23	1,7	1,89	1,79
	23.21.0	30	92	0	0	0,94	1,13	1,79	1,89	2,55
	23.56.0	30	95	0	0	0,94	1,13	1,6	1,89	1,79
11/03/20	0.31.0	30	95	0	0	0,85	1,32	1,79	1,7	2,55
	1.7.0	30	95	0	0	0,94	1,23	1,79	1,98	2,64
	1.43.0	29	90	0	0	1,13	1,13	1,79	2,08	2,45
	2.16.0	29	92	0	0	1,04	1,42	1,79	2,08	2,45
	2.50.0	29	90	0	0	1,04	1,23	1,7	1,98	1,79
	3.23.0	29	81	0	0	0,94	1,13	1,51	1,98	1,89
	3.57.0	29	81	0	0	1,04	1,04	1,6	2,08	2,55
	4.31.0	28	76	0	0	0,85	1,23	1,7	1,98	2,26
	5.7.0	28	63	0	0	0,94	1,13	1,79	1,98	2,08
	5.41.0	28	60	0	0	0,94	1,04	1,79	1,98	2,26
	6.15.0	28	62	0	0	0,94	1,04	1,89	2,17	2,17
	6.50.0	28	62	0	0	0,94	1,23	1,89	1,98	2,36
	7.24.0	28	72	0,10542	0	1,04	1,13	1,79	2,08	1,42
	8.0.0	28	72	0,10542	0	0,94	1,23	1,89	2,08	2,74
	8.35.0	31	66	0,45286	0	0,94	1,13	1,79	1,98	2,74
	9.10.0	32	63	0,56501	0	0,85	1,13	1,79	2,08	1,98
	9.44.0	32	75	0,56501	0	0,94	1,13	1,79	2,08	2,64
	10.19.0	34	80	0,65886	0	0,94	1,23	1,79	2,08	1,89
	10.54.0	35	80	0,71537	0	0,94	1,13	1,79	2,08	2,45
	11.29.0	37	78	6,02723	0	1,04	1,23	1,79	2,08	2,55
	11.40.24	41	78	7,9959	0	0,94	1,13	1,51	2,17	2,45
	12.14.0	41	76	7,9959	0	0,85	1,13	1,79	2,08	1,79
	12.49.0	40	76	2,16823	0	0,94	1,04	1,79	1,98	2,64
	13.24.0	40	75	2,16823	0	0,94	1,04	1,79	1,79	2,74
	13.59.0	39	70	2,28785	0	1,04	1,13	1,7	1,89	2,36
	14.2.3	39	70	2,00673	0	0,94	1,23	1,7	1,98	2,74
	14.37.0	39	75	2,00673	0	1,04	1,13	1,7	1,98	2,55
	15.11.0	42	75	3,11903	0	0,75	1,13	1,79	1,98	2,64
	15.46.0	42	75	7,95154	0	1,04	1,32	1,79	1,89	2,74
	16.21.0	42	74	7,95154	0	0,85	1,23	1,79	1,98	2,74
	16.56.0	39	74	3,08287	0	1,04	1,13	1,7	1,89	2,17
	17.31.0	34	78	0,69546	0	1,04	1,23	1,6	2,08	1,98
	18.6.0	34	80	0,67584	0	1,04	1,04	1,89	2,08	1,7
18.41.0	34	80	0,35578	0	1,04	1,04	1,89	2,08	1,6	
19.16.0	34	82	0,35578	0	0,94	1,23	1,89	1,98	2,26	
19.51.0	32	82	0	0	0,85	1,32	1,79	2,17	2,55	
20.26.0	32	85	0	0	0,94	1,13	1,89	2,08	2,08	

DATA MONITORING ARUS BOCOR ISOLATOR										
Date	Time (Hour)	Temp. (°C)	Humidity (%)	UV mW/cm2	Rainfall mm/H	Type Insulators				
						Type A	Type B	Type C	Type D	Type E
	21.1.0	31	85	0	0	0,94	1,13	1,89	2,08	1,98
	21.36.0	31	90	0	0	0,85	1,23	1,89	2,17	2,64
	22.11.0	31	90	0	0	0,94	1,13	1,89	2,17	2,26
	22.46.0	31	92	0	0	1,04	1,32	1,89	2,08	2,08
	23.21.0	31	92	0	0	1,04	1,42	1,89	2,08	1,7
	23.56.0	30	92	0	0	1,13	1,51	1,89	1,98	1,79
	12/03/20	0.30.0	30	95	0	0	0,85	1,13	1,89	2,17
12/03/20	1.5.0	30	95	0	0	0,94	1,04	1,6	2,08	1,42
	1.40.0	30	95	0	0	0,94	1,13	1,89	2,17	2,55
	2.17.0	29	95	0	0	0,85	1,23	1,79	1,98	1,79
	2.51.0	29	95	0	0	1,13	1,13	1,79	1,98	1,98
	3.24.0	29	90	0	0	1,13	1,23	1,89	2,17	1,79
	3.59.0	29	92	0	0	0,85	1,23	1,7	1,98	1,89
	4.33.0	29	90	0	0	1,04	1,32	1,89	1,98	2,17
	5.7.0	28	81	0	0	1,04	1,13	1,51	1,89	1,98
	5.43.0	28	81	0	0	0,85	1,04	1,79	2,08	1,98
	6.16.0	28	76	0	0	0,94	1,23	1,7	2,08	2,55
	6.50.0	28	63	0	0	0,94	1,23	1,6	1,98	2,08
	7.25.0	28	60	0,18155	0	1,04	1,13	1,79	1,98	1,6
	7.59.0	28	62	0,18155	0	0,94	1,13	1,79	2,08	2,74
	8.35.0	31	62	0,48594	0	0,94	1,23	1,6	1,89	2,26
	9.10.0	32	72	0,58258	0	1,23	1,04	1,7	1,89	2,55
	9.44.0	34	72	0,67057	0	0,85	1,13	1,7	1,98	2,74
	10.19.0	35	66	0,76955	0	0,94	1,13	1,79	1,98	1,7
	10.54.0	37	63	6,48799	0	1,04	1,23	1,51	1,89	2,17
	11.29.0	37	75	6,48799	0	1,04	1,13	1,79	1,89	2,08
	12.4.0	39	80	7,85344	0	1,04	1,23	1,7	1,89	2,08
	12.39.0	41	80	7,9959	0	1,04	1,23	1,79	2,08	2,36
	13.14.0	42	78	1,84861	0	0,94	1,13	1,79	1,98	1,89
	13.49.0	38	78	7,9959	0	0,94	1,04	1,89	2,08	2,26
	14.24.0	40	76	7,9959	0	0,85	1,04	1,89	2,17	1,6
	14.59.0	39	76	4,20922	0	0,94	1,13	1,79	2,08	1,89
	15.34.0	34	75	0,57438	0	0,94	1,23	1,51	2,08	1,6
	16.9.0	34	70	0,57438	0	0,85	1,13	1,89	2,08	1,79
	16.44.0	33	70	0,45432	0	1,04	1,13	1,98	2,17	1,6
	17.19.0	33	75	0,7896	0	0,94	1,13	1,89	1,98	1,89
	17.54.0	33	75	0,8287	0	0,94	1,13	1,51	2,08	1,7
18.29.0	34	75	0,53631	0	0,94	1,23	1,42	2,08	2,64	
19.4.0	33	74	0,1287	0	0,94	1,13	1,89	2,17	2,08	
19.39.0	32	74	0	0	0,94	1,23	1,89	2,08	1,6	

DATA MONITORING ARUS BOCOR ISOLATOR										
Date	Time (Hour)	Temp. (°C)	Humidity (%)	UV mW/cm2	Rainfall mm/H	Type Insulators				
						Type A	Type B	Type C	Type D	Type E
	20.14.0	32	78	0	0	0,85	1,23	1,79	2,08	2,74
	20.49.0	31	80	0	0	0,85	1,13	1,89	2,08	1,89
	21.24.0	31	80	0	0	0,94	1,13	1,89	2,17	2,36
	21.59.0	31	82	0	0	0,94	1,13	1,89	2,08	2,26
	22.34.0	30	82	0	0	0,85	1,23	1,89	2,17	2,55
	23.9.0	30	85	0	0	0,94	1,23	1,79	2,08	1,79
	23.44.0	29	85	0	0	0,85	1,23	1,79	2,08	1,32
13/03/20	0.20.0	29	90	0	0	1,04	1,13	1,89	2,08	1,7
	0.55.0	29	90	0	0	1,04	1,13	1,6	2,17	0,94
	1.29.0	29	92	0	0	0,94	1,32	1,7	1,89	1,23
	2.4.0	29	92	0	0	1,04	1,23	1,79	1,98	1,23
	2.40.0	28	92	0	0	1,04	1,32	1,79	1,98	2,45
	3.15.0	28	90	0	0	0,85	1,13	1,89	1,89	2,55
	3.50.0	28	92	0	0	1,04	1,13	1,6	1,89	1,6
	4.23.0	28	90	0	0	1,13	1,32	1,7	1,98	1,7
	4.58.0	27	81	0	0	1,04	1,23	1,6	1,98	2,17
	5.32.0	27	81	0	0	1,04	1,42	1,7	1,89	1,89
	6.7.0	27	76	0	0	1,04	1,13	1,79	1,98	2,26
	6.42.0	27	63	0	0	1,04	1,04	1,79	1,89	1,98
	7.19.0	27	60	0,09854	0	1,04	1,13	1,7	1,98	1,98
	7.54.0	27	62	0,09854	0	0,85	1,13	1,79	2,08	1,89
	8.29.0	28	62	0,33675	0	1,13	1,04	1,79	2,08	2,26
	9.5.0	31	72	0,60264	0	0,94	1,42	1,79	1,98	2,26
	9.41.0	31	72	0,60264	0	1,13	1,23	1,7	1,89	2,36
	10.16.0	34	66	1,21757	0	0,94	1,42	1,7	2,08	2,64
	10.51.0	35	63	1,01303	0	0,94	1,23	1,89	1,89	2,36
	11.25.0	37	75	6,60615	0	0,94	1,04	1,7	1,89	2,64
	12.0.0	39	80	7,96179	0	1,04	1,23	1,7	1,89	2,55
	12.36.0	41	80	7,9959	0	1,04	1,23	1,79	2,08	2,74
	13.11.0	43	78	7,9959	0	0,85	1,13	1,89	1,89	2,64
	13.46.0	42	78	7,9959	0	0,85	1,13	1,79	1,98	1,79
	14.21.0	40	76	7,9959	0	0,94	1,23	1,7	1,98	2,64
	14.56.0	41	76	7,9959	0	0,94	1,23	1,89	1,98	2,74
	15.31.0	42	75	7,9959	0	0,75	1,13	1,79	2,08	2,74
	16.6.0	41	70	7,9959	0	0,94	1,13	1,7	2,08	2,74
	16.41.0	41	70	4,12138	0	1,04	1,13	1,79	1,98	2,17
	17.17.0	37	75	1,42987	0	0,94	1,23	1,6	2,17	2,64
	17.52.0	37	75	1,42987	0	1,04	1,23	1,89	2,08	2,55
	18.26.0	38	75	1,7593	0	0,94	1,04	1,79	2,08	2,55
	19.1.0	34	74	0,19517	0	1,04	1,23	1,7	2,08	2,36

DATA MONITORING ARUS BOCOR ISOLATOR										
Date	Time (Hour)	Temp. (°C)	Humidity (%)	UV mW/cm2	Rainfall mm/H	Type Insulators				
						Type A	Type B	Type C	Type D	Type E
	19.36.0	34	74	0,19517	0	1,04	1,04	1,89	2,08	2,64
	20.10.0	32	78	0	0	0,94	1,13	1,89	2,08	2,64
	20.45.0	32	80	0	0	1,04	1,13	1,79	2,08	1,98
	21.20.0	30	80	0	0	1,23	1,23	1,7	2,17	2,17
	21.55.0	31	82	0	0	0,85	1,13	1,89	2,08	1,51
	22.30.0	31	82	0	0	0,85	1,23	1,89	2,08	1,51
	23.5.0	30	85	0	0	0,94	1,13	1,89	2,08	2,36
	23.40.0	30	85	0	0	1,04	1,13	1,79	2,08	2,36
14/03/20	0.14.0	29	90	0	0	1,04	1,13	1,79	1,98	1,79
	0.49.0	29	90	0	0	0,94	1,13	1,7	1,98	2,17
	1.25.0	28	92	0	2	0,94	1,13	1,79	2,08	2,08
	2.0.0	28	92	0	0	0,94	1,13	1,7	2,08	1,79
	2.35.0	28	92	0	0	1,04	1,13	1,89	2,08	2,26
	3.10.0	28	90	0	1	1,04	1,23	1,79	2,08	2,17
	3.45.0	28	92	0	0	0,94	1,23	1,79	2,08	1,79
	4.18.0	28	90	0	1	0,85	1,23	1,7	2,17	2,74
	4.52.0	28	81	0	1	1,04	1,13	1,51	1,89	2,36
	5.26.0	28	81	0	0	1,04	1,13	1,7	1,89	2,08
	6.1.0	28	76	0	0	0,94	1,23	1,79	1,98	2,36
	6.35.0	28	63	0	0	0,94	1,32	1,6	1,98	2,55
	7.9.0	28	60	0,00586	0	0,85	1,04	1,6	1,89	2,17
	7.44.0	28	62	0,00586	0	1,04	1,23	1,79	1,89	2,64
	8.21.0	28	62	0,22401	0	0,94	1,13	1,7	1,98	2,64
	8.57.0	29	72	0,78477	6	1,04	1,23	1,7	1,89	2,74
	9.32.0	29	72	0,78477	6	1,04	1,13	1,79	2,17	2,45
	10.7.0	31	66	1,57731	0	1,04	1,23	1,79	1,89	1,89
	10.42.0	33	63	1,46018	0	1,13	1,42	1,7	2,08	2,64
	11.16.0	33	75	1,46018	0	0,94	1,04	1,79	1,98	2,64
	11.51.0	33	80	1,03558	0	0,94	1,13	1,7	2,08	2,64
	12.26.0	33	80	1,36164	0	0,94	1,23	1,7	1,98	1,79
	13.1.0	32	78	1,04524	0	0,94	1,23	1,7	1,98	2,26
	13.37.0	36	78	2,47877	0	1,04	1,04	1,7	1,98	2,74
	14.12.0	33	76	1,69341	0	0,94	1,32	1,7	1,89	2,64
	14.47.0	33	76	1,69341	0	0,94	1,32	1,51	1,89	2,55
	15.21.0	33	75	2,1937	0	1,13	1,23	1,79	1,79	1,89
	15.56.0	32	70	1,29078	0	0,94	1,23	1,42	1,98	2,74
	16.30.0	32	70	1,29078	0	0,75	1,23	1,79	1,89	1,51
	17.5.0	32	75	1,84568	0	0,94	1,04	1,7	1,98	2,64
	17.40.0	34	75	1,45183	0	1,04	1,32	1,7	1,89	2,64
	18.15.0	32	75	0,57921	0	0,94	1,23	1,79	2,08	2,36

DATA MONITORING ARUS BOCOR ISOLATOR										
Date	Time (Hour)	Temp. (°C)	Humidity (%)	UV mW/cm2	Rainfall mm/H	Type Insulators				
						Type A	Type B	Type C	Type D	Type E
	18.50.0	30	74	0,17321	0	0,94	1,23	1,79	1,79	2,74
	19.25.0	30	74	0,00146	0	0,94	1,23	1,79	1,98	2,36
	20.0.0	30	78	0,00146	0	0,94	1,04	1,79	1,98	2,64
	20.34.0	29	80	0	0	0,85	1,04	1,7	1,89	1,7
	21.9.0	29	80	0	0	0,85	1,13	1,89	1,89	2,26
	21.44.0	28	82	0	0	1,04	1,13	1,7	1,98	2,17
	22.18.0	28	82	0	0	0,85	1,23	1,89	2,17	2,17
	22.53.0	28	85	0	0	0,94	1,13	1,79	2,08	2,55
	23.28.0	28	85	0	0	0,94	1,23	1,79	1,98	2,64
	15/03/20	0.3.0	28	90	0	0	1,04	1,13	1,79	1,98
	0.37.0	28	90	0	0	0,94	1,23	1,79	1,89	2,45
	1.11.0	28	92	0	0	0,94	1,13	1,79	1,98	1,89
	1.46.0	28	92	0	0	0,85	1,23	1,79	2,08	2,36
	2.20.0	28	92	0	0	0,94	1,13	1,6	1,98	2,74
	2.56.0	28	90	0	0	1,04	1,13	1,79	1,98	2,74
	3.30.0	27	92	0	0	0,94	1,13	1,89	2,08	2,74
	4.6.0	27	90	0	0	0,94	1,42	1,7	2,08	2,74
	4.42.0	27	81	0	0	1,13	1,23	1,6	1,89	2,74
	5.18.0	27	81	0	0	0,85	1,13	1,7	2,08	2,74
	5.52.0	27	76	0	0	0,85	1,23	1,79	1,98	2,26
	6.25.0	27	63	0	0	1,13	1,13	1,7	1,89	2,26
	6.59.0	27	60	0	0	0,85	1,23	1,79	1,98	2,74
	7.33.0	27	62	0,12094	0	0,94	1,23	1,6	2,08	1,79
	8.9.0	28	62	0,31479	0	0,94	1,13	1,6	1,98	2,17
	8.45.0	28	72	0,31479	0	0,85	1,13	1,6	1,89	1,89
	9.21.0	29	72	0,52987	0	0,85	1,23	1,7	1,89	2,26
	9.55.0	31	66	0,6388	0	0,94	1,23	1,7	1,98	2,64
	10.30.0	34	63	0,73939	0	0,94	1,13	1,7	1,89	2,74
	11.6.0	36	75	6,95695	0	0,94	1,04	1,7	1,89	2,26
	11.41.0	38	80	7,43616	0	0,94	1,23	1,7	1,89	2,55
	12.15.0	38	80	7,43616	0	0,85	1,32	1,6	1,89	2,64
	12.50.0	40	78	7,9959	0	1,04	1,32	1,7	2,08	2,26
	13.24.0	40	78	7,9959	0	0,94	1,32	1,79	2,08	1,79
	13.59.0	37	76	2,6022	0	0,85	1,32	1,79	1,98	2,08
	14.34.0	39	76	7,9959	0	1,04	1,23	1,79	2,08	2,26
	15.9.0	38	75	7,9959	0	1,04	1,23	1,79	1,98	2,64
	15.44.0	40	70	7,9959	0	0,94	1,13	1,89	1,98	2,36
	16.18.0	40	70	7,9959	0	0,85	1,32	1,79	2,08	2,36
	16.53.0	41	75	7,31083	0	0,85	1,13	1,51	1,98	2,36
	17.28.0	41	75	5,99751	0	0,85	1,13	1,7	2,08	2,45

DATA MONITORING ARUS BOCOR ISOLATOR										
Date	Time (Hour)	Temp. (°C)	Humidity (%)	UV mW/cm2	Rainfall mm/H	Type Insulators				
						Type A	Type B	Type C	Type D	Type E
	18.3.0	39	75	3,07994	0	0,94	1,04	1,7	1,89	1,79
	18.38.0	38	74	2,06633	0	1,04	1,04	1,79	1,98	2,26
	19.12.0	38	74	2,06633	0	1,04	1,23	1,79	1,7	2,17
	19.47.0	32	78	0	0	1,04	1,04	1,89	1,89	1,79
	20.22.0	31	80	0	0	0,85	1,13	1,6	1,98	2,17
	20.57.0	31	80	0	0	0,85	1,32	1,6	1,89	1,51
	21.32.0	31	82	0	0	1,04	1,04	1,7	1,98	1,89
	22.7.0	31	90	0	0	1,04	1,13	1,79	1,98	2,08
	22.42.0	31	92	0	0	1,04	1,23	1,79	2,08	2,26
	23.17.0	30	90	0	0	0,94	1,13	1,79	1,79	2,36
	23.52.0	30	81	0	0	1,04	1,13	1,79	1,79	2,55
16/03/20	0.26.0	29	81	0	0	0,85	1,13	1,6	1,98	2,17
	1.0.0	29	76	0	0	0,94	1,04	1,6	1,98	2,55
	1.35.0	29	63	0	0	0,85	1,13	1,6	1,98	2,74
	2.11.0	29	60	0	0	0,94	1,13	1,7	2,08	2,74
	2.47.0	29	62	0	0	1,04	1,13	1,79	1,89	1,42
	3.24.0	28	62	0	0	1,04	1,23	1,7	1,89	2,26
	3.59.0	28	72	0	0	0,94	1,23	1,7	2,08	2,64
	4.35.0	28	72	0	0	0,94	1,32	1,7	2,08	2,36
	5.9.0	28	66	0	0	0,85	1,32	1,79	1,89	2,74
	5.43.0	28	63	0	0	1,04	1,23	1,79	2,08	2,64
	6.16.0	28	75	0	0	1,04	1,23	1,89	1,98	2,74
	6.50.0	27	80	0	0	1,04	1,23	1,6	2,08	1,6
	7.22.0	27	80	0,05944	0	0,94	1,13	1,79	1,98	2,36
	7.58.0	27	78	0,05944	0	0,94	1,23	1,89	1,98	1,79
	8.34.0	30	78	0,44407	0	0,94	1,32	1,32	1,89	1,7
	9.8.0	30	76	0,44407	0	0,94	1,23	1,51	1,98	2,64
	9.43.0	35	76	1,83734	0	1,23	1,32	1,79	1,98	2,36
	10.18.0	38	75	2,52313	0	0,85	1,13	1,79	2,08	2,45
	10.53.0	38	70	2,44363	0	0,85	1,23	1,7	2,08	2,08
	11.29.0	38	70	2,55242	0	0,94	1,23	1,7	1,98	2,74
	12.4.0	38	75	2,55242	0	1,13	1,32	1,98	1,89	2,26
	12.39.0	41	75	7,9959	0	0,94	1,13	1,6	1,98	2,55
	13.14.0	41	75	7,9959	0	1,04	1,04	1,7	1,98	1,79
	13.49.0	40	74	7,9959	0	0,94	1,13	1,32	2,08	1,89
	14.24.0	41	74	3,09312	0	0,75	1,23	1,51	1,89	2,36
	14.59.0	40	78	7,9959	0	0,85	1,13	1,51	1,79	1,89
	15.52.0	41	80	7,9959	0	0,75	1,23	1,7	1,89	1,6
	16.26.0	39	80	7,9959	0	0,94	1,13	1,7	1,79	2,26
	17.1.0	41	82	7,32196	0	0,94	1,23	1,7	1,89	2,45

DATA MONITORING ARUS BOCOR ISOLATOR										
Date	Time (Hour)	Temp. (°C)	Humidity (%)	UV mW/cm2	Rainfall mm/H	Type Insulators				
						Type A	Type B	Type C	Type D	Type E
	17.35.0	41	82	7,32196	0	0,94	1,23	1,79	2,08	2,74
	18.10.0	41	85	4,19224	0	0,94	1,32	1,89	2,08	2,36
	18.45.0	39	85	1,94187	0	1,04	1,13	1,89	2,08	1,89
	19.20.0	39	90	1,94187	0	0,75	1,23	1,89	1,89	2,83
	19.55.0	32	90	0	0	0,94	1,13	1,89	2,08	2,64
	20.29.0	32	90	0	0	0,94	1,23	1,89	2,08	2,45
	21.4.0	30	92	0	0	0,75	1,04	1,89	2,08	2,74
	21.39.0	30	90	0	0	1,23	1,13	1,89	1,98	2,64
	22.14.0	30	81	0	0	0,85	1,23	1,89	2,08	2,64
	22.49.0	30	81	0	0	0,94	1,13	1,6	2,08	2,74
	23.23.0	29	76	0	0	0,94	1,23	1,79	2,08	2,64
	23.58.0	29	63	0	0	1,04	1,42	1,7	1,98	2,64
17/03/20	0.33.0	29	60	0	0	0,85	1,23	1,6	1,98	2,08
	1.8.0	29	62	0	0	1,04	1,32	1,7	1,98	2,26
	1.43.0	29	62	0	0	1,04	1,23	1,79	1,98	2,74
	2.16.0	29	72	0	0	0,94	1,13	1,7	1,89	2,26
	2.50.0	29	72	0	0	0,94	1,13	1,79	1,89	2,26
	3.23.0	29	66	0	0	0,94	1,13	1,79	1,79	2,17
	3.58.0	29	63	0	0	0,94	1,23	1,7	1,89	2,64
	4.33.0	29	75	0	0	1,04	1,23	1,89	2,08	2,17
	5.7.0	28	80	0	0	1,04	1,23	1,79	1,98	2,64
	5.41.0	28	80	0	0	0,94	1,23	1,79	1,89	2,26
	6.18.0	28	78	0	1	0,94	1,23	1,79	1,98	2,64
	6.52.0	28	78	0	0	0,94	1,04	1,79	2,08	2,36
	7.28.0	28	76	0,10732	0	1,04	1,13	1,89	2,17	2,36
	8.4.0	28	76	0,10732	0	0,85	1,13	1,7	1,98	2,64
	8.40.0	31	75	0,70615	0	0,94	1,13	1,89	2,17	2,64
	9.17.0	31	70	0,70615	0	0,94	1,23	1,79	2,08	2,64
	9.53.0	36	70	2,40307	0	0,94	1,23	1,79	1,89	2,55
	10.27.0	36	75	2,40307	0	1,04	1,23	1,89	1,89	2,55
	11.2.0	41	75	7,61684	0	0,94	1,23	1,79	2,17	2,26
	11.37.0	42	75	7,9959	0	1,13	1,42	1,7	1,89	2,64
	12.12.0	42	74	1,98873	0	1,04	1,32	1,79	1,89	2,55
	12.47.0	29	74	0,89063	0	1,13	1,13	1,7	1,89	2,74
	13.22.0	33	78	2,15505	0	1,04	1,13	1,89	2,08	2,55
	13.57.0	33	80	2,15505	0	0,94	1,13	1,79	2,17	2,74
	14.31.0	30	80	1,04876	0	0,94	1,04	1,89	1,98	2,08
	15.6.0	31	82	1,51728	0	1,13	1,42	1,79	2,17	2,74
	15.41.0	31	90	1,51728	0	1,23	1,32	1,89	2,08	2,64
	16.16.0	33	92	4,96135	0	1,23	1,51	1,89	1,98	2,55

DATA MONITORING ARUS BOCOR ISOLATOR										
Date	Time (Hour)	Temp. (°C)	Humidity (%)	UV mW/cm2	Rainfall mm/H	Type Insulators				
						Type A	Type B	Type C	Type D	Type E
	16.51.0	35	90	4,83353	0	0,94	1,32	1,89	1,98	2,45
	17.25.0	36	81	5,55534	0	1,04	1,32	1,89	1,98	2,64
	18.0.0	36	81	5,55534	0	1,13	1,13	1,79	1,98	2,64
	18.35.0	39	76	4,47921	0	0,85	1,04	1,79	1,98	2,74
	19.10.0	37	63	2,22152	0	1,04	1,23	1,89	1,89	2,64
	19.45.0	34	60	0,10337	0	1,04	0,94	1,79	2,08	2,36
	20.20.0	31	62	0	0	1,04	1,32	1,89	2,08	2,55
	20.55.0	30	62	0	0	1,04	1,13	1,79	1,98	2,45
	21.30.0	30	72	0	0	0,94	1,23	1,7	1,79	2,45
	22.5.0	29	72	0	0	0,85	1,13	1,7	1,98	2,74
	22.40.0	29	66	0	0	0,85	1,04	1,79	1,89	2,74
	23.15.0	28	63	0	0	1,04	1,23	1,7	1,98	2,64
	23.50.0	28	75	0	0	1,04	1,23	1,79	1,79	2,26
18/03/20	0.23.0	28	90	0	0	0,94	1,13	1,7	1,98	2,36
	0.58.0	28	92	0	0	0,94	1,13	1,7	1,98	2,55
	1.33.0	28	90	0	0	1,04	1,23	1,7	1,98	2,64
	2.9.0	27	81	0	0	1,04	1,23	1,79	2,08	2,64
	2.44.0	27	81	0	0	0,85	1,13	1,79	1,98	2,55
	3.21.0	27	76	0	0	0,85	1,23	1,79	1,98	2,74
	3.57.0	27	63	0	0	0,94	1,04	1,79	2,08	2,55
	4.32.0	27	60	0	0	0,94	1,32	1,89	2,08	2,74
	5.6.0	27	62	0	0	1,04	1,23	1,79	1,98	2,74
	5.41.0	26	62	0	0	1,04	1,42	1,6	1,98	2,64
	6.14.0	26	72	0	0	1,04	1,32	1,79	2,08	2,64
	6.50.0	26	72	0	0	1,04	1,32	1,7	1,98	2,74
	7.24.0	27	66	0,1448	0	1,04	1,13	1,79	1,98	2,17
	7.58.0	27	63	0,1448	0	0,75	1,13	1,7	1,98	2,55
	8.32.0	28	75	0,3265	0	0,94	1,32	1,7	1,98	2,55
	9.6.0	29	80	0,41288	0	1,04	1,23	1,79	1,98	2,64
	9.40.0	32	80	0,52313	0	0,94	1,23	1,7	1,98	2,55
	10.15.0	33	78	0,58258	0	0,85	1,13	1,7	1,98	2,17
	10.50.0	36	78	7,06149	0	0,85	1,23	1,6	2,08	2,64
	11.25.0	39	76	7,57672	0	0,94	1,23	1,79	1,98	2,64
	12.0.0	39	76	7,57672	0	1,04	1,32	1,89	1,98	2,74
12.34.0	39	75	1,89649	0	1,13	1,32	1,7	1,98	2,74	
13.9.0	39	70	1,89649	0	0,85	1,13	1,89	2,08	2,17	
13.44.0	39	70	7,9959	0	1,04	1,13	1,7	1,98	2,74	
14.19.0	38	75	7,9959	0	0,94	1,23	1,79	1,98	2,64	
14.54.0	41	75	7,9959	0	0,85	1,13	1,79	1,89	2,74	
15.29.0	39	75	7,9959	0	0,75	1,13	1,79	1,89	2,74	

DATA MONITORING ARUS BOCOR ISOLATOR										
Date	Time (Hour)	Temp. (°C)	Humidity (%)	UV mW/cm2	Rainfall mm/H	Type Insulators				
						Type A	Type B	Type C	Type D	Type E
	16.21.0	29	74	0,94422	0	0,94	1,13	1,79	1,89	2,74
	16.56.0	32	74	2,12138	0	0,94	1,13	1,6	1,98	2,26
	17.31.0	34	78	1,52753	0	1,13	1,13	1,79	1,98	2,55
	18.5.0	34	80	1,52753	0	0,75	1,32	1,79	1,98	2,55
	18.40.0	33	80	0,44744	0	1,13	1,23	1,6	1,98	2,64
	19.16.0	33	82	0,44744	0	0,94	1,04	1,89	1,89	2,36
	19.51.0	32	82	0,01654	0	0,94	1,23	1,51	1,79	2,64
	20.26.0	31	85	0	0	1,04	1,13	1,7	1,98	2,64
	21.1.0	30	85	0	0	0,75	1,13	1,7	1,98	2,17
	21.35.0	30	90	0	0	0,85	1,04	1,42	2,08	2,64
	22.10.0	30	90	0	0	0,85	1,23	1,79	1,98	2,74
	22.45.0	30	92	0	0	0,94	1,13	1,7	1,89	2,64
	23.20.0	30	92	0	0	0,85	1,04	1,7	1,98	1,79
	23.55.0	30	92	0	0	0,94	1,23	1,42	1,89	2,45
19/03/20	0.29.0	28	89	0	0	0,85	1,13	1,7	1,89	2,55
	1.4.0	27	88	0	0	1,04	1,23	1,7	1,89	2,64
	1.40.0	27	86	0	0	0,75	1,13	1,79	1,98	2,64
	2.17.0	27	87	0	0	1,13	1,23	1,79	2,17	2,74
	2.52.0	27	87	0	0	0,94	1,04	1,79	1,98	2,26
	3.29.0	26	88	0	0	1,04	1,23	1,7	1,98	2,08
	4.4.0	26	90	0	0	1,13	1,23	1,7	2,08	2,74
	4.39.0	26	91	0	0	1,13	1,23	1,89	1,98	2,36
	5.14.0	25	95	0	0	1,04	1,23	1,89	1,89	2,36
	5.48.0	26	93	0	0	1,13	1,23	1,7	2,08	2,55
	6.22.0	26	93	0	0	1,04	1,23	1,79	1,98	2,74
	6.58.0	25	89	0,00234	0	1,04	1,32	1,89	2,08	2,17
	7.33.0	27	84	0,21567	0	1,13	1,32	1,89	1,98	2,74
	8.7.0	31	68	0,42167	0	0,85	1,23	1,89	2,08	2,74
	8.42.0	31	68	0,53719	0	0,85	1,04	1,7	1,89	2,74
	9.19.0	37	49	0,61288	0	0,85	1,04	1,79	1,98	2,64
	9.55.0	38	44	0,61288	0	0,94	1,32	1,7	2,08	2,26
	10.30.0	38	43	0,86384	0	0,94	1,13	1,89	2,08	2,55
	11.5.0	40	39	0,86384	0	0,85	1,23	1,7	1,98	2,74
	11.40.0	37	47	4,84861	0	0,85	1,13	1,6	2,08	2,74
	12.14.0	37	50	7,9959	0	1,04	1,23	1,89	1,98	1,98
	12.49.0	37	50	7,9959	0	0,94	1,23	1,7	1,98	1,6
	13.24.0	38	49	2,76471	0	0,85	1,13	1,79	1,98	2,64
	13.59.0	38	49	0,35666	0	1,04	1,42	1,7	2,08	2,64
	14.33.0	39	49	1,38507	0	0,85	1,32	1,79	1,98	2,64
	15.8.0	39	49	1,38507	0	0,94	1,13	1,7	1,98	2,55

DATA MONITORING ARUS BOCOR ISOLATOR										
Date	Time (Hour)	Temp. (°C)	Humidity (%)	UV mW/cm2	Rainfall mm/H	Type Insulators				
						Type A	Type B	Type C	Type D	Type E
	15.43.0	38	50	1,65007	0	0,94	1,32	1,89	1,98	2,55
	16.18.0	33	62	7,9959	0	0,94	1,23	1,98	1,98	2,55
	16.53.0	33	62	7,9959	0	0,85	1,13	1,7	1,98	1,98
	17.27.0	34	58	3,83206	0	0,94	1,23	1,7	2,08	2,26
	18.2.0	33	65	3,83206	0	1,23	1,04	1,7	1,98	2,64
	18.38.0	33	65	1,24246	0	1,04	1,51	1,79	2,08	2,64
	19.13.0	30	77	1,24246	0	1,04	1,04	1,79	1,98	2,55
	19.48.0	30	77	0	0	0,94	1,13	1,79	1,98	2,64
	20.22.0	30	79	0	0	0,94	1,23	1,89	1,98	2,08
	20.57.0	30	80	0	0	1,04	1,32	1,7	1,89	2,55
	21.31.0	30	82	0	0	1,13	1,32	1,7	1,98	2,26
	22.6.0	30	82	0	0	1,13	1,32	1,79	2,08	2,55
	22.41.0	29	84	0	0	1,13	1,32	1,7	2,08	2,36
	23.16.0	29	87	0	0	0,94	1,13	1,79	1,89	2,26
	23.51.0	29	90	0	0	0,94	1,13	1,79	1,89	2,64
20/03/20	0.25.0	29	95	0	0	0,94	1,13	1,79	2,08	2,55
	1.0.0	29	95	0	0	1,04	1,32	1,6	2,17	2,17
	1.35.0	28	89	0	0	1,04	1,13	1,79	2,08	2,55
	2.9.0	27	88	0	0	0,94	1,32	1,79	2,08	2,26
	2.43.0	27	86	0	0	0,94	1,13	1,79	2,08	2,26
	3.18.0	27	87	0	0	1,04	1,23	1,79	1,98	2,55
	3.53.0	27	87	0	0	1,13	1,32	1,7	2,17	2,74
	4.26.0	26	88	0	0	1,13	1,42	1,89	2,08	2,74
	5.2.0	26	90	0	0	1,04	1,23	1,7	2,17	2,64
	5.36.0	26	91	0	0	1,13	1,32	1,79	1,98	2,64
	6.10.0	25	95	0	0	0,75	1,32	1,79	2,08	2,74
	6.44.0	26	93	0	0	0,94	1,32	1,89	2,08	2,74
	7.17.0	26	93	0	0	1,13	1,42	1,7	2,08	2,64
	7.53.0	25	89	0,29663	0	1,04	1,32	1,79	1,98	2,74
	8.26.0	27	84	0,48258	0	0,85	1,23	1,79	2,17	2,74
	9.0.0	31	68	0,64656	0	0,85	1,23	1,79	1,98	2,74
	9.35.0	31	68	1,17555	0	1,04	1,32	1,7	2,17	2,55
	10.10.0	37	49	1,09751	0	1,04	1,13	1,7	2,08	2,08
	10.45.0	38	44	1,09751	0	1,04	1,23	1,7	2,08	2,17
	11.20.0	38	43	4,34392	0	0,94	1,23	1,89	2,17	2,55
	11.55.0	40	39	4,34392	0	1,23	1,23	1,79	2,08	2,74
	12.30.0	37	47	6,77833	0	1,13	1,23	1,89	2,17	2,74
	13.5.0	37	50	2,9672	0	1,04	1,32	1,7	2,08	2,64
	13.40.0	37	50	7,9959	0	0,94	1,23	1,7	1,89	2,74
	14.15.0	38	49	7,9959	0	0,85	1,13	1,79	1,98	2,26

DATA MONITORING ARUS BOCOR ISOLATOR										
Date	Time (Hour)	Temp. (°C)	Humidity (%)	UV mW/cm2	Rainfall mm/H	Type Insulators				
						Type A	Type B	Type C	Type D	Type E
	14.50.0	38	49	2,21757	0	0,94	1,13	1,79	1,98	2,08
	15.25.0	39	49	0,9511	0	0,94	1,04	1,79	1,98	2,17
	16.0.0	39	49	0,059	1	1,13	1,23	1,89	1,98	2,36
	16.51.0	38	50	0,09224	71	1,13	1,23	1,79	2,08	2,36
	17.26.0	33	62	0,11611	10	1,04	1,23	1,89	2,08	2,64
	18.1.0	33	62	0,11611	10	0,94	1,32	1,7	1,98	2,64
	18.35.0	34	58	0,13895	2	1,13	1,13	1,79	2,08	2,74
	19.10.0	33	65	0,01406	0	0,94	1,13	1,6	1,98	2,64
	19.45.0	33	65	0,01406	0	0,94	1,13	1,79	1,98	2,64
	20.20.0	30	77	0	0	0,94	1,23	1,7	2,08	2,64
	20.55.0	30	77	0	0	0,94	1,32	1,7	1,98	2,74
	21.30.0	30	79	0	0	0,94	1,13	1,7	1,98	2,64
	22.5.0	30	80	0	0	0,75	1,13	1,79	1,98	2,55
	22.40.0	30	82	0	0	0,94	1,23	1,89	1,98	2,26
	23.14.0	30	82	0	0	0,85	1,13	1,7	2,17	2,08
	23.49.0	29	84	0	0	0,94	1,13	1,89	2,08	2,74
21/03/20	0.22.0	29	87	0	0	0,94	1,23	1,7	1,98	2,74
	0.57.0	29	90	0	0	1,04	1,32	1,79	2,08	2,74
	1.32.0	29	95	0	0	1,04	1,32	1,79	1,89	2,74
	2.6.0	28	89	0	0	0,94	1,13	1,7	1,98	2,64
	2.41.0	27	88	0	0	1,04	1,23	1,79	2,08	2,64
	3.18.0	27	86	0	0	1,04	1,32	1,79	2,08	2,74
	3.52.0	27	87	0	0	1,04	1,32	1,79	1,98	2,74
	4.26.0	27	87	0	0	0,94	1,42	1,89	1,98	2,08
	5.1.0	26	88	0	0	0,94	1,23	1,79	1,98	2,36
	5.35.0	26	90	0	0	0,94	1,32	1,79	1,98	2,64
	6.10.0	26	91	0	0	0,94	1,42	1,89	2,08	2,45
	6.45.0	25	95	0	0	0,85	1,32	1,6	1,98	2,74
	7.20.0	26	93	0	0	0,94	1,23	1,7	1,89	2,74
	7.54.0	26	93	0,08433	0	0,94	1,23	1,7	1,98	2,64
	8.30.0	25	89	1,13221	0	0,85	1,23	1,79	2,08	2,64
	9.6.0	27	84	0,5407	0	1,04	1,23	1,7	1,79	2,36
	9.42.0	31	68	0,59634	0	0,94	1,23	1,79	1,98	2,64
	10.17.0	31	68	0,59634	0	0,85	1,13	1,7	1,98	2,83
	10.52.0	37	49	0,75739	0	1,04	1,23	1,6	1,89	2,74
	11.27.0	38	44	7,34978	0	0,85	1,13	1,7	1,79	2,36
	12.2.0	38	43	7,9959	0	0,94	1,32	1,7	1,98	2,74
	12.38.0	40	39	3,71098	0	1,04	1,23	1,79	1,98	2,64
	13.12.0	37	47	3,71098	0	0,85	1,04	1,79	1,89	2,64
	13.47.0	37	50	1,30981	0	0,94	1,13	1,7	1,89	2,55

DATA MONITORING ARUS BOCOR ISOLATOR										
Date	Time (Hour)	Temp. (°C)	Humidity (%)	UV mW/cm2	Rainfall mm/H	Type Insulators				
						Type A	Type B	Type C	Type D	Type E
	14.22.0	37	50	7,9959	0	0,94	1,23	1,89	1,98	1,79
	14.57.0	38	49	6,99898	0	1,13	1,23	1,79	1,98	2,74
	15.32.0	38	49	1,14392	0	1,04	1,42	1,7	1,89	2,74
	16.7.0	39	49	1,14392	0	1,04	1,04	1,79	1,89	2,64
	16.42.0	39	49	0,406	0	0,94	1,32	1,79	1,89	2,74
	17.17.0	38	50	0,406	0	1,04	1,32	1,79	1,89	2,74
	17.52.0	33	62	0,74714	0	1,04	1,32	1,79	2,08	2,83
	18.27.0	33	62	0,09224	0	1,04	1,23	1,7	1,98	2,64
	19.2.0	34	58	0,15564	4	0,85	1,23	1,79	1,89	2,17
	19.37.0	33	65	0	0	1,04	1,23	1,7	2,08	2,74
	20.11.0	33	65	0	0	0,85	1,23	1,7	2,08	2,64
	20.46.0	30	77	0	0	1,13	1,51	1,79	1,98	2,64
	21.21.0	30	77	0	0	1,13	1,42	1,89	1,98	2,74
	21.56.0	30	79	0	0	1,04	1,42	1,7	1,98	2,64
	22.30.0	30	80	0	0	1,23	1,42	1,6	1,98	2,74
	23.5.0	30	82	0	0	0,85	1,23	1,79	1,98	2,74
	23.40.0	30	82	0	0	1,04	1,23	1,79	1,98	2,74
22/03/20	0.15.0	29	95	0	0	1,23	1,42	1,79	2,08	2,74
	0.49.0	28	89	0	0	1,04	1,42	1,79	1,89	2,74
	1.24.0	27	88	0	0	1,23	1,51	1,79	2,08	2,74
	1.59.0	27	86	0	0	1,23	1,32	1,89	1,98	2,74
	2.33.0	27	87	0	0	1,23	1,51	1,89	2,17	2,74
	3.8.0	27	87	0	0	1,13	1,51	1,7	1,98	2,36
	3.42.0	26	88	0	0	1,23	1,51	1,79	2,08	2,64
	4.16.0	26	90	0	0	1,23	1,23	1,7	1,98	2,36
	4.50.0	26	91	0	0	0,94	1,13	1,79	2,08	2,08
	5.23.0	25	95	0	0	0,94	1,23	1,7	1,98	2,83
	5.58.0	26	93	0	0	0,94	1,32	1,7	1,89	2,64
	6.32.0	26	93	0	0	0,85	1,13	1,7	1,98	2,74
	7.7.0	25	89	0	0	1,04	1,04	1,79	1,98	2,55
	7.43.0	27	84	0,02094	0	0,85	1,04	1,7	1,89	2,45
	8.17.0	31	68	0,24143	0	0,94	1,23	1,7	1,89	2,36
	8.52.0	31	68	1,39575	0	0,85	1,23	1,7	1,89	2,08
	9.26.0	37	49	1,54319	0	0,94	1,13	1,7	1,89	2,55
	10.1.0	38	44	1,40849	0	0,85	1,23	1,79	2,08	2,36
	10.37.0	38	43	1,40849	0	1,04	1,23	1,7	1,98	2,64
	11.12.0	40	39	5,53587	0	1,04	1,32	1,79	1,98	2,26
	11.47.0	37	47	5,53587	0	0,85	1,13	1,7	2,08	1,79
	12.22.0	37	50	5,99795	0	0,94	1,32	1,79	2,17	2,74
	12.57.0	37	50	7,9959	0	1,13	1,13	1,79	2,08	2,64

DATA MONITORING ARUS BOCOR ISOLATOR										
Date	Time (Hour)	Temp. (°C)	Humidity (%)	UV mW/cm2	Rainfall mm/H	Type Insulators				
						Type A	Type B	Type C	Type D	Type E
	13.32.0	38	49	5,34451	0	0,85	1,32	1,7	1,89	2,17
	14.6.0	38	49	7,06193	0	1,13	1,32	1,89	1,79	2,26
	14.41.0	39	49	7,06193	0	0,85	1,13	1,7	1,98	2,17
	15.17.0	39	49	4,141	0	0,85	1,42	1,7	1,89	1,79
	15.52.0	38	50	1,67204	0	0,94	1,23	1,7	1,98	2,55
	16.27.0	33	62	1,67204	0	1,13	1,32	1,79	1,98	2,74
	17.2.0	33	62	4,94378	0	1,04	1,32	1,7	2,08	1,89
	17.37.0	34	58	1,99605	0	0,94	1,23	1,79	1,98	2,64
	18.11.0	33	65	1,99605	0	1,13	1,23	1,79	2,08	2,74
	18.46.0	33	65	0,36501	0	0,94	1,13	1,6	1,98	2,64
	19.21.0	30	77	0,00673	0	1,13	1,32	1,89	1,98	2,55
	19.56.0	30	77	0	0	1,04	1,23	1,7	1,79	2,74
	20.31.0	30	79	0	0	1,13	0,94	1,79	2,08	2,64
	21.6.0	30	80	0	0	1,13	1,32	1,79	2,08	2,74
	21.41.0	30	82	0	0	0,85	1,13	1,79	1,98	2,45
	22.17.0	30	82	0	0	0,94	1,23	1,7	1,98	2,26
	22.52.0	29	95	0	0	0,85	1,13	1,89	1,89	1,89
	23.27.0	28	89	0	0	0,85	1,13	1,7	1,98	1,98
23/03/20	0.2.0	27	88	0	0	1,04	1,13	1,7	1,98	2,74
	0.38.0	27	86	0	0	0,94	1,04	1,79	2,08	2,74
	1.14.0	27	87	0	0	0,85	1,32	1,79	1,98	2,45
	1.50.0	27	87	0	0	0,94	1,23	1,7	1,98	2,74
	2.26.0	26	88	0	0	1,04	1,13	1,79	1,79	2,64
	3.0.0	26	90	0	0	1,04	1,23	1,79	2,08	2,36
	3.36.0	26	91	0	0	1,04	1,13	1,79	2,17	2,74
	4.12.0	25	95	0	0	0,85	1,04	1,7	1,98	2,64
	4.47.0	26	93	0	0	0,94	1,13	1,7	2,08	2,74
	5.22.0	26	93	0	0	0,85	1,13	1,89	1,98	2,64
	5.57.0	25	89	0	0	0,94	1,04	1,79	2,08	2,74
	6.33.0	27	84	0	0	0,94	1,23	1,79	2,08	2,74
	7.8.0	31	68	0,03163	0	0,94	1,13	1,79	2,08	2,55
	7.43.0	31	68	0,42899	0	1,04	1,32	1,7	2,08	2,74
	8.18.0	37	49	0,70322	0	1,04	1,13	1,79	1,98	1,7
	8.53.0	38	44	0,53045	0	1,04	1,13	1,89	2,08	2,55
	9.29.0	38	43	0,53045	0	0,94	1,23	1,79	2,17	2,74
	10.4.0	40	39	0,50556	0	0,94	1,13	1,89	1,98	2,08
	10.39.0	37	47	0,77892	0	0,94	1,13	1,79	1,98	2,26
	11.14.0	37	50	0,95988	0	1,04	1,32	1,6	1,98	2,36
	11.49.0	37	50	7,9959	0	0,94	1,13	1,6	1,98	2,08
	12.23.0	38	49	7,9959	0	0,75	1,04	1,7	1,79	2,36

DATA MONITORING ARUS BOCOR ISOLATOR										
Date	Time (Hour)	Temp. (°C)	Humidity (%)	UV mW/cm2	Rainfall mm/H	Type Insulators				
						Type A	Type B	Type C	Type D	Type E
	12.58.0	38	49	0,89312	0	0,85	1,13	1,79	1,89	2,55
	13.33.0	39	49	0,96574	0	0,94	1,13	1,7	1,89	1,89
	14.7.0	39	49	1,41332	15	1,04	1,04	1,6	1,98	2,55
	14.42.0	38	50	1,41332	15	0,85	1,23	1,79	1,89	2,36
	15.17.0	33	62	1,58609	0	0,94	1,13	1,7	1,98	2,36
	15.52.0	33	62	1,08536	0	1,04	1,32	1,79	1,98	1,79
	16.27.0	34	58	1,08536	0	0,94	1,13	1,7	1,98	2,26
	17.2.0	33	65	0,71537	0	1,23	1,13	1,6	2,08	2,17
	17.36.0	33	65	0,71537	0	0,94	1,23	1,79	1,98	2,74
	18.11.0	30	77	0,77452	0	1,04	1,32	1,51	1,98	2,74
	18.46.0	30	77	0,56852	0	0,94	1,32	1,79	1,89	2,36
	19.21.0	30	79	0,00586	0	0,85	1,13	1,79	1,98	2,26
	19.56.0	30	80	0	0	1,04	1,42	1,7	1,89	2,74
	20.31.0	30	82	0	0	0,85	1,32	1,7	1,79	2,55
	21.6.0	30	82	0	0	1,04	1,42	1,79	1,98	2,08
	21.41.0	29	95	0	0	0,94	1,23	1,7	1,89	2,17
	22.16.0	28	89	0	0	0,94	1,23	1,7	1,98	2,55
	22.51.0	27	88	0	0	1,13	1,23	1,79	1,89	2,26
	23.26.0	27	86	0	0	1,04	1,13	1,6	2,08	2,26
24/03/20	0.1.0	27	87	0	0	0,75	1,04	1,79	1,89	2,74
	0.36.0	27	87	0	0	1,13	1,32	1,7	1,89	1,89
	1.10.0	26	88	0	0	1,13	1,42	1,7	1,79	2,17
	1.44.0	26	90	0	0	1,13	1,32	1,7	1,79	1,6
	2.17.0	26	91	0	0	0,94	1,13	1,89	2,08	2,74
	2.51.0	25	95	0	0	0,94	1,23	1,6	1,98	1,89
	3.28.0	26	93	0	0	0,85	1,04	1,89	1,98	2,26
	4.3.0	26	93	0	0	0,85	1,23	1,7	1,89	1,42
	4.38.0	25	89	0	0	0,94	1,13	1,7	1,98	1,42
	5.14.0	27	84	0	0	1,04	1,13	1,89	1,98	2,64
	5.49.0	31	68	0	0	0,94	1,13	1,79	2,08	1,79
	6.24.0	31	68	0	0	0,94	1,23	1,79	1,98	2,36
	6.58.0	37	49	0,0019	0	0,85	1,04	1,79	2,08	2,26
	7.34.0	38	44	0,26881	0	0,94	1,32	1,79	1,89	2,55
	8.9.0	38	43	0,26881	0	1,13	1,04	1,7	1,98	2,26
	8.45.0	40	39	0,67145	0	1,04	1,23	1,89	2,17	2,64
	9.18.0	37	47	0,67145	0	1,04	1,32	1,89	2,08	2,64
	9.54.0	37	50	0,92079	0	0,85	1,23	1,79	1,98	2,36
	10.29.0	37	50	1,51288	0	0,85	1,32	1,6	1,98	2,74
	11.5.0	38	49	1,51288	0	1,04	1,23	1,89	2,08	2,45
	11.40.0	38	49	1,83294	0	0,94	1,13	1,79	2,08	2,26

DATA MONITORING ARUS BOCOR ISOLATOR										
Date	Time (Hour)	Temp. (°C)	Humidity (%)	UV mW/cm2	Rainfall mm/H	Type Insulators				
						Type A	Type B	Type C	Type D	Type E
	12.15.0	39	49	2,49722	0	1,04	1,23	1,89	1,98	2,26
	12.50.0	39	49	4,17365	0	1,04	1,13	1,6	1,98	2,36
	13.25.0	38	50	2,69985	0	0,75	1,13	1,98	1,98	2,64
	14.0.0	33	62	4,16149	0	1,04	1,32	1,7	1,89	1,79
	14.36.0	33	62	4,16149	0	0,85	1,23	1,6	1,89	2,26
	15.11.0	34	58	7,9959	0	0,94	1,23	1,79	1,79	2,36
	15.46.0	33	65	7,9959	0	1,13	1,32	1,6	1,98	1,6
	16.21.0	33	65	7,9959	0	0,85	1,13	1,89	1,98	2,55
	16.56.0	30	77	6,15227	0	0,85	1,13	1,89	2,08	2,45
	17.31.0	30	77	2,6022	0	0,94	1,23	1,89	1,98	1,89
	18.6.0	30	79	1,08331	0	0,85	1,13	1,89	2,17	2,26
	18.41.0	30	80	0,55769	0	1,04	1,13	1,89	2,17	1,42
	19.15.0	30	82	0,55769	0	0,85	1,32	1,89	2,17	2,45
	19.50.0	30	82	0	0	0,85	1,23	1,79	2,08	1,79
	20.25.0	30	79	0	0	0,94	1,23	1,89	2,08	2,64
	21.0.0	30	80	0	0	0,85	1,13	1,89	2,08	2,17
	21.34.0	30	82	0	0	0,94	1,13	1,79	2,08	1,79
	22.8.0	30	82	0	0	1,04	1,13	1,89	2,08	2,26
	22.43.0	29	95	0	0	0,85	1,32	1,6	1,98	2,64
	23.17.0	28	89	0	0	0,94	1,13	1,89	2,08	2,74
	23.52.0	27	88	0	0	0,85	1,23	1,79	1,98	2,55
25/03/20	0.27.0	27	86	0	0	0,94	1,32	1,89	2,08	2,74
	1.1.0	27	87	0	0	1,13	1,13	1,79	1,98	2,17
	1.35.0	27	87	0	0	1,04	1,04	1,79	2,08	2,45
	2.10.0	26	88	0	0	0,75	1,13	1,89	2,08	2,17
	2.46.0	26	90	0	0	0,94	1,04	1,79	1,98	2,64
	3.20.0	26	91	0	0	0,94	1,13	1,7	1,98	2,08
	3.55.0	25	95	0	0	0,85	1,23	1,79	2,08	1,89
	4.30.0	26	93	0	0	1,04	1,32	1,79	1,89	1,6
	5.6.0	26	93	0	0	1,04	1,23	1,7	1,98	2,36
	5.42.0	25	89	0	0	1,04	1,23	1,79	1,98	2,74
	6.19.0	27	84	0	0	0,94	1,23	1,7	1,89	1,98
	6.53.0	31	68	0	0	0,94	1,23	1,79	1,89	2,55
	7.28.0	31	68	0,00044	0	0,94	1,32	1,79	1,98	2,64
	8.2.0	37	49	0,31918	0	1,04	1,23	1,79	1,98	2,74
	8.38.0	38	44	0,4407	0	1,04	1,04	1,79	1,98	2,36
	9.12.0	38	43	0,4407	0	1,04	1,32	1,79	1,89	2,26
	9.47.0	40	39	0,57335	0	1,04	1,23	1,7	1,98	2,26
	10.22.0	37	47	0,79693	0	1,04	1,23	1,89	1,98	2,36
	10.57.0	37	50	6,38404	0	0,94	0,94	1,7	1,98	2,74

DATA MONITORING ARUS BOCOR ISOLATOR										
Date	Time (Hour)	Temp. (°C)	Humidity (%)	UV mW/cm2	Rainfall mm/H	Type Insulators				
						Type A	Type B	Type C	Type D	Type E
	11.33.0	37	50	6,38404	0	0,94	1,04	1,79	1,89	2,36
	12.7.0	38	49	7,9959	0	0,94	1,23	1,6	1,98	2,74
	12.42.0	38	49	1,98375	0	1,13	1,32	1,79	1,98	2,64
	13.17.0	39	49	1,43924	0	1,04	1,23	1,6	2,08	2,55
	13.52.0	39	49	7,9959	0	1,04	1,23	1,79	2,08	2,26
	14.27.0	38	50	7,9959	0	1,04	1,04	1,79	1,98	2,64
	15.2.0	33	62	7,9959	0	0,85	1,13	1,79	1,79	2,45
	15.36.0	33	62	7,9959	0	1,04	1,32	1,79	2,08	2,74
	16.11.0	34	58	7,9959	0	0,94	1,23	1,79	1,98	2,17
	16.46.0	33	65	6,55242	0	0,94	1,23	1,79	2,08	2,74
	17.20.0	33	65	6,55242	0	1,13	1,13	1,89	2,08	2,64
	17.55.0	30	77	1,72182	0	0,94	1,13	1,98	1,98	2,74
	18.30.0	30	77	1,70615	0	1,13	1,04	1,98	2,08	2,64
	19.5.0	30	79	0,21376	0	1,04	1,13	1,98	2,08	2,08
	19.40.0	30	80	0	0	0,85	1,32	1,89	2,17	2,74
	20.15.0	30	82	0	0	1,04	1,32	1,89	2,17	2,64
	20.50.0	30	82	0	0	0,85	1,13	1,89	2,17	2,74
	21.25.0	29	95	0	1	0,94	1,23	1,89	2,08	2,64
	22.0.0	28	89	0	1	0,94	1,13	1,89	2,08	1,98
	22.34.0	27	88	0	0	1,13	1,32	1,79	2,17	2,17
	23.9.0	27	86	0	0	0,85	0,94	1,7	2,08	2,55
	23.44.0	27	87	0	0	1,04	1,04	1,98	2,17	2,36
26/03/20	0.19.0	27	87	0	0	0,94	1,23	1,89	2,17	2,64
	0.54.0	26	88	0	0	0,85	1,32	1,89	2,08	2,74
	1.28.0	26	90	0	0	0,85	1,32	1,89	2,08	2,36
	2.2.0	26	91	0	0	1,04	1,23	1,89	2,17	2,45
	2.36.0	25	95	0	0	1,04	1,13	1,89	2,08	2,26
	3.12.0	26	93	0	0	0,85	1,23	1,89	2,08	2,36
	3.47.0	26	93	0	0	0,94	1,23	1,79	1,89	2,74
	4.24.0	25	89	0	0	1,04	1,13	1,7	2,08	2,36
	4.59.0	27	84	0	0	1,04	1,23	1,51	1,89	2,55
	5.33.0	31	68	0	0	0,94	1,13	1,51	2,08	2,64
	6.8.0	31	68	0	0	0,94	1,32	1,89	1,98	2,26
	6.43.0	37	49	0	0	0,94	1,32	1,79	1,89	2,36
	7.16.0	38	44	0,05842	0	1,13	1,32	1,6	2,08	2,17
	7.52.0	38	43	0,05842	0	0,94	1,32	1,7	1,98	2,17
	8.28.0	40	39	0,69634	0	1,04	1,23	1,79	1,98	2,08
	9.2.0	37	47	0,69634	0	1,13	1,32	1,79	1,89	2,74
	9.37.0	37	50	1,02826	0	0,94	1,23	1,6	1,89	2,55
	10.12.0	37	50	1,00234	0	1,13	1,23	1,79	2,17	2,74

DATA MONITORING ARUS BOCOR ISOLATOR										
Date	Time (Hour)	Temp. (°C)	Humidity (%)	UV mW/cm2	Rainfall mm/H	Type Insulators				
						Type A	Type B	Type C	Type D	Type E
	10.47.0	38	49	4,20249	0	0,94	1,23	1,7	1,98	2,64
	11.21.0	38	49	4,20249	0	0,75	1,13	1,79	2,08	1,79
	11.56.0	39	49	7,9959	43968	1,04	1,23	1,7	1,98	2,64
	12.31.0	39	49	7,48653	0	1,04	1,04	1,79	1,89	2,74
	13.6.0	38	50	7,48653	0	0,57	1,23	1,79	1,98	2,64
	13.41.0	33	62	4,79488	44512	0,85	1,23	1,79	2,08	2,64
	14.15.0	33	62	4,88331	41415	0,94	1,23	1,89	2,08	2,74
	14.50.0	34	58	4,88331	41415	0,94	1,04	1,89	2,17	2,55
	15.25.0	33	65	5,4246	0	0,85	1,23	1,89	2,08	2,64
	16.0.0	33	65	4,50791	0	0,94	1,13	1,89	2,17	2,17
	16.35.0	30	77	1,88814	0	0,94	1,13	1,79	2,17	1,98
	17.10.0	30	77	1,74378	0	0,94	1,23	1,98	2,08	1,98
	17.45.0	30	79	1,74378	0	0,94	1,04	1,89	2,08	2,36
	18.20.0	30	80	0,85886	239	0,94	1,13	1,89	2,08	2,26
	18.55.0	30	82	0,19707	3368	0,66	1,13	1,98	2,08	2,17
	19.30.0	30	82	0,19707	3368	0,85	1,23	1,89	2,08	2,64
	20.5.0	31	95	0	28246	1,13	1,13	1,98	2,17	2,45
	20.40.0	31	95	0	0	1,04	1,23	1,89	2,08	2,74
	21.15.0	31	95	0	0	1,04	1,13	1,98	2,17	2,64
	21.50.0	31	95	0	2	0,94	1,32	1,89	2,08	2,64
	22.24.0	31	95	0	2	1,13	1,13	1,79	2,08	2,17
	22.59.0	30	95	0	0	0,94	1,13	1,89	2,17	2,36
	23.35.0	30	95	0	0	0,85	1,13	1,89	2,17	2,64
27/03/20	0.11.0	29	95	0	0	0,94	1,13	1,89	2,17	2,45
	0.46.0	28	89	0	0	0,85	1,23	1,89	1,98	2,74
	1.22.0	27	88	0	0	0,85	1,23	1,89	2,08	2,55
	1.57.0	27	86	0	0	0,85	1,13	1,79	2,17	2,26
	2.31.0	27	87	0	0	0,94	1,13	1,89	1,98	2,55
	3.7.0	27	87	0	0	0,85	1,42	1,89	2,08	2,17
	3.42.0	26	88	0	0	0,85	1,23	1,79	2,17	2,74
	4.15.0	26	90	0	0	0,94	1,42	1,89	1,98	2,74
	4.49.0	26	91	0	0	1,04	1,04	1,79	2,08	2,36
	5.22.0	25	95	0	0	0,94	1,13	1,79	2,08	2,64
	5.57.0	26	93	0	0	0,85	1,13	1,79	1,98	2,26
	6.32.0	26	93	0	0	1,13	1,32	1,79	1,98	2,74
	7.6.0	25	89	0	0	1,13	1,13	1,79	1,89	2,74
	7.41.0	27	84	0,3123	0	0,75	1,23	1,79	1,98	2,74
	8.16.0	31	68	0,3123	0	1,04	1,13	1,7	1,98	2,64
	8.50.0	31	68	0,50307	0	0,94	1,13	1,7	1,79	2,36
	9.27.0	37	49	0,96618	0	0,94	1,13	1,7	1,98	1,6

DATA MONITORING ARUS BOCOR ISOLATOR										
Date	Time (Hour)	Temp. (°C)	Humidity (%)	UV mW/cm2	Rainfall mm/H	Type Insulators				
						Type A	Type B	Type C	Type D	Type E
	10.2.0	38	44	1,80761	0	0,94	1,13	1,89	1,98	2,74
	10.36.0	38	43	1,41332	0	0,85	1,13	1,7	2,08	2,74
	11.11.0	40	39	4,10922	0	0,94	1,23	1,79	2,08	2,55
	11.46.0	37	47	4,10922	0	0,94	1,32	1,89	2,08	2,74
	12.21.0	37	50	4,26633	0	0,94	1,04	1,89	1,98	2,74
	12.56.0	37	50	7,9959	0	0,85	1,13	1,79	1,89	2,74
	13.31.0	38	49	3,67438	0	0,85	1,32	1,79	1,89	2,36
	14.5.0	38	49	7,9959	0	0,85	1,04	1,7	2,08	2,26
	14.40.0	39	49	2,87204	0	0,94	1,42	1,89	2,17	2,17
	15.14.0	39	49	1,40205	0	1,04	1,42	1,89	2,08	2,74
	15.49.0	38	50	3,96032	0	0,75	1,13	1,89	2,17	2,64
	16.25.0	33	62	3,96032	0	1,04	1,23	1,89	2,08	2,17
	17.0.0	33	62	2,00864	0	1,04	1,04	1,7	2,08	2,55
	17.36.0	34	58	4,1	0	0,85	1,13	1,89	2,08	2,64
	18.11.0	33	65	2,24202	0	0,85	1,13	1,89	2,17	2,74
	18.45.0	33	65	2,24202	0	0,94	1,13	1,98	2,08	2,64
	19.19.0	30	77	0,01596	0	1,13	1,42	1,98	2,17	2,26
	19.54.0	30	77	0,01596	0	1,04	1,42	1,7	1,98	2,64
	20.29.0	30	79	0	0	1,13	1,32	1,98	2,08	2,64
	21.4.0	30	80	0	0	1,13	1,32	1,89	2,08	2,64
	21.39.0	30	82	0	0	1,04	1,23	1,7	2,08	2,45
	22.14.0	30	82	0	0	1,13	1,32	1,89	2,17	2,26
	22.49.0	30	95	0	0	1,23	1,23	1,89	2,17	2,26
	23.23.0	30	95	0	0	0,94	1,42	1,7	2,08	2,45
	23.57.0	30	95	0	0	0,94	1,32	1,79	2,08	2,26
28/03/20	0.32.0	29	95	0	0	1,04	1,23	1,89	2,17	2,64
	22.13.0	28	89	0	0	0,94	1,23	1,7	2,08	2,64
	22.48.0	27	88	0	10	0,85	1,32	1,98	2,08	1,7
	23.23.0	27	86	0	2	0,75	1,23	1,89	2,26	2,36
	23.58.0	27	87	0	2	0,94	1,32	1,89	2,26	1,6
29/03/20	0.32.0	27	87	0	7	0,66	1,23	1,89	2,26	2,08
	1.6.0	26	88	0	0	0,94	1,13	1,89	2,17	1,6
	1.41.0	26	90	0	0	0,66	1,13	1,79	2,17	2,45
	2.17.0	26	91	0	0	0,94	1,04	1,89	2,17	2,17
	2.52.0	25	95	0	0	0,85	1,04	1,79	2,17	2,55
	3.28.0	26	93	0	0	0,85	1,23	1,89	2,17	2,45
	4.2.0	26	93	0	0	0,94	1,13	1,89	2,26	2,55
	4.39.0	25	89	0	0	0,75	1,23	1,79	2,26	2,26
	5.15.0	27	84	0	0	0,75	1,13	1,79	2,26	2,17
	5.49.0	31	68	0	0	0,75	1,13	1,51	2,08	2,45

DATA MONITORING ARUS BOCOR ISOLATOR										
Date	Time (Hour)	Temp. (°C)	Humidity (%)	UV mW/cm2	Rainfall mm/H	Type Insulators				
						Type A	Type B	Type C	Type D	Type E
	6.25.0	31	68	0	0	1,04	1,13	1,89	2,08	2,17
	7.0.0	37	49	0,0019	0	0,85	1,23	1,89	2,17	2,26
	7.34.0	38	44	0,0019	0	1,04	1,13	1,98	2,08	2,17
	8.9.0	38	43	0,18199	0	0,85	1,23	1,89	2,17	2,36
	8.44.0	40	39	1,09649	0	0,94	1,13	1,79	2,17	2,55
	9.20.0	37	47	1,09649	0	1,13	1,13	1,98	2,08	2,55
	9.55.0	37	50	1,35871	0	0,94	1,13	1,7	2,08	2,55
	10.30.0	37	50	2,35329	0	0,94	1,23	1,89	2,17	2,26
	11.5.0	38	49	2,35329	0	1,04	1,13	1,89	2,08	2,74
	11.40.0	38	49	5,1918	0	0,94	1,13	1,79	2,08	2,45
	12.14.0	39	49	7,43616	0	0,94	1,23	1,98	2,17	2,74
	12.49.0	39	49	7,43616	0	0,94	1,13	1,98	2,17	2,64
	13.24.0	38	50	4,57233	0	0,85	1,13	1,7	2,08	2,36
	13.59.0	33	62	3,19619	0	0,85	1,13	1,98	1,98	2,26
	14.34.0	33	62	3,15271	0	1,04	1,23	1,79	2,08	2,74
	15.9.0	34	58	1,99649	0	0,94	1,23	1,98	2,08	2,08
	15.44.0	33	65	4,86969	0	0,85	1,23	1,89	2,17	2,36
	16.19.0	33	65	3,48404	0	1,13	1,32	1,89	2,08	2,26
	16.54.0	30	77	2,0511	0	0,94	1,13	1,98	2,17	2,74
	17.29.0	30	77	1,69004	0	0,85	1,13	1,89	2,17	2,74
	18.4.0	30	79	1,02387	0	0,94	1,13	1,89	2,08	2,36
	18.39.0	30	80	1,02387	0	1,23	1,13	1,89	2,17	2,74
	19.14.0	30	82	0,01318	0	0,85	1,32	1,79	2,17	2,36
	19.49.0	30	82	0,01318	0	0,85	1,23	1,98	1,98	2,17
	20.24.0	31	95	0	0	0,85	1,23	1,98	1,98	2,26
	20.59.0	30	95	0	0	1,04	1,13	1,79	2,08	2,55
	21.33.0	30	95	0	0	0,94	1,32	1,98	2,17	2,64
	22.8.0	30	95	0	0	0,85	1,23	1,89	1,89	2,74
	22.43.0	30	95	0	0	1,04	1,13	1,89	2,08	2,74
	23.19.0	30	95	0	0	0,94	1,13	1,89	2,08	2,55
	23.54.0	29	95	0	0	1,13	1,13	1,89	2,08	2,36
30/03/20	0.28.0	29	95	0	0	1,04	1,13	1,98	2,17	2,45
	1.4.0	28	89	0	0	0,94	1,13	1,98	2,17	2,36
	1.39.0	27	88	0	0	0,94	1,32	1,79	2,08	2,74
	2.14.0	27	86	0	0	1,04	1,23	1,89	2,08	2,08
	2.49.0	27	87	0	0	1,04	1,23	1,98	2,17	2,55
	3.25.0	27	87	0	0	1,04	1,32	1,7	2,17	2,64
	4.0.0	26	88	0	0	0,94	1,32	1,6	1,98	2,36
	4.35.0	26	90	0	0	0,94	1,23	1,98	2,08	2,36
	5.9.0	26	91	0	0	0,94	1,13	1,79	2,17	2,64

DATA MONITORING ARUS BOCOR ISOLATOR										
Date	Time (Hour)	Temp. (°C)	Humidity (%)	UV mW/cm2	Rainfall mm/H	Type Insulators				
						Type A	Type B	Type C	Type D	Type E
	5.43.0	25	95	0	0	0,94	1,23	1,79	1,98	2,74
	6.16.0	26	93	0	0	0,94	1,13	1,89	2,08	2,74
	6.51.0	26	93	0	0	1,04	1,23	1,89	1,98	2,45
	7.25.0	25	89	0	0	0,94	1,42	1,7	1,89	2,26
	8.0.0	27	84	0,10249	0	1,13	1,23	1,7	1,89	2,64
	8.34.0	31	68	0,4123	0	0,94	1,23	1,79	2,08	2,74
	9.8.0	31	68	0,46018	0	0,94	1,23	1,7	1,89	2,26
	9.44.0	37	49	0,46018	0	1,04	1,42	1,79	1,98	2,74
	10.19.0	38	44	0,58653	0	1,13	1,23	1,79	1,98	1,79
	10.54.0	38	43	0,58653	0	1,04	1,32	1,79	1,98	2,64
	11.29.0	40	39	7,27072	0	1,04	1,32	1,89	2,08	2,74
	12.4.0	37	47	0,37189	0	1,13	1,13	1,7	2,08	1,79
	12.39.0	37	50	1,22445	18	1,04	1,23	1,79	1,98	2,74
	13.14.0	37	50	2,36061	1	1,04	1,13	1,89	2,17	2,83
	13.49.0	38	49	1,78668	0	1,04	1,23	1,89	2,17	2,74
	14.24.0	38	49	1,51977	1	1,04	1,23	1,79	2,08	2,74
	14.59.0	39	49	1,51977	1	1,04	1,32	1,79	2,08	2,74
	15.35.0	39	49	1,7183	0	0,85	1,32	1,89	1,98	2,74
	16.11.0	38	50	0,73148	0	1,04	1,23	1,89	2,08	2,55
	16.46.0	33	62	0,46984	0	0,94	1,23	1,79	2,08	1,98
	17.21.0	33	62	0,46984	0	1,04	1,23	1,89	2,08	2,36
	17.56.0	34	58	0,40059	0	0,94	1,23	1,79	1,98	2,64
	18.31.0	33	65	0,33968	0	0,85	1,32	1,79	2,08	2,64
	19.5.0	33	65	0,0243	0	1,04	1,23	1,79	2,08	2,17
	19.40.0	30	77	0,0243	0	1,04	1,23	1,89	2,08	1,89
	20.15.0	30	77	0	0	0,85	1,32	1,79	1,98	2,08
	20.50.0	30	79	0	0	1,04	1,32	1,6	1,89	2,74
	21.25.0	30	80	0	0	0,94	1,42	1,79	1,89	2,36
	22.0.0	30	82	0	0	0,94	1,42	1,79	2,08	2,26
	22.35.0	30	82	0	0	0,85	1,23	1,79	2,08	2,74
	23.9.0	28	95	0	0	0,94	1,23	1,7	1,98	2,64
	23.44.0	28	95	0	0	0,94	1,13	1,7	1,98	2,55
31/03/20	0.20.0	28	95	0	0	0,94	1,23	1,89	1,89	2,64
	0.56.0	27	95	0	0	0,85	1,32	1,7	1,98	2,74
	1.31.0	27	95	0	0	1,04	1,32	1,51	1,79	2,74
	2.7.0	27	95	0	0	0,94	1,32	1,89	1,98	2,17
	2.42.0	29	95	0	0	0,94	1,32	1,7	1,98	2,83
	3.17.0	28	89	0	0	1,04	1,23	1,79	1,98	2,74
	3.52.0	27	88	0	0	0,94	1,32	1,7	1,89	2,64
	4.26.0	27	86	0	0	1,04	1,23	1,79	1,98	2,55

DATA MONITORING ARUS BOCOR ISOLATOR										
Date	Time (Hour)	Temp. (°C)	Humidity (%)	UV mW/cm2	Rainfall mm/H	Type Insulators				
						Type A	Type B	Type C	Type D	Type E
	5.1.0	27	87	0	0	0,85	1,23	1,7	2,08	2,74
	5.35.0	27	87	0	0	0,94	1,32	1,89	1,89	2,64
	6.9.0	26	88	0	0	1,04	1,23	1,89	2,17	2,74
	6.45.0	26	90	0	0	0,94	1,23	1,79	2,17	2,74
	7.20.0	26	91	0,06428	0	0,94	1,13	1,89	2,08	2,64
	7.55.0	25	95	0,29517	0	0,85	1,32	1,98	2,08	2,55
	8.29.0	26	93	0,40791	0	1,04	1,23	1,89	1,89	2,36
	9.5.0	26	93	0,40791	0	0,94	1,23	1,7	1,98	2,74
	9.40.0	25	89	0,53924	0	0,94	1,32	1,89	2,17	2,74
	10.15.0	27	84	0,53924	0	0,94	1,23	1,7	2,08	2,83
	10.50.0	31	68	0,6183	0	0,94	1,32	1,79	2,08	2,74
	11.25.0	31	68	5,97408	0	0,94	1,13	1,89	1,98	2,64
	12.0.0	37	49	7,63236	0	1,23	1,23	1,7	2,08	2,36
	12.34.0	38	44	7,5612	0	1,04	1,32	1,7	1,98	2,74
	13.8.0	38	43	1,69107	0	0,94	1,13	1,51	1,98	2,64
	13.43.0	40	39	1,69107	0	0,85	1,13	1,7	2,08	2,74
	14.18.0	37	47	2,29034	14	1,04	1,23	1,79	2,08	2,26
	14.53.0	37	50	2,29034	14	1,13	1,04	1,79	2,08	2,26
	15.28.0	37	50	7,9959	0	0,85	1,23	1,89	2,17	2,36
	16.3.0	38	49	2,4407	0	1,13	1,32	1,7	1,98	2,26
	16.38.0	38	49	2,4407	0	1,04	1,32	1,98	2,17	2,55
	17.12.0	39	49	3,04583	0	0,85	1,23	1,89	2,17	1,98
	17.47.0	39	49	3,04583	0	1,13	1,04	1,98	2,17	2,55
	18.21.0	38	50	1,16003	0	1,04	1,04	1,89	2,08	2,17
	18.56.0	33	62	1,16003	0	1,13	1,13	1,98	2,17	2,36
	19.31.0	33	62	0,16881	0	0,85	1,23	1,89	2,17	2,17
	20.6.0	34	58	0	0	0,94	1,23	1,7	2,17	2,45
	20.41.0	33	65	0	0	1,13	1,42	1,89	2,08	1,79
	21.15.0	33	65	0	0	1,04	1,23	1,7	2,08	2,64
	21.50.0	30	77	0	0	1,13	1,23	1,98	2,17	2,08
	22.24.0	30	77	0	0	1,13	1,23	1,79	2,08	2,45
	22.59.0	30	79	0	0	0,85	1,23	1,98	2,17	2,26
	23.33.0	30	80	0	0	0,85	1,13	1,79	2,08	2,55
01/04/20	0.8.0	30	82	0	0	1,04	1,13	1,79	2,17	2,26
	0.43.0	30	82	0	1	1,13	1,04	1,89	2,08	2,45
	1.18.0	29	95	0	0	0,85	1,23	1,89	1,98	1,79
	1.52.0	28	89	0	0	1,13	1,32	1,89	1,89	2,64
	2.26.0	27	88	0	0	0,94	1,23	1,89	1,98	2,55
	3.1.0	27	86	0	0	0,94	1,23	1,89	2,17	2,26
	3.35.0	27	87	0	0	1,04	1,23	1,79	2,08	2,74

DATA MONITORING ARUS BOCOR ISOLATOR										
Date	Time (Hour)	Temp. (°C)	Humidity (%)	UV mW/cm2	Rainfall mm/H	Type Insulators				
						Type A	Type B	Type C	Type D	Type E
	4.10.0	27	87	0	0	0,94	1,23	1,79	1,98	2,64
	4.45.0	26	88	0	0	1,04	1,42	1,6	1,98	2,74
	5.19.0	26	90	0	0	1,13	1,23	1,89	1,89	2,55
	5.54.0	26	91	0	0	0,94	1,23	1,79	1,98	2,26
	6.29.0	25	95	0	0	0,94	1,42	1,7	1,79	2,64
	7.4.0	26	93	0	5	1,13	1,51	1,79	1,98	2,64
	7.39.0	26	93	0,00234	0	1,13	1,23	1,79	1,89	2,36
	8.14.0	25	89	0,45871	0	1,04	1,23	1,79	1,89	2,74
	8.49.0	27	84	1,39766	0	1,04	1,32	1,6	1,79	2,64
	9.25.0	31	68	0,94231	0	1,04	1,42	1,7	1,89	2,74
	10.0.0	31	68	0,94231	0	0,94	1,13	1,7	2,08	2,26
	10.34.0	37	49	1,04817	5	1,04	1,23	1,7	1,98	2,26
	11.9.0	38	44	1,97306	3	0,94	1,32	1,89	1,98	2,74
	11.44.0	38	43	1,52211	0	0,94	1,23	1,7	1,79	2,55
	12.19.0	40	39	2,37965	0	0,75	1,23	1,7	1,98	1,7
	12.54.0	37	47	3,02928	0	1,23	1,32	1,79	2,08	2,55
	13.28.0	37	50	3,16047	0	1,04	1,23	1,89	1,98	2,08
	14.3.0	37	50	3,1063	0	0,94	1,13	1,79	1,98	2,26
	14.38.0	38	49	3,11069	0	1,04	1,13	1,79	1,98	2,08
	15.13.0	38	49	4,48302	0	0,94	1,23	1,89	1,98	2,55
	15.48.0	39	49	2,90483	0	1,04	1,04	1,89	2,08	2,74
	16.21.0	39	49	2,59297	0	0,94	1,13	1,89	2,17	2,55
	16.56.0	38	50	2,59297	0	1,04	1,32	1,89	2,17	2,26
	17.30.0	33	62	1,89107	0	0,94	1,23	1,89	1,98	2,64
	18.4.0	33	62	1,89107	0	0,94	1,32	1,89	2,08	2,45
	18.39.0	34	58	0,3123	0	1,04	1,42	1,98	2,08	2,26
	19.15.0	33	65	0,01025	0	0,94	1,23	1,89	2,08	2,55
	19.49.0	33	65	0	0	1,13	1,13	1,89	1,98	2,45
	20.23.0	30	77	0	0	1,13	1,23	1,79	2,08	1,79
	20.58.0	30	77	0	0	0,94	1,13	1,89	1,98	2,74
	21.34.0	30	79	0	0	1,04	0,94	1,89	2,17	2,26
	22.8.0	30	80	0	0	0,85	1,04	1,79	1,98	2,55
	22.43.0	30	82	0	0	0,94	1,13	1,79	1,98	2,55
	23.16.0	30	82	0	0	1,04	1,23	1,89	1,98	2,55
	23.51.0	29	95	0	0	1,13	1,13	1,79	1,98	2,55
02/04/20	0.25.0	29	95	0	0	0,85	1,23	1,79	1,98	2,08
	1.0.0	28	89	0	0	1,13	1,32	1,79	2,08	1,98
	1.34.0	27	88	0	0	1,13	1,23	1,89	1,98	1,79
	2.9.0	27	86	0	0	1,04	1,23	1,7	1,98	2,55
	2.44.0	27	87	0	0	0,94	1,23	1,79	2,08	1,98

DATA MONITORING ARUS BOCOR ISOLATOR										
Date	Time (Hour)	Temp. (°C)	Humidity (%)	UV mW/cm2	Rainfall mm/H	Type Insulators				
						Type A	Type B	Type C	Type D	Type E
	3.19.0	27	87	0	0	1,13	1,13	1,79	2,08	2,64
	3.54.0	26	88	0	0	1,23	1,23	1,7	2,08	2,17
	4.29.0	26	90	0	0	1,13	1,23	1,79	1,98	2,45
	5.4.0	26	91	0	0	0,94	1,04	1,7	2,08	2,36
	5.39.0	25	95	0	0	0,85	1,13	1,79	2,08	2,36
	6.14.0	26	93	0	0	1,13	1,23	1,51	1,98	2,74
	6.49.0	26	93	0	0	1,13	1,32	1,7	1,98	2,26
	7.23.0	25	89	0	0	1,13	1,32	1,7	1,89	2,74
	7.57.0	27	84	0,30747	0	1,23	1,04	1,79	1,98	2,17
	8.32.0	31	68	0,30747	0	1,13	1,42	1,79	2,08	2,26
	9.7.0	31	68	0,50791	0	1,23	1,42	1,7	1,98	2,64
	9.42.0	37	49	0,50791	0	0,94	1,32	1,79	2,08	2,55
	10.16.0	38	44	0,60615	0	1,04	1,42	1,7	2,08	2,55
	10.51.0	38	43	0,60615	0	1,13	1,32	1,7	1,89	1,79
	11.27.0	40	39	6,47672	0	1,04	1,13	1,6	1,89	2,55
	12.3.0	37	47	7,68419	0	1,04	1,42	1,89	1,89	2,55
	12.37.0	37	50	7,68419	0	0,85	1,42	1,89	2,08	2,64
	13.12.0	37	50	7,9959	0	1,13	1,23	1,42	2,08	2,55
	13.46.0	38	49	4,57438	0	1,04	1,32	1,98	2,08	1,98
	14.21.0	38	49	7,9959	0	1,04	1,04	1,89	2,17	2,08
	14.56.0	39	49	7,9959	0	0,94	1,04	1,89	2,17	2,55
	15.30.0	39	49	7,9959	0	1,13	1,23	1,89	2,17	2,26
	16.4.0	38	50	7,4104	0	0,94	1,32	1,89	2,17	2,74
	16.40.0	33	62	7,4104	0	1,23	1,23	1,89	2,08	2,64
	17.16.0	33	62	1,46896	0	0,85	1,32	1,89	2,08	2,26
	17.51.0	34	58	1,46896	0	0,94	1,13	1,98	2,17	2,55
	18.26.0	33	65	0,71391	0	0,85	0,94	1,89	2,17	2,74
	19.1.0	33	65	0,28638	0	0,94	1,13	1,89	2,17	2,08
	19.37.0	30	77	0,28638	0	0,94	1,13	1,98	2,17	2,64
	20.13.0	30	77	0	0	1,04	1,32	1,89	1,98	1,98
	20.47.0	30	79	0	0	0,85	1,04	1,89	2,08	2,08
	21.23.0	30	80	0	0	1,23	1,23	1,79	1,89	2,26
	21.58.0	30	82	0	0	0,75	1,13	1,89	1,98	2,55
	22.32.0	30	82	0	0	0,85	1,32	1,6	1,98	2,45
	23.6.0	30	95	0	0	1,04	1,32	1,89	2,08	2,64
	23.41.0	30	95	0	0	0,85	1,23	1,79	2,08	2,74
03/04/20	0.16.0	29	95	0	0	0,75	1,23	1,89	2,08	2,17
	0.51.0	28	89	0	0	0,94	1,04	1,89	1,98	2,64
	1.25.0	27	88	0	0	0,94	1,13	1,89	2,08	2,36
	2.0.0	27	86	0	0	1,04	1,32	1,98	2,08	2,45

DATA MONITORING ARUS BOCOR ISOLATOR										
Date	Time (Hour)	Temp. (°C)	Humidity (%)	UV mW/cm2	Rainfall mm/H	Type Insulators				
						Type A	Type B	Type C	Type D	Type E
	2.35.0	27	87	0	0	0,94	1,23	1,98	2,17	2,64
	3.9.0	27	87	0	0	0,75	1,23	1,98	2,17	2,64
	3.44.0	26	88	0	0	1,04	1,23	1,98	2,17	2,74
	4.18.0	26	90	0	0	0,94	1,13	1,89	1,98	2,74
	4.53.0	26	91	0	0	1,13	1,04	1,79	2,08	2,74
	5.28.0	25	95	0	0	1,04	1,32	1,89	2,17	2,45
	6.3.0	26	93	0	0	1,13	1,23	1,89	2,08	2,36
	6.38.0	26	93	0	0	1,13	1,23	1,79	1,98	2,64
	7.13.0	25	89	0,0448	0	0,94	1,13	1,89	2,08	2,64
	7.48.0	27	84	0,28887	0	1,13	1,13	1,89	1,98	2,74
	8.23.0	31	68	0,28887	0	1,13	1,13	1,89	2,08	2,64
	8.59.0	31	68	0,49385	0	0,94	1,13	1,89	2,08	2,74
	9.34.0	37	49	0,49385	0	1,04	1,13	1,89	2,08	2,55
	10.8.0	38	44	0,6735	0	0,94	1,32	1,89	2,17	2,36
	10.42.0	38	43	5,46559	0	0,94	1,32	1,89	2,08	2,64
	11.17.0	40	39	7,37277	0	1,04	1,42	1,6	2,17	2,26
	11.52.0	37	47	0,653	0	0,94	1,13	1,98	2,08	2,26
	12.28.0	37	50	1,79063	0	0,85	1,32	1,89	2,08	2,74
	13.3.0	37	50	1,6896	0	1,13	1,23	1,89	2,17	2,64
	13.38.0	38	49	3,35578	0	1,04	1,23	1,79	2,08	2,55
	14.13.0	38	49	1,45432	0	1,13	1,13	1,98	2,08	2,74
	14.48.0	39	49	1,57394	1	1,04	1,23	1,89	2,17	2,64
	15.25.0	39	49	7,9959	0	1,04	1,32	1,79	2,17	2,74
	16.0.0	38	50	7,98331	0	1,13	1,04	1,79	2,17	2,64
	16.34.0	33	62	7,98331	0	0,94	1,23	1,89	2,08	2,64
	17.10.0	33	62	3,89546	0	0,94	1,13	1,89	2,08	2,64
	17.45.0	34	58	3,89546	0	0,94	1,23	1,89	2,08	2,74
	18.20.0	33	65	2,1448	0	0,94	1,32	1,89	2,17	2,64
	18.55.0	33	65	0,22592	0	0,85	1,23	1,89	2,08	2,74
	19.30.0	30	77	0,22592	0	0,85	1,23	1,89	2,17	2,36
	20.4.0	30	77	0	0	0,94	1,23	1,89	2,08	2,74
	20.39.0	30	79	0	0	1,04	1,13	1,89	2,08	2,74
	21.15.0	30	80	0	0	0,85	1,32	1,98	2,08	2,74
	21.49.0	30	82	0	0	1,23	1,23	1,79	2,17	2,74
	22.23.0	30	82	0	0	1,04	1,32	1,98	2,17	2,45
	22.59.0	30	95	0	0	0,94	1,23	1,89	2,17	2,36
	23.33.0	30	95	0	0	0,94	1,13	1,89	2,17	2,26
04/04/20	0.8.0	30	95	0	0	1,13	1,13	1,98	2,08	2,36
	0.43.0	29	95	0	0	1,04	1,13	1,7	2,08	2,26
	1.18.0	28	89	0	0	1,04	1,13	1,89	2,08	2,74

DATA MONITORING ARUS BOCOR ISOLATOR										
Date	Time (Hour)	Temp. (°C)	Humidity (%)	UV mW/cm2	Rainfall mm/H	Type Insulators				
						Type A	Type B	Type C	Type D	Type E
	1.52.0	27	88	0	0	1,13	1,13	1,89	2,08	2,36
	2.27.0	27	86	0	0	1,04	1,32	1,89	2,08	2,26
	3.1.0	27	87	0	0	0,85	1,23	1,89	2,08	2,36
	3.35.0	27	87	0	0	1,04	1,23	1,89	1,98	2,64
	4.10.0	26	88	0	0	1,04	1,13	1,89	1,98	2,36
	4.46.0	26	90	0	0	1,13	1,13	1,7	2,17	2,74
	5.21.0	26	91	0	0	1,04	1,13	1,79	2,08	2,74
	5.56.0	25	95	0	0	1,13	1,23	1,89	1,98	2,74
	6.31.0	26	93	0	0	1,13	1,32	1,98	2,08	2,55
	7.6.0	26	93	0,0224	0	0,94	1,23	1,7	2,17	2,74
	7.40.0	25	89	0,27657	0	0,94	1,13	1,89	2,08	2,17
	8.15.0	27	84	0,41669	0	1,13	1,23	1,89	2,08	2,17
	8.49.0	31	68	0,49136	0	0,85	1,23	1,89	2,17	2,36
	9.25.0	31	68	0,49136	0	1,13	1,32	1,98	2,08	2,17
	10.0.0	37	49	0,63587	0	1,23	1,32	1,89	1,89	1,7
	10.36.0	38	44	0,7896	0	1,04	1,32	1,79	2,17	2,45
	11.10.0	38	43	0,7896	0	1,13	1,32	1,89	2,08	2,83
	11.44.0	40	39	5,54217	0	0,94	1,32	1,79	2,17	2,26
05/04/20	12.3.0	37	47	6,059	0	1,23	1,51	1,98	2,17	2,64
	12.38.0	37	50	0,78814	0	1,23	1,6	1,98	2,17	2,08
	13.13.0	37	50	2,51098	2	1,13	1,51	1,98	2,08	2,08
	13.48.0	38	49	2,51098	2	1,04	1,13	1,89	2,17	2,08
	14.22.0	38	49	7,9959	0	1,13	1,23	1,89	2,17	2,64
	14.56.0	39	49	7,9959	0	0,94	1,23	1,89	2,17	2,45
	15.32.0	39	49	7,47716	0	0,94	1,23	1,98	2,17	2,64
	16.8.0	38	50	7,9959	0	1,04	1,32	1,98	2,08	2,45
	16.43.0	33	62	7,29663	0	1,32	1,42	1,89	1,98	2,55
	17.18.0	33	62	6,30835	0	1,13	1,42	1,79	2,17	2,45
	17.53.0	34	58	3,91596	0	1,13	1,42	1,79	2,08	2,45
	18.30.0	33	65	3,91596	0	1,04	1,42	1,98	2,08	2,36
	19.6.0	33	65	0,07555	0	1,04	1,42	1,98	2,17	2,45
	19.41.0	30	77	0	0	0,94	1,13	1,79	2,26	2,36
	20.15.0	30	77	0	0	1,04	1,32	1,89	2,17	2,36
	20.50.0	30	79	0	0	1,04	1,23	1,79	2,08	1,98
	21.24.0	30	80	0	0	1,04	1,23	1,98	2,08	2,36
	21.58.0	30	82	0	0	1,04	1,23	1,79	2,17	2,55
	22.34.0	30	82	0	0	0,94	1,23	1,89	2,08	2,45
	23.8.0	30	95	0	0	0,94	1,32	1,89	2,08	2,45
	23.43.0	30	95	0	0	1,04	1,13	1,89	2,17	2,36
06/04/20	0.17.0	29	95	0	0	0,94	1,23	1,89	2,17	2,55

DATA MONITORING ARUS BOCOR ISOLATOR										
Date	Time (Hour)	Temp. (°C)	Humidity (%)	UV mW/cm2	Rainfall mm/H	Type Insulators				
						Type A	Type B	Type C	Type D	Type E
	0.51.0	28	89	0	0	1,04	1,13	1,89	2,08	2,17
	1.26.0	27	88	0	0	0,85	1,13	1,98	2,26	2,17
	2.0.0	27	86	0	0	0,85	1,23	1,98	2,17	2,36
	2.35.0	27	87	0	0	1,04	1,23	1,89	2,17	2,45
	3.10.0	27	87	0	0	1,32	1,6	1,89	2,17	2,55
	3.45.0	26	88	0	0	1,32	1,42	1,89	2,17	1,51
	4.19.0	26	90	0	0	1,23	1,42	1,98	2,08	2,45
	4.54.0	26	91	0	0	1,32	1,42	1,89	2,17	2,55
	5.29.0	25	95	0	0	1,23	1,6	1,89	2,17	2,17
	6.4.0	26	93	0	0	1,23	1,51	1,89	2,08	2,08
	6.39.0	26	93	0	0	1,13	1,42	1,79	2,08	2,45
	7.14.0	25	89	0,06237	0	1,13	1,51	1,89	2,17	1,6
	7.48.0	27	84	0,06237	0	1,32	1,51	1,98	2,08	2,45
	8.22.0	31	68	0,38741	0	1,23	1,51	1,89	2,17	2,08
	8.56.0	31	68	0,44656	0	1,13	1,6	1,98	2,08	2,45
	9.31.0	37	49	0,49136	0	1,32	1,6	1,89	1,98	1,6
	10.6.0	38	44	0,56603	0	1,32	1,51	1,89	2,17	2,08
	10.42.0	38	43	0,56603	0	1,23	1,42	1,89	2,08	2,26
	11.18.0	40	39	6,53441	0	1,13	1,51	1,98	2,08	2,55
	11.52.0	37	47	6,53441	0	1,23	1,51	1,89	2,17	2,45
	12.27.0	37	50	7,6817	0	1,23	1,51	1,98	2,17	1,89

Lampiran 4

Analisa Statistik pada Isolator Polymer dan Porselen pada Hari tanpa Hujan

A. Isolator Polimer

a. Type A (Isolator Suspensi Type S25RSTCII)

Descriptive Statistics

	Mean	Std. Deviation	N
Arus Bocor	0,8617	0,13693	41
Temperature	31,56	4,780	41
Kelembaban	71,07	17,999	41

Correlations

		Arus Bocor	Temperatur	Kelembaban	UV
Pearson Correlation	Arus Bocor	1,000	0,744	-0,715	0,519
	Temperatur	0,744	1,000	-0,979	0,856
	Kelembaban	-0,715	-0,979	1,000	-0,852
	UV	0,519	0,856	-0,852	1,000
Sig. (1-tailed)	Arus Bocor		0,000	0,000	0,000
	Temperatur	0,000		0,000	0,000
	Kelembaban	0,000	0,000		0,000
	UV	0,000	0,000	0,000	
N	Arus Bocor	41	41	41	41
	Temperatur	41	41	41	41
	Kelembaban	41	41	41	41
	UV	41	41	41	41

Model Summary^b

Model	R	R Square	Adjusted R Square	Std. Error of the Estimate	Durbin-Watson
1	,780 ^a	0,608	0,577	0,08910	1,563

a. Predictors: (Constant), UV, Kelembaban, Temperatur

b. Dependent Variable: Arus Bocor

ANOVA^a

Model		Sum of Squares	df	Mean Square	F	Sig.
1	Regression	0,456	3	0,152	19,155	,000 ^b
	Residual	0,294	37	0,008		
	Total	0,750	40			

a. Dependent Variable: Arus Bocor

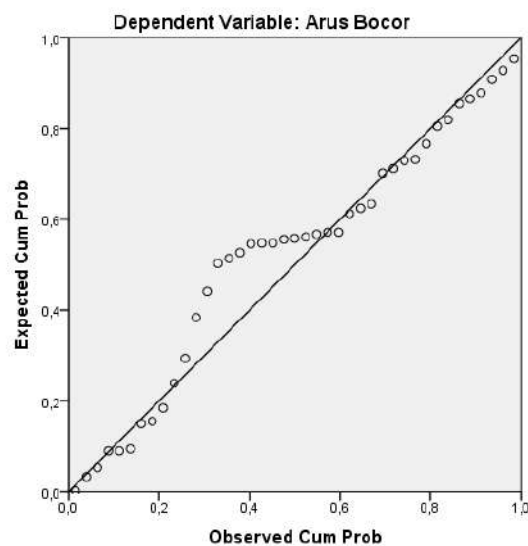
b. Predictors: (Constant), UV, Kelembaban, Temperatur

Coefficients^a

Model		Unstandardized Coefficients		Standardized Coefficients	t	Sig.	Collinearity Statistics	
		B	Std. Error	Beta			Tolerance	VIF
1	(Constant)	-0,370	0,728		-0,509	0,614		
	Temperatur	0,037	0,015	1,297	2,512	0,017	0,040	25,205
	Kelembaban	0,001	0,004	0,184	0,360	0,721	0,041	24,559
	UV	-0,018	0,008	-0,436	-2,167	0,037	0,262	3,818

a. Dependent Variable: Arus Bocor

Normal P-P Plot of Regression Standardized Residual



b. Type B (Polimer Line Insulator type L25ASTK41)

Descriptive Statistics

	Mean	Std. Deviation	N
Arus Bocor	0,9554	0,15331	41
Temperatur	31,56	4,780	41
Kelembaban	71,07	17,999	41
UV	2,227880	3,3047584	41

Correlations

		Arus Bocor	Temperatur	Kelembaban	UV
Pearson Correlation	Arus Bocor	1,000	0,907	-0,860	0,881
	Temperatur	0,907	1,000	-0,979	0,856
	Kelembaban	-0,860	-0,979	1,000	-0,852
	UV	0,881	0,856	-0,852	1,000
Sig. (1-tailed)	Arus Bocor		0,000	0,000	0,000
	Temperatur	0,000		0,000	0,000
	Kelembaban	0,000	0,000		0,000
	UV	0,000	0,000	0,000	
N	Arus Bocor	41	41	41	41
	Temperatur	41	41	41	41
	Kelembaban	41	41	41	41
	UV	41	41	41	41

Model Summary^b

Model	R	R Square	Adjusted R Square	Std. Error of the Estimate	Durbin-Watson
1	,945 ^a	0,892	0,884	0,05232	1,507

a. Predictors: (Constant), UV, Kelembaban, Temperatur

b. Dependent Variable: Arus Bocor

ANOVA^a

Model		Sum of Squares	df	Mean Square	F	Sig.
1	Regression	0,839	3	0,280	102,142	,000 ^b
	Residual	0,101	37	0,003		
	Total	0,940	40			

a. Dependent Variable: Arus Bocor

b. Predictors: (Constant), UV, Kelembaban, Temperatur

Coefficients^a

Model		Unstandardized Coefficients		Standardized Coefficients	t	Sig.	Collinearity Statistics	
		B	Std. Error	Beta			Tolerance	VIF
1	(Constant)	-0,961	0,427		-2,249	0,031		
	Temperatur	0,043	0,009	1,351	4,986	0,000	0,040	25,205
	Kelembaban	0,007	0,002	0,833	3,117	0,004	0,041	24,559
	UV	0,020	0,005	0,435	4,126	0,000	0,262	3,818

a. Dependent Variable: Arus Bocor.

c. Type E (ANSI Tumpu FPQ3-24).

Descriptive Statistics

	Mean	Std. Deviation	N
Arus Bocor	1,1473	0,29727	41
Temperatur	31,56	4,780	41
Kelembaban	71,07	17,999	41
UV	2,227880	3,3047584	41

Correlations

		Arus Bocor	Temperatur	Kelembaban	UV
Pearson Correlation	Arus Bocor	1,000	-0,675	0,753	-0,727
	Temperatur	-0,675	1,000	-0,979	0,856
	Kelembaban	0,753	-0,979	1,000	-0,852

	UV	-0,727	0,856	-0,852	1,000
Sig. (1-tailed)	Arus Bocor		0,000	0,000	0,000
	Temperatur	0,000		0,000	0,000
	Kelembaban	0,000	0,000		0,000
	UV	0,000	0,000	0,000	
N	Arus Bocor	41	41	41	41
	Temperatur	41	41	41	41
	Kelembaban	41	41	41	41
	UV	41	41	41	41

Model Summary^b

Model	R	R Square	Adjusted R Square	Std. Error of the Estimate	Durbin-Watson
1	,845 ^a	0,714	0,691	0,16537	1,673

a. Predictors: (Constant), UV, Kelembaban, Temperatur

b. Dependent Variable: Arus Bocor

ANOVA^a

Model		Sum of Squares	df	Mean Square	F	Sig.
1	Regression	2,523	3	0,841	30,752	,000 ^b
	Residual	1,012	37	0,027		
	Total	3,535	40			

a. Dependent Variable: Arus Bocor

b. Predictors: (Constant), UV, Kelembaban, Temperatur

Coefficients^a

Model		Unstandardized Coefficients		Standardized Coefficients	t	Sig.	Collinearity Statistics	
		B	Std. Error	Beta			Tolerance	VIF
1	(Constant)	-4,616	1,351		-3,416	0,002		
	Temperatur	0,108	0,027	1,742	3,944	0,000	0,040	25,205
	Kelembaban	0,034	0,007	2,075	4,759	0,000	0,041	24,559
	UV	-0,040	0,015	-0,450	-2,619	0,013	0,262	3,818

a. Dependent Variable: Arus Bocor

B. Isolator Porselen

a. Type C (Isolator Suspensi ANSI 52-5)

Descriptive Statistics			
	Mean	Std. Deviation	N
Arus Bocor	1,6078	0,27079	41
Temperatur	31,56	4,780	41
Kelembaban	71,07	17,999	41
UV	2,227880	3,3047584	41

Correlations

		Arus Bocor	Temperatur	Kelembaban	UV
Pearson Correlation	Arus Bocor	1,000	-0,842	0,874	-0,741
	Temperatur	-0,842	1,000	-0,979	0,856
	Kelembaban	0,874	-0,979	1,000	-0,852
	UV	-0,741	0,856	-0,852	1,000
Sig. (1-tailed)	Arus Bocor		0,000	0,000	0,000
	Temperatur	0,000		0,000	0,000
	Kelembaban	0,000	0,000		0,000
	UV	0,000	0,000	0,000	
N	Arus Bocor	41	41	41	41
	Temperatur	41	41	41	41
	Kelembaban	41	41	41	41
	UV	41	41	41	41

Model Summary^b

Model	R	R Square	Adjusted R Square	Std. Error of the Estimate	Durbin-Watson
1	,876 ^a	0,768	0,749	0,13559	1,413

a. Predictors: (Constant), UV, Kelembaban, Temperatur

b. Dependent Variable: Arus Bocor

ANOVA^a

Model	Sum of Squares	df	Mean Square	F	Sig.	Std. Error of the Estimate	R Square	
1	Regression	2,253	3	0,751	40,849	,000 ^b	0,13559	768
	Residual	0,680	37	0,018				
	Total	2,933	40					

a. Dependent Variable: Arus Bocor

b. Predictors: (Constant), UV, Kelembaban, Temperatur

Coefficients^a

Model		Unstandardized Coefficients		Standardized Coefficients	t	Sig.	Collinearity Statistics	
		B	Std. Error	Beta			Tolerance	VIF
1	(Constant)	-0,277	1,108		-0,250	0,804		
	Temperatur	0,019	0,023	0,340	0,855	0,398	0,040	25,205
	Kelembaban	0,018	0,006	1,196	3,049	0,004	0,041	24,559
	UV	-0,001	0,013	-0,012	-0,077	0,939	0,262	3,818

a. Dependent Variable: Arus Bocor

b. Type D (Line Post ANSI 57-3)

Descriptive Statistics

	Mean	Std. Deviation	N
Arus Bocor	1,2649	0,47575	41
Temperatur	31,56	4,780	41
Kelembaban	71,07	17,999	41
UV	2,227880	3,3047584	41

Model Summary^b

Model	R	R Square	Adjusted R Square	Std. Error of the Estimate	Durbin-Watson
1	,860 ^a	0,739	0,718	0,25265	1,790

a. Predictors: (Constant), UV, Kelembaban, Temperatur

b. Dependent Variable: Arus Bocor.

ANOVAa

Model		Sum of Squares	df	Mean Square	F	Sig.
1	Regression	6,692	3	2,231	34,943	,000 ^b
	Residual	2,362	37	0,064		
	Total	9,053	40			

a. Dependent Variable: Arus Bocor

b. Predictors: (Constant), UV, Kelembaban, Temperatur

Coefficients^a

Model		Unstandardized Coefficients		Standardized Coefficients	t	Sig.	Collinearity Statistics	
		B	Std. Error	Beta			Tolerance	VIF
1	(Constant)	0,333	2,064		0,161	0,873		
	Temperatur	-0,025	0,042	-0,249	-0,591	0,558	0,040	25,205
	Kelembaban	0,023	0,011	0,861	2,068	0,046	0,041	24,559
	UV	0,044	0,024	0,304	1,853	0,072	0,262	3,818

a. Dependent Variable: Arus Bocor

Lampiran 5

Analisa Statistik pada Isolator Polymer dan Porselen ketika Terjadi Hujan

A. Isolator Polimer

a. Type A (Isolator Suspensi Type S25RSTCII)

Descriptive Statistics

	Mean	Std. Deviation	N
Arus Bocor	0,7834	0,14815	41
Temperatur	32,02	5,525	41
Kelembaban	74,44	18,581	41
UV	3,0348068	3,68128063	41
Curah Hujan	0,93	1,723	41

Correlations

		Arus Bocor	Temperatur	Kelembaban	UV	Curah Hujan
Pearson Correlation	Arus Bocor	1,000	0,602	-0,575	0,641	0,292
	Temperatur	0,602	1,000	-0,962	0,883	0,636
	Kelembaban	-0,575	-0,962	1,000	-0,930	-0,624
	UV	0,641	0,883	-0,930	1,000	0,519
	Curah Hujan	0,292	0,636	-0,624	0,519	1,000
Sig. (1-tailed)	Arus Bocor		0,000	0,000	0,000	0,032
	Temperatur	0,000		0,000	0,000	0,000
	Kelembaban	0,000	0,000		0,000	0,000
	UV	0,000	0,000	0,000		0,000
	Curah Hujan	0,032	0,000	0,000	0,000	
N	Arus Bocor	41	41	41	41	41
	Temperatur	41	41	41	41	41
	Kelembaban	41	41	41	41	41
	UV	41	41	41	41	41
	Curah Hujan	41	41	41	41	41

Model Summary^b

Model	R	R Square	Adjusted R Square	Std. Error of the Estimate	Durbin-Watson
1	,680 ^a	0,462	0,403	0,11451	1,806

a. Predictors: (Constant), Curah Hujan, UV, Temperatur, Kelembaban

a. Dependent Variable: Arus Bocor.

ANOVA^a

Model		Sum of Squares	df	Mean Square	F	Sig.
1	Regression	0,406	4	0,101	7,738	,000 ^b
	Residual	0,472	36	0,013		
	Total	0,878	40			

a. Dependent Variable: Arus Bocor

b. Predictors: (Constant), Curah Hujan, UV, Temperatur, Kelembaban

Coefficients^a

Model		Unstandardized Coefficients		Standardized Coefficients	t	Sig.	Collinearity Statistics	
		B	Std. Error	Beta			Tolerance	VIF
1	(Constant)	-0,551	0,707		-0,779	0,441		
	Temperatur	0,022	0,012	0,811	1,785	0,083	0,072	13,805
	Kelembaban	0,007	0,005	0,917	1,583	0,122	0,044	22,474
	UV	0,033	0,014	0,816	2,401	0,022	0,129	7,739
	Curah Hujan	-0,006	0,014	-0,075	-0,463	0,646	0,571	1,752

a. Dependent Variable: Arus Bocor

b. Type B (Polimer Line Insulator type L25ASTK41)

c. Type E (ANSI Tumpu FPQ3-24).

Descriptive Statistics

	Mean	Std. Deviation	N
Arus Bocor	1,1946	0,61622	41
Temperatur	32,02	5,525	41
Kelembaban	74,44	18,581	41
UV	3,0348068	3,68128063	41
Curah Hujan	0,93	1,723	41

Model Summary^b

Model	R	R Square	Adjusted R Square	Std. Error of the Estimate	Durbin-Watson
1	,528 ^a	0,279	0,199	0,55161	2,497

a. Predictors: (Constant), Curah Hujan, UV, Temperatur, Kelembaban

b. Dependent Variable: Arus Bocor

ANOVA^a

Model		Sum of Squares	df	Mean Square	F	Sig.
1	Regression	4,235	4	1,059	3,480	,017 ^b
	Residual	10,954	36	0,304		
	Total	15,189	40			

a. Dependent Variable: Arus Bocor

b. Predictors: (Constant), Curah Hujan, UV, Temperatur, Kelembaban

Coefficients^a

Model		Unstandardized Coefficients		Standardized Coefficients	t	Sig.	Collinearity Statistics	
		B	Std. Error	Beta			Tolerance	VIF
1	(Constant)	4,860	3,404		1,428	0,162		
	Temperatur	-0,134	0,059	-1,204	-2,290	0,028	0,072	13,805
	Kelembaban	2,279E-05	0,022	0,001	0,001	0,999	0,044	22,474
	UV	0,179	0,066	1,072	2,723	0,010	0,129	7,739
	Curah Hujan	0,096	0,067	0,269	1,438	0,159	0,571	1,752

a. Dependent Variable: Arus Bocor

B. Isolator Porselen : a Type C

Descriptive Statistics

	Mean	Std. Deviation	N
Arus Bocor	1,7761	1,24482	41
Temperatur	32,02	5,525	41
Kelembaban	74,44	18,581	41
UV	3,0348068	3,68128063	41
Curah Hujan	0,93	1,723	41

ANOVA^a

Model		Sum of Squares	df	Mean Square	F	Sig.	Std. Error of the Estimate	R Square
1	Regression	19,195	4	4,799	4,037	,008 ^b	1,09022	0,3097
	Residual	42,788	36	1,189				
	Total	61,983	40					

a. Dependent Variable: Arus Bocor

b. Predictors: (Constant), Curah Hujan, UV, Temperatur, Kelembaban

Correlations

		Arus Bocor	Temperatur	Kelembaban	UV	Curah Hujan
Pearson Correlation	Arus Bocor	1,000	0,158	-0,071	-0,026	0,414
	Temperatur	0,158	1,000	-0,962	0,883	0,636
	Kelembaban	-0,071	-0,962	1,000	-0,930	-0,624
	UV	-0,026	0,883	-0,930	1,000	0,519
	Curah Hujan	0,414	0,636	-0,624	0,519	1,000
Sig. (1-tailed)	Arus Bocor		0,162	0,330	0,436	0,004
	Temperatur	0,162		0,000	0,000	0,000
	Kelembaban	0,330	0,000		0,000	0,000
	UV	0,436	0,000	0,000		0,000
	Curah Hujan	0,004	0,000	0,000	0,000	
N	Arus Bocor	41	41	41	41	41
	Temperatur	41	41	41	41	41
	Kelembaban	41	41	41	41	41
	UV	41	41	41	41	41
	Curah Hujan	41	41	41	41	41

Model Summary^b

Model	R	R Square	Adjusted R Square	Std. Error of the Estimate	Durbin-Watson
1	,556 ^a	0,310	0,233	1,09022	2,283

a. Predictors: (Constant), Curah Hujan, UV, Temperatur, Kelembaban

b. Dependent Variable: Arus Bocor

Coefficients^a

Model	Unstandardized Coefficients		Standardized Coefficients	t	Sig.	Collinearity Statistics		
	B	Std. Error	Beta			Tolerance	VIF	
1	(Constant)	-8,453	6,728		-1,257	0,217		
	Temperatur	0,202	0,116	0,894	1,738	0,091	0,072	13,805
	Kelembaban	0,051	0,044	0,765	1,165	0,252	0,044	22,474
	UV	-0,126	0,130	-0,372	-0,967	0,340	0,129	7,739
	Curah Hujan	0,372	0,132	0,515	2,810	0,008	0,571	1,752

a. Dependent Variable: Arus Bocor

a. Type D (Line Post ANSI 57-3)

Descriptive Statistics

	Mean	Std. Deviation	N
Arus Bocor	1,7471	0,52750	41
Temperatur	32,02	5,525	41
Kelembaban	74,44	18,581	41
UV	3,0348068	3,68128063	41
Curah Hujan	0,93	1,723	41

Correlations

		Arus Bocor	Temperatur	Kelembaban	UV	Curah Hujan
Pearson Correlation	Arus Bocor	1,000	0,666	-0,542	0,415	0,370
	Temperatur	0,666	1,000	-0,962	0,883	0,636
	Kelembaban	-0,542	-0,962	1,000	-0,930	-0,624
	UV	0,415	0,883	-0,930	1,000	0,519
	Curah Hujan	0,370	0,636	-0,624	0,519	1,000
Sig. (1-tailed)	Arus Bocor		0,000	0,000	0,003	0,009
	Temperatur	0,000		0,000	0,000	0,000
	Kelembaban	0,000	0,000		0,000	0,000
	UV	0,003	0,000	0,000		0,000
	Curah Hujan	0,009	0,000	0,000	0,000	
N	Arus Bocor	41	41	41	41	41

	Temperatur	41	41	41	41	41
	Kelembaban	41	41	41	41	41
	UV	41	41	41	41	41
	Curah Hujan	41	41	41	41	41

Model Summary^b

Model	R	R Square	Adjusted R Square	Std. Error of the Estimate	Durbin-Watson
1	,783 ^a	0,613	0,569	0,34611	0,763

a. Predictors: (Constant), Curah Hujan, UV, Temperatur, Kelembaban

b. Dependent Variable: Arus Bocor

ANOVA^a

Model		Sum of Squares	df	Mean Square	F	Sig.
1	Regression	6,817	4	1,704	14,227	,000 ^b
	Residual	4,313	36	0,120		
	Total	11,130	40			

a. Dependent Variable: Arus Bocor

b. Predictors: (Constant), Curah Hujan, UV, Temperatur, Kelembaban

Coefficients^a

Model		Unstandardized Coefficients		Standardized Coefficients	t	Sig.	Collinearity Statistics	
		B	Std. Error	Beta			Tolerance	VIF
1	(Constant)	-5,232	2,136		-2,450	0,019		
	Temperatur	0,181	0,037	1,894	4,914	0,000	0,072	13,805
	Kelembaban	0,020	0,014	0,692	1,406	0,168	0,044	22,474
	UV	-0,080	0,041	-0,555	-1,924	0,062	0,129	7,739
	Curah Hujan	-0,035	0,042	-0,115	-0,836	0,409	0,571	1,752

a. Dependent Variable: Arus Bocor

Lampiran 6

PERHITUNGAN ESDD DAN NSDD

A. Isolator Polimer Jenis Suspensi (type A)

Perhitungan Konsentrasi Garam dan ESDD pada Larutan Pencuci.

a. Sirip 1 dengan luas penampang $A = 197,722 \text{ cm}^2$

1. Menghitung Salinitas Larutan Pencuci

$$\alpha_{\theta} = 0,0101 \frac{mS}{cm} = 0,00101 S/m \text{ pada } t = 30^{\circ}C$$

Konduktivitas larutan pada temperatur $20^{\circ}C$ dihitung menggunakan persamaan 2.8 dengan factor koreksi $b = 0,019048$:

Nilai salinitas dari larutan pencuci adalah :

$$, S_a = D_1$$

2. Menghitung Salinitas Larutan Terpolutan pada permukaan atas isolator:

$$\alpha_{\theta} = 0,0118 \frac{mS}{cm} = 0,00118 S/m \text{ pada } t = 30^{\circ}C$$

Nilai salinitas dari larutan terpolutan adalah :

$$, S_a = D_1$$

Nilai $ESDD_t$ permukaan atas isolator dapat dihitung dengan volume air suling (aquades) 1500 ml, luas permukaan isolator bagian atas $197,722 \text{ cm}^2$.

mg/cm²

3. Menghitung Salinitas Larutan Pencuci Permukaan bawah Isolator

$$\alpha_{\theta} = 0,0101 \frac{mS}{cm} = 0,00101 S/m \text{ pada } t = 30^{\circ}C$$

Konduktivitas larutan pada temperatur 20 °C dihitung menggunakan persamaan 2.8 dengan factor koreksi b = 0,019048 :

Nilai salinitas dari larutan pencuci permukaan bawah isolator adalah :

$$, S_a = D_1$$

4. Menghitung Salinitas Larutan Terpolutan pada permukaan bawah isolator:

$$\alpha_{\theta} = 0,0143 \frac{mS}{cm} = 0,00143 S/m \text{ pada } t = 30^{\circ}C$$

Nilai salinitas dari larutan terpolutan adalah :

$$, S_a = D_1$$

Nilai ESDD_b permukaan bawah isolator dapat dihitung dengan volume air suling (aquades) 1500 ml, luas permukaan isolator bagian atas 197,722 cm².

$$mg/cm^2$$

$$\begin{aligned} \text{ESDD rata – rata} &= (ESDD_t * t + ESDD_b * A_b)/(A_t + A_b)+ \\ &= 0,02041 mg/cm^2 \end{aligned}$$

b. Sirip 2 (Sirip kecil) dengan Luas Penampang A = 131,82 cm²

1. Menghitung Salinitas Larutan Pencuci

$$\alpha_{\theta} = 0,0101 \frac{mS}{cm} = 0,00101 S/m \text{ pada } t = 30^{\circ}C$$

Konduktivitas larutan pada temperatur 20 °C dihitung menggunakan persamaan 2.8 dengan factor koreksi b = 0,019048 :

Nilai salinitas dari larutan pencuci adalah :

$$, \quad S_a = D_1$$

2. Menghitung Salinitas Larutan Terpolutan pada permukaan atas isolator:

$$\alpha_{\theta} = 0,0124 \frac{mS}{cm} = 0,00124 S/m \text{ pada } t = 30^{\circ}C$$

Nilai salinitas dari larutan terpolutan adalah :

$$, \quad S_a = D_1$$

Nilai ESDD_t permukaan atas isolator dapat dihitung dengan volume air suling (aquades) 1500 ml, luas permukaan isolator bagian atas 131,82 cm².

$$mg/cm^2$$

$$\begin{aligned} \text{ESDD rata - rata} &= (ESDD_t * t + ESDD_b * A_b) / (A_t + A_b) + \\ &= \mathbf{0,00251 mg/cm^2} \end{aligned}$$

3. Menghitung Salinitas Larutan Pencuci Permukaan bawah Isolator

$$\alpha_{\theta} = 0,0101 \frac{mS}{cm} = 0,00101 S/m \text{ pada } t = 30^{\circ}C$$

Konduktivitas larutan pada temperatur 20 °C dihitung menggunakan persamaan 2.8 dengan factor koreksi $b = 0,019048$:

Nilai salinitas dari larutan pencuci permukaan bawah isolator adalah :

$$, \quad S_a = D_1$$

4. Menghitung Salinitas Larutan Terpolutan pada permukaan bawah isolator:

$$\alpha_\theta = 0,0132 \frac{mS}{cm} = 0,00132 S/m \text{ pada } t = 30^\circ C$$

Nilai salinitas dari larutan terpolutan adalah :

$$, \quad S_a = D_1$$

Nilai $ESDD_b$ permukaan bawah isolator dapat dihitung dengan volume air suling (aquades) 1500 ml, luas permukaan isolator bagian atas $197,722 \text{ cm}^2$.

$$\text{mg/cm}^2$$

$$\begin{aligned} \text{ESDD rata - rata} &= (ESDD_t * t + ESDD_b * A_b) / (A_t + A_b) + \\ &= \mathbf{0,00251 \text{ mg/cm}^2} \end{aligned}$$

c. Sirip 3 (Analisisnya sama seperti sirip 1), sehingga nilai) :

$$\begin{aligned} \text{ESDD rata - rata} &= (ESDD_t * t + ESDD_b * A_b) / (A_t + A_b) + \\ &= \mathbf{0,00860 \text{ mg/cm}^2} \end{aligned}$$

d. Sirip 4 (Analisisnya sama seperti sirip 2), sehingga nilai) :

$$\begin{aligned} \text{ESDD rata - rata} &= (ESDD_t * t + ESDD_b * A_b) / (A_t + A_b) + \\ &= \mathbf{0,00284 \text{ mg/cm}^2} \end{aligned}$$

e. **Sirip 5 (Analisisnya sama seperti sirip 1), sehingga nilai :**

$$\begin{aligned} \text{ESDD rata - rata} &= (ESDD_t * t + ESDD_b * A_b) / (A_t + A_b) + \\ &= \mathbf{0,00345 \text{ mg/cm}^2} \end{aligned}$$

f. **Sirip 5 (Analisisnya sama seperti sirip 1), sehingga nilai :**

$$\begin{aligned} \text{ESDD rata - rata} &= (ESDD_t * t + ESDD_b * A_b) / (A_t + A_b) + \\ &= \mathbf{0,00286 \text{ mg/cm}^2} \end{aligned}$$

Untuk memperoleh ESDD solator polimer jenis line post (Type A) maka ESDD rata – rata dari enam sirip isolator tersebut diakumulasikan sehingga diperoleh :

$$\begin{aligned} \text{ESDD} &= 0,02041 + 0,00251 + 0,00860 + 0,00284 + 0,00345 + 0,00286 \\ &= \mathbf{0,041 \text{ mg/cm}^2} \end{aligned}$$

B. Perhitungan NSDD pada Isolator polimer jenis line post (Type B)

Polutan yang telah disaring menggunakan kertas saring kemudian dikeringkan, selanjutnya ditimbang untuk memperoleh nilai berat awal kertas saring dalam kondisi kering, w_i (gr) dan berat kertas saring yang mengandung bahan pencemar pada kondisi kering, w_f (gr), sehingga dari pengukuran NSDD diperoleh :

1. **Sirip 1 :**

Persamaan yang digunakan untuk menghitung nilai NSDD adalah :

$$\text{NSDD permukaan atas isolator} = 0,00910 \text{ gr/cm}^2$$

$$\text{NSDD permukaan bawah isolator} = 0,00422 \text{ gr/cm}^2$$

$$\text{NSDD Rata - Rata} = 0,005057606 \text{ mg/cm}^2$$

2. Sirip 2 :

NSDD permukaan atas isolator = $0,0091037 \text{ gr/cm}^2$

NSDD permukaan bawah isolator = $0,004214676 \text{ gr/cm}^2$

NSDD Rata – Rata = $0,006787847 \text{ mg/cm}^2$

3. Sirip 3 :

NSDD permukaan atas isolator = $0,008092 \text{ gr/cm}^2$

NSDD permukaan bawah isolator = $0,0061815 \text{ gr/cm}^2$

NSDD Rata – Rata = $0,007187 \text{ mg/cm}^2$

4. Sirip 4

NSDD permukaan atas isolator = $-0,0068278 \text{ gr/cm}^2$

NSDD permukaan bawah isolator = $0,040461 \text{ gr/cm}^2$

NSDD Rata – Rata = $0,015572123 \text{ mg/cm}^2$

5. Sirip 5 :

NSDD permukaan atas isolator = $0,02074 \text{ gr/cm}^2$

NSDD permukaan bawah isolator = $0,028659 \text{ gr/cm}^2$

NSDD Rata – Rata = $0,024489461 \text{ mg/cm}^2$

Dari ke lima sirip isolator polimer tersebut diperoleh NSDD = **$0,59 \text{ mg/cm}^2$**

Untuk perhitungan ESDD dan NSDD isolator type yang lain prinsipnya sama sama seperti Analisa pada type B.