

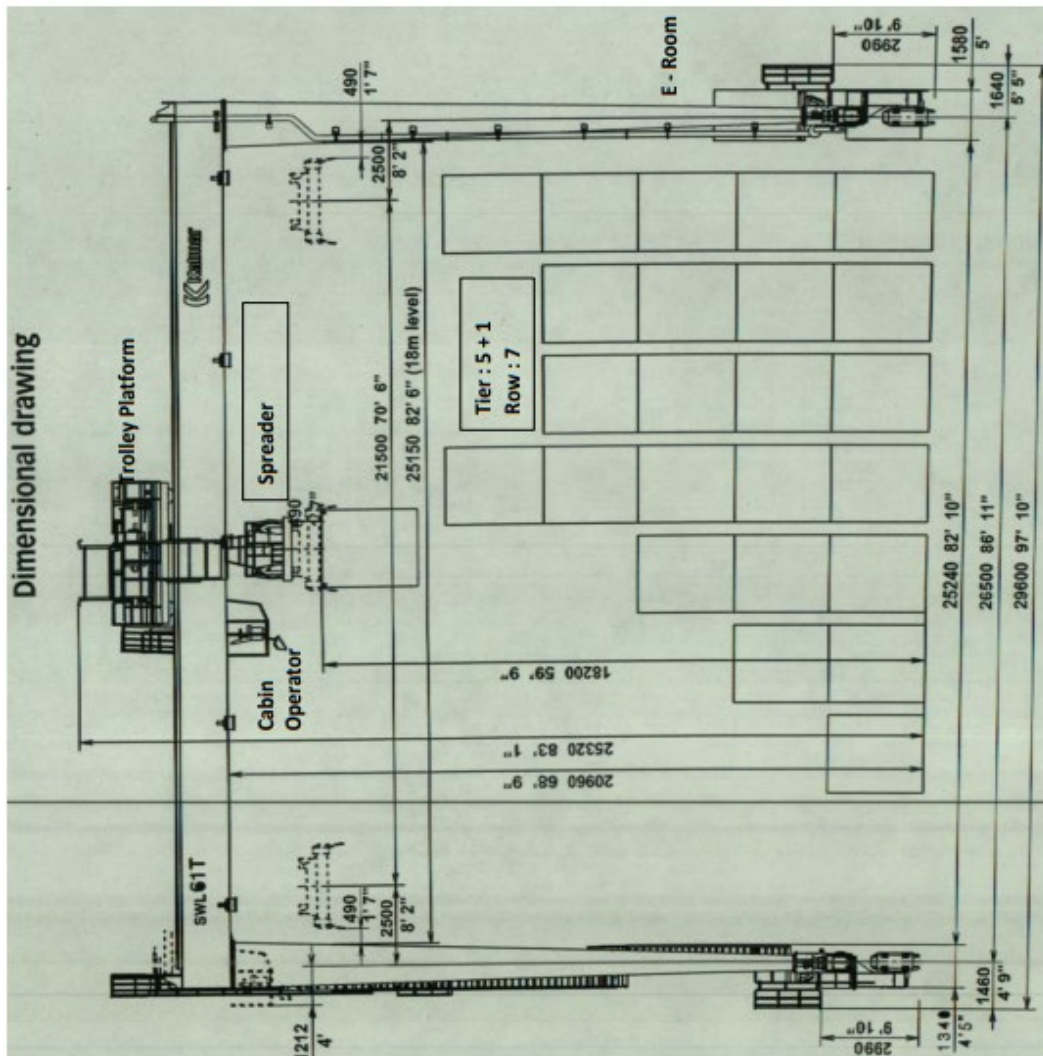
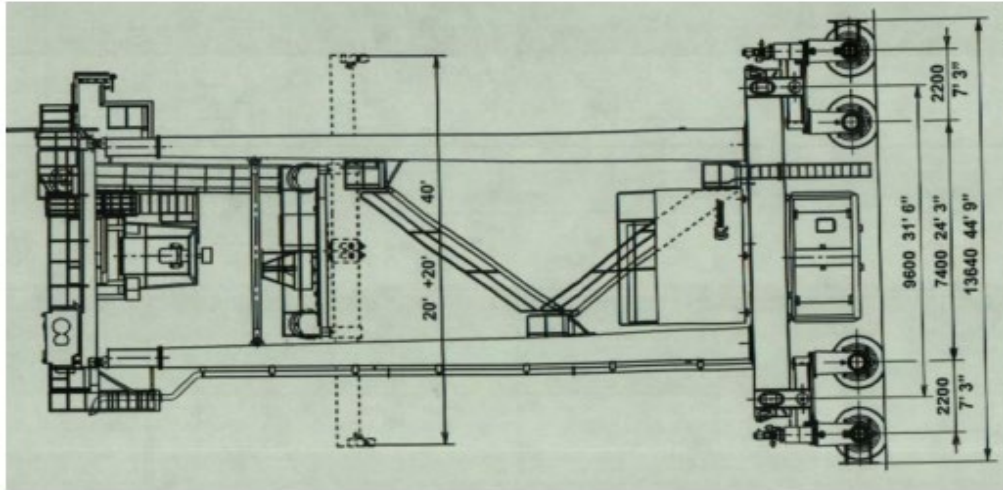
DAFTAR PUSTAKA

- Aditya, T. (2013). Research to study Variable Frequency Drive and its Energy Savings . *International Journal of Science and Research (IJSR)*, 253-256.
- Alfatah, M. I. (2021). *Implementasi Metode Pid Pada Sistem Kendali Flight Controller Untuk Uav: QuaDCopter Tim Robot Upn “Veteran” Yogyakarta*. YOGYAKARTA: Yogyakarta: Universitas Pembangunan Nasional “Veteran“.
- Ayman, M. (2022, 10 11). *Electrical Engineering Portal*. Retrieved from Variable Frequency Drive (VFD): Panel Configuration Schematics Troubleshooting: <https://electrical-engineering-portal.com/variable-frequency-drive-vfd-panel-configuration-schematics-troubleshooting>
- Bolonne, S. R., & Chandima, D. (2018). Modeling and Simulation of an Electromechanical System for a Hybrid Rubber Tire Gantry Crane. *2018 2nd International Conference On Electrical Engineering (EECon)*.
- Ceder, G., Hautier, G., Jain, A., & Ong, S. (2012). Recharging lithium battery research with first-principles methods. *MRS Bulletin*, 185-191.
- Corral-Vega, P. J., Fernández-Ramírez, L. M., & García-Triviño, P. (2019). Hybrid powertrain, energy management system and techno-economic assessment of rubber tyre gantry crane powered by diesel-electric generator and supercapacitor energy storage system. *Journal of Power Sources*, 311–320.
- Fattah, A. (2015). *Design and Analysis of Speed Control Using Hybrid PID-Fuzzy*. Michigan: Western Michigan University.
- Fauzi, R., Happiyanto, D. C., & Sulistijono, I. A. (2014). Pengembangan PI Controller Sebagai Kendali Respon Cepat Pada Motor Induksi 3 Fasa Berbasis Indirect Field Oriented Control (IFOC). *Simposium Nasional RAPI XIII - 2014 FT UMS*, 99-106.
- Jepry. (2010). *Perancangan Pengendali Pid Pada Proportional Valve*. Depok: Universitas Indonesia.
- Mahapatra, A. A. (2014). Regenerative Braking in Induction Motor Drives in . *2014 IEEE Students Conference on Electrical, Electronics and Computer Science*, 1-5.
- Mathworks. (2023, januari 19). *Average-Value Rectifier (Three-Phase)*. Retrieved from Mathworks: https://in.mathworks.com/help/sps/ref/averagevalue_rectifiertreephase.html?jsessionid=a421efe2735e5c7c36352a81d50d

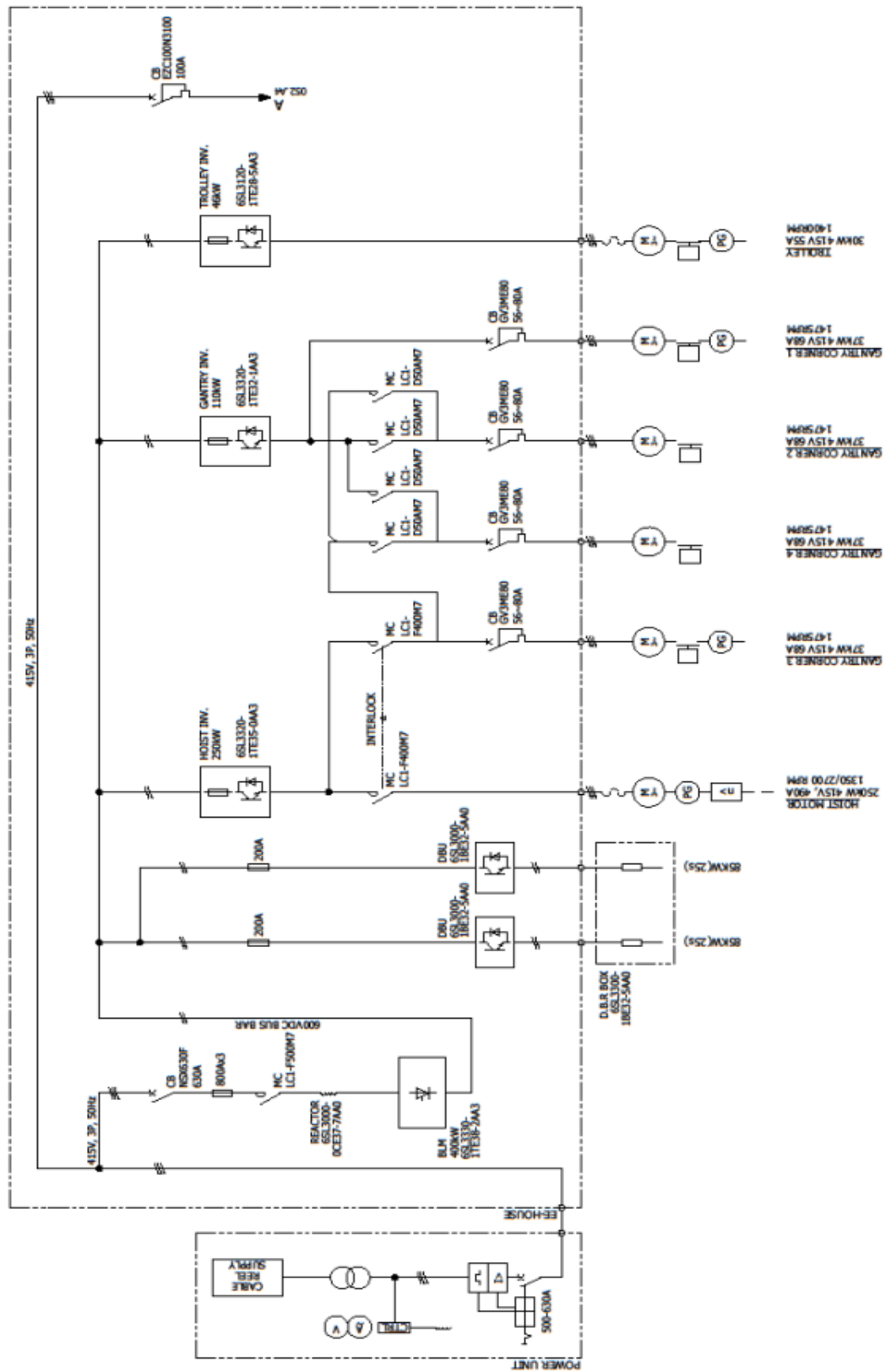
- Mathworks. (2023, Januari 19). *matlab*. Retrieved from pwm generator: <https://www.mathworks.com/help/sps/ref/pwmgenerator.html>
- Papaioannou, V., Pietrosanti, S., Holderbaum, W., Becerra, V. M., & Mayer, R. (2017). Analysis of energy usage for RTG cranes. *Energy*, 337–344.
- Pietrosanti, S. (2018). *Supervisory Control Of Energy Storage In Rubber Tyred Gantry Cranes*. UK: University of Reading.
- Pratiwi, A. S. (2020). Desain dan Simulasi Bidirectional DC-DC Converter untuk Penyimpanan Energi pada Sistem Fotovoltaik. *Jurnal Nasional Teknik Elektro dan Teknologi Informasi*, 305-310.
- Rashid, M. H., Kumar, N., & Kulkarni, A. R. (2014). *Power Electronics Devices, Circuits, and Applications Fourth Edition*. Delhi: Pearson.
- Ravi, D., Mallikarjuna Reddy, B., S.L, S., & Samuel, P. (2018). Bidirectional DC to DC Converters: An Overview of Various Topologies, Switching Schemes and Control Techniques. *International Journal of Engineering & Technology*, 360–365.
- Sen, P. C. (2014). *Principles of Electric Machines and Power Electronics*. Queen's University: Wiley.
- Sumardjati, P., Yahya, S., & Mashar, A. (2008). *Teknik Pemanfaatan Tenaga Listrik jilid 3*. Jakarta: Direktorat Pembinaan Sekolah Menengah Kejuruan.
- Team, M. E. (2008). *A Guide to Understanding Battery Specifications*.
- University, B. (2021, Oktober 25). *BU-402: What Is C-rate?* Retrieved from Battery university: <https://batteryuniversity.com/article/bu-402-what-is-c-rate>
- Wijaya, M. (2001). *Darar-dasar Mesin Listrik*. Jakarta: Djambatan.
- Zhang, G. d. (2016). Design and Realization of a Bi-directional DC/DC Converter in Photovoltaic Power System. *International Forum on Energy, Environment and Sustainable Development (IFEESD 2016)*, 1095-1100.

LAMPIRAN


Lampiran 1 Dimensi RTG Crane



Lampiran 2 Single Line Diagram RTG Crane



Lampiran 3 Spesifikasi baterai



Ev Grade A+ 105ah 3.2v Lithium LifePO4 Battery Cell Rechargeable 105Ah Battery Lifepo4 For Golf Carts Submarines

10 - 99 pieces >= 100 pieces

\$48.00 **\$47.00**

Benefits: US \$10 off with a new supplier [Claim now >](#)

Nominal Capacity: 105Ah

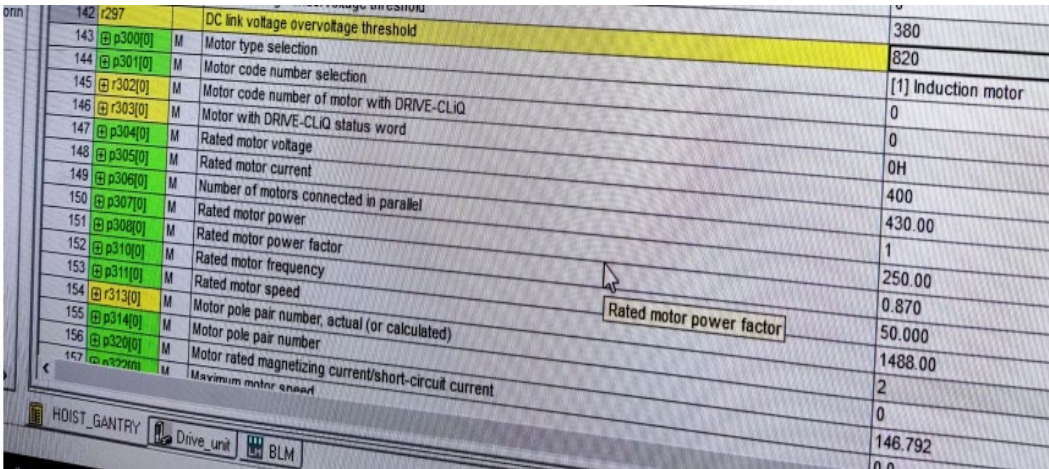
Nominal Voltage: 3.2V

Samples: 105Ah, 3.2V

Typical Capacity	105Ah
Typical Voltage	3.2V
AC Impedance Resistance	≤0.7mΩ
Standard charge and discharge Charge/Discharge Current	0.5C/0.5C
Standard charge and discharge Charge/Discharge Cut-off Voltage	3.65V/2.5V
Continuous Charge/Discharge Current	1C/1C

[Newest Ev Lf90k 3000 Cycles Grade A Customized 3.2v 90ah Lifepo4 Lithium Ion Batteries 3.2v 90ah Cell - Buy Lifepo4 Battery Cell 3.2v 90ah,Lithium Ion Batteries 3.2v 90ah,Customized 3.2v 90ah Lithium Battery Product on Alibaba.com](#)

Lampiran 4 Bus DC overvoltage



142	r297	DC link voltage overvoltage threshold	380
143	p300[0]	Motor type selection	820
144	p301[0]	Motor code number selection	[1] Induction motor
145	r302[0]	Motor code number of motor with DRIVE-CLIQ	0
146	r303[0]	Motor with DRIVE-CLIQ status word	0
147	p304[0]	Rated motor voltage	0H
148	p305[0]	Rated motor current	400
149	p306[0]	Number of motors connected in parallel	430.00
150	p307[0]	Rated motor power	1
151	p308[0]	Rated motor power factor	250.00
152	p310[0]	Rated motor frequency	0.870
153	p311[0]	Rated motor speed	50.000
154	r313[0]	Motor pole pair number, actual (or calculated)	1488.00
155	p314[0]	Motor pole pair number	2
156	p320[0]	Motor rated magnetizing current/short-circuit current	0
157	p320[0]	Maximum motor speed	146.792

Lampiran 5 Spesifikasi motor hoist

Motor data

Motor type: [1] Induction motor Parallel motor connection Number: 1

Order no.: >Mxxxxx-xxxxx-xxxx

Motor code number: 0

Motor data:

Par.	Parameter text	Value	Unit
p304[0]	Rated motor voltage	400	Vrms
p305[0]	Rated motor current	430.00	Arms
p307[0]	Rated motor power	250.00	kW
p308[0]	Rated motor power factor	0.870	
p310[0]	Rated motor frequency	50.000	Hz
p311[0]	Rated motor speed	1468.00	rpm
p335[0]	Motor cooling type	[0] Natural ve	

Optional motor data:

Par.	Parameter text	Value	Unit
p320[0]	Motor rated magnetizing current/short-circuit cur	146.792	Arms
p322[0]	Maximum motor speed	0.0	rpm
p341[0]	Motor moment of inertia	3.314306	kgm ²
p342[0]	Ratio between the total and motor moment of ine	1.065	
p344[0]	Motor weight (for the thermal motor model)	1250.0	kg
p352[0]	Cable resistance	0.00676	ohm
p353[0]	Motor series inductance	0.000	mH
p1062[0]	Maximum speed	2700.000	rpm

Equiv. circ. diag. data:

Par.	Parameter text	Value	Unit
p350[0]	Motor stator resistance cold	0.00675	ohm
p354[0]	Motor rotor resistance cold / damping resistance	0.00467	ohm
p356[0]	Motor stator leakage inductance	0.18772	mH
p358[0]	Motor rotor leakage inductance / damping induct	0.19512	mH
p360[0]	Motor magnetizing inductance/magn. inductance	4.64112	mH

Motor/control parameters:

[0] No calculation

Edit

Close Help