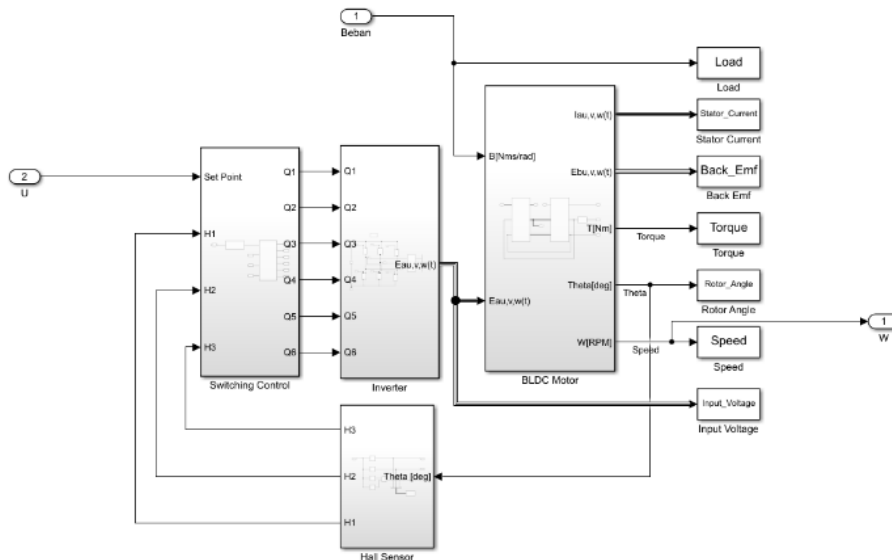


DAFTAR PUSTAKA

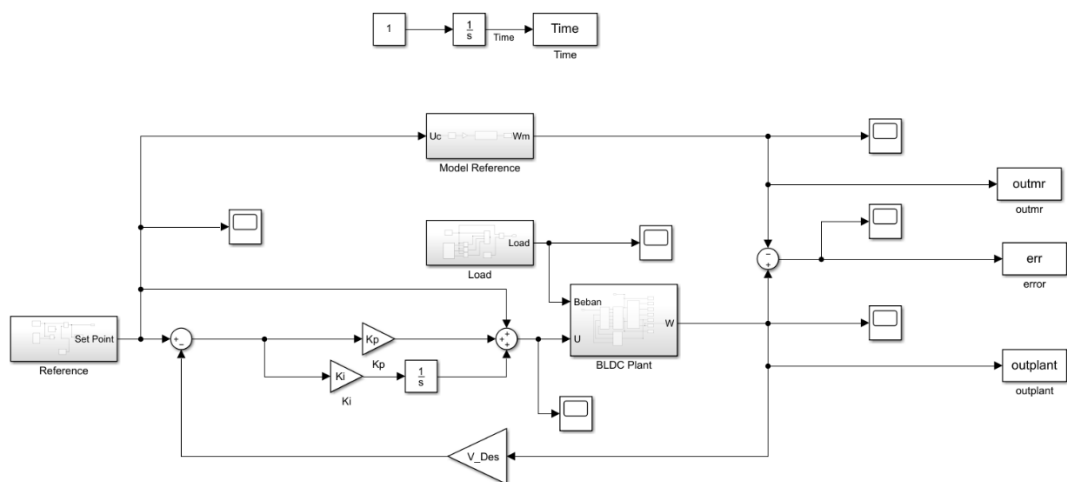
- Ali, M. A. (2016). *Speed Control of High Performance Brushless DC Motor*. Helwan Cairo: Helwan University.
- Alim, A. F. (2021). *Sistem Kendali Kecepatan Motor Brushless DC (BLDC) dengan Pengendali PI*. Makassar: Universitas Hasanuddin.
- Dinansyar, F. (2016). *Pengaturan Kecepatan Motor Brushless DC Menggunakan Kontroler Fuzzy Berbasis Linear Quadratic Regulator*. Surabaya: ITS.
- Masood, R. J., Wang, D. B., Ali, Z. A., & Babar, K. (2017). DDC Control Techniques for Three-Phase BLDC Motor Position Control. *Algorithms*.
- Mekha, M. (2018). Speed Control of BLDC Motors Using MRAC. *IRJET*, 03(06), 2329.
- Munadi, Akbar, M. A., Naniwa, T., & Taniai, Y. (2016). Model Reference Adaptive Control for DC Motor Based on Simulink. *2016 6th International Annual Engineering Seminar (InAES)*, 101-106. doi:10.1109/INAES.2016.7821915
- Ogata, K. (2010). *Modern Control Engineering, Fifth Edition*. New Jersey: Prentice Hall.
- Oppenheim, A. V., & Verghese, G. C. (2016). *Signals, Systems & Inference*. Hoboken: Pearson Education.
- S., S. C., & Kuncheria, J. T. (2013). Modelling and Simulation of Four Quadrant Operation of Three Phase Brushless DC Motor With Hysteresis Current Controller. *IJAREEIE*, 2(6), 2320-3765.
- Samman, F. A. (2016). *Sistem Kendali Adaptif: Desain, Pemodelan dan Simulasi Analog*. Gowa: IESTA.
- Veeramuthulingam, N., Ezhilarasi, A., Ramaswamy, M., & Muthukumar, P. (2018). Modelling of Brushless DC Motor Using Adaptive Control. *International Conference of Soft Computing System*, 837(1), 764-775.
- Xiang, W., & Zhen-qiang, L. (2017). Brushless DC Motor Speed Control Strategy of Simulation Research. *ICMITE*, 139(00172), 6-10.

LAMPIRAN

Lampiran 1 Simulink Penggerak Motor BLDC



Lampiran 2 Simulink Pengendalian Motor BLDC dengan Pengendali PI



Lampiran 3 Simulink Pengendalian Motor BLDC dengan Pengendali MRAC

