

DAFTAR PUSTAKA

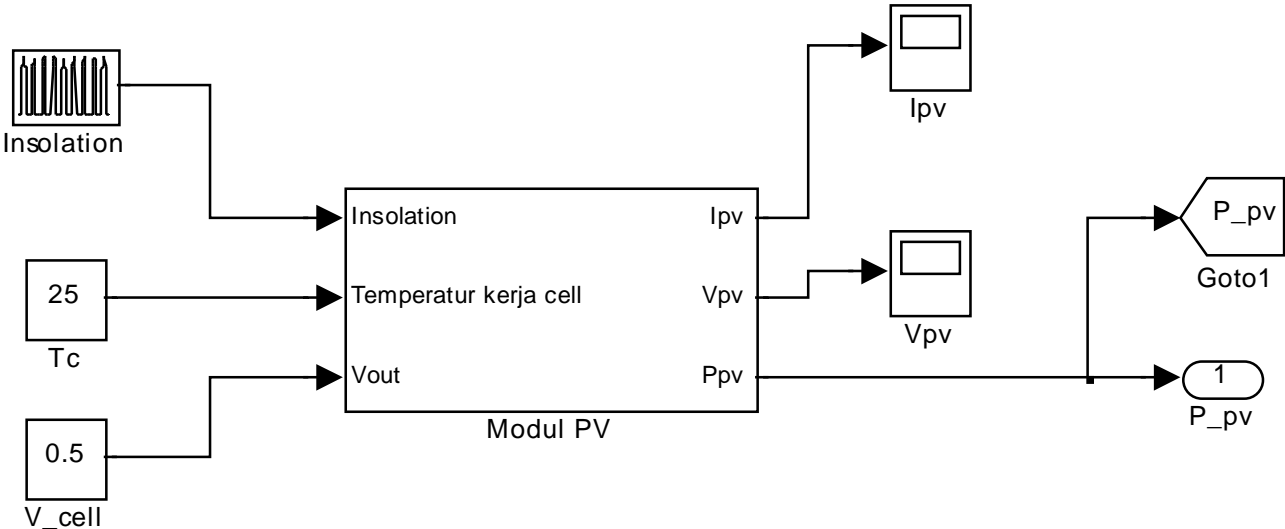
- C.V Nayar, S.J.Phillips (1998). *Novel Wind/Diesel/Battery Hybrid Energy System'* IEEE Explorer. Power Electronics Research Unit School of Electronics & Computer Engineering.
- Chee-Mun Ong (1997). *Dinamic Simulation of Electric Machinery*. Prentice Hall PTR Upper Saddle River New Jersey.
- Huan-Liang Tsai, Ci-Siang Tu, and Yi-Jie Su (2008). *Development of Generalized Photovoltaic Model Using MATLAB/Simulink*. Proceedings of the World Congress on Engineering and Computer Science 2008. San Fransisco, USA.
- Ilham Amir (2009). *Rancang bangun Destilator Tenaga Surya Menggunakan Jenis Kolektor Pelat Datar*. Laporan Tugas Akhir Program Studi Teknik Konversi Energi Politeknik Negeri Ujung Pandang, Makassar.
- Ismail, Mahmoud Salah (2008). *Simulation of a Hybrid Power System Consisting of Wind Turbine , PV, Storage Battery and Diesel Generator with Compensation Network: Design, Optimization and Economical Evaluation*. An-Najah National University, Nablus, Palestine.
- Jan Leucher (2006). *Modeling and Experimental Verification of Mobile Power Source with Variable Speed*. Journal of Electrical Engineering, Vol.57, No.5.
- Kinal Kachhiya. *MATLAB/Simulink Model of Solar PV Module and MPPT Algorithm*, National Conference on Recent Trends in Engineering & Technology.
- Kunaifi (2010). *Program HOMER Untuk Studi Kelayakan Pembangkit Listrik Hibrida di Propinsi Riau*, Universitas Islam Negeri Sultan Syarif Kasim Riau.
- Lambert, T., P. Gilman, dan P. Lilienthal (2006). *Micropower System Modelling With HOMER, dalam Integration of Alternative Sources of Energy*, ed. Felix A. Farret dan M. Godoy Simoes, John Wiley & Sons, Inc.
- L.E. Weldermariam (2010). *Genset-Solar-Wind Hybrid Power System of Off-Grid Power Station for Rural Applications*. Master thesis in Electrical Power Engineering. Delf University of Technology, Delf.

- Marnoto, Tjukup (2009). *Pemodelan Semi Empirik Persamaan Karakter Pembangkit Listrik Tenaga Surya*. Proseding Seminar Nasional Teknik Kimia, Yogyakarta.
- Marsudi, Djiteng. *Pembangkit Energi Listrik*, Erlangga, Jakarta.
- Moubayed, Nazih (2009). *Control of an Hybrid Solar-Wind System with Acid Battery for Storage*. Journal Wseas Transactions on Power Systems.
- Nicola M.P. and Robert H., *Photovoltaic Modules, Systems and application*, Northumria Photovoltaic Application Centre, Univercity of Northumria at Newcastle.
- Nurhadi, Arif. *Perancangan Generator Putaran Rendah Magnet Permanen Jenis FE fluks Aksial*. Jurnal Teknik Elektro Fakultas Teknik Universitas Diponegoro.
- Rahardjo, I. dkk, *Analisis Potensi Pembangkit Listrik Tenaga Surya di Indonesia*, Paper: Strategi Penyediaan Listrik Nasional Dalam Rangka Mengantisipasi Pemanfaatan PLTU Batubara Skala Kecil, PLTN, Dan Energi Terbarukan.
- R.C. Bansal (2006). *Automatic Reactive-Power Control of Isolated Wind-Diesel Hybrid Power System*. IEEE.
- Rerucha, Vladimir. *The Mechatronic Approach to the Optimal Control of the VSCF Genset*. Jurnal Military Academy in Brno, Kounicova 65, 612 00 Brno, Czech Republic.
- Sami Kamel, Carol Dahl (2008).” *The economics of hybrid power system for sustainable desert agriculture in Eryp*,” Science direct pp:1271 - 1278.
- Setiawati, (2008). *Proses Pembelajaran dalam Pendidikan Kesehatan*, Jakarta: TIM
- Soetedjo, Aryanto dkk. (2011). *Pemodelan Sistem Pembangkit Listrik Hibrid Angin dan Surya*. Jurnal Institut Teknologi Nasional. Malang
- Sugono, Dendy (2008). *Kamus besar bahasa Indonesia*. Pusat bahasa Departemen pendidikan Nasional Repoblik Indonesia.
- Suliha, Uha, (2002), *Pendidikan Kesehatan: Pendidikan Kesehatan*, Jakarta, EGC Buku Kedokteran.

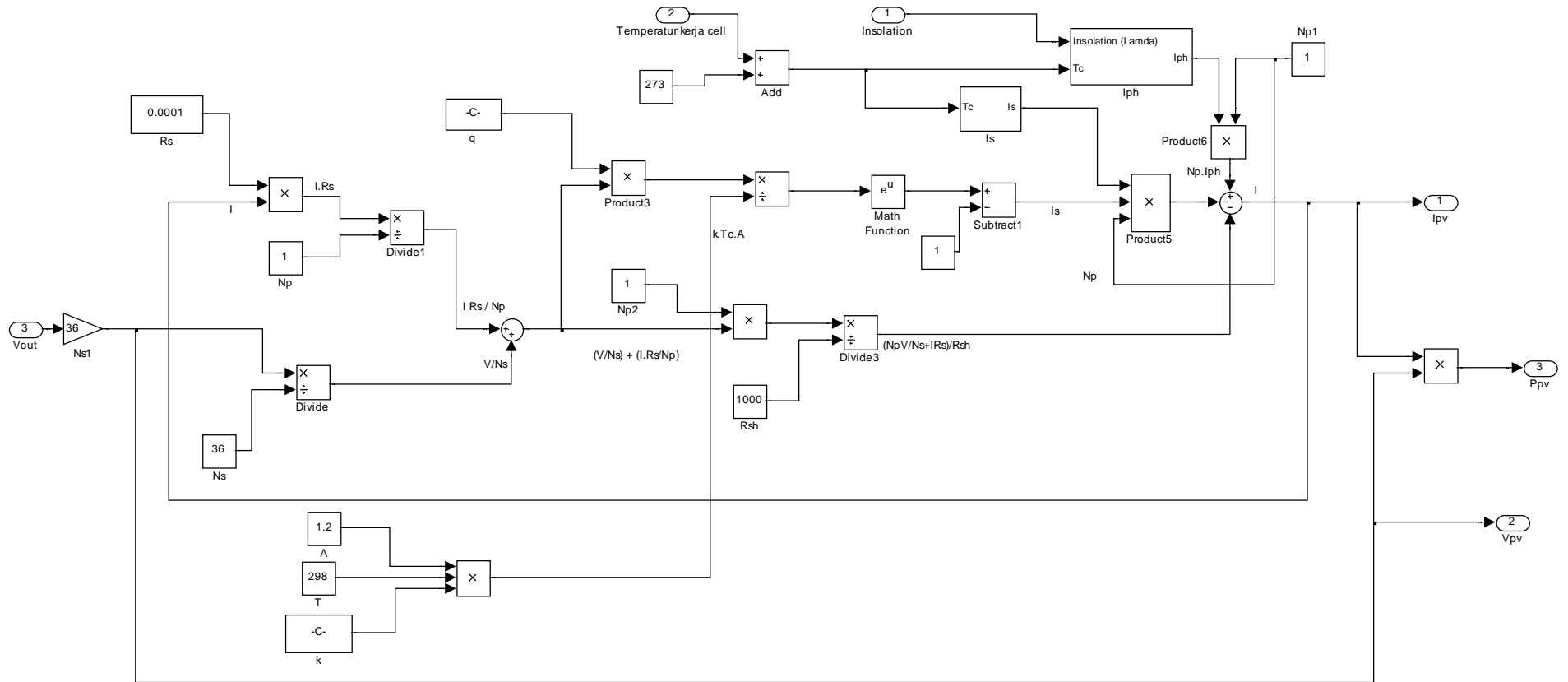
- Tajuddin, C.V. Nayar (2008). "*Variable Speed Power Generation With DFIG*", Proceeding IEEE Explorer : Power Electronics Specialist Conference, Greece, Athena.
- Tajuddin, C.V. Nayar (2007). "*Mathematics and Dynamics Simulation of Variable Speed Diesel Generator with DFIG*". Proceeding of Australasia Power Electrical Conference (AUPEC), Perth Australian.
- Tarak Salmi (2012). *MATLAB/Simulink Based Modelling of Solar Photovoltaic Cell*. International Journal Of Renewable Energy Research. Vol.2, No.2.
- Usman Effendi (2008). *Model Aplikasi PLTS*, Pusat Pengembangan dan Pemberdayaan Pendidik dan Tenaga Kependidikan, Departemen Pendidikan Nasional, Bandung.

LAMPIRAN 1.1

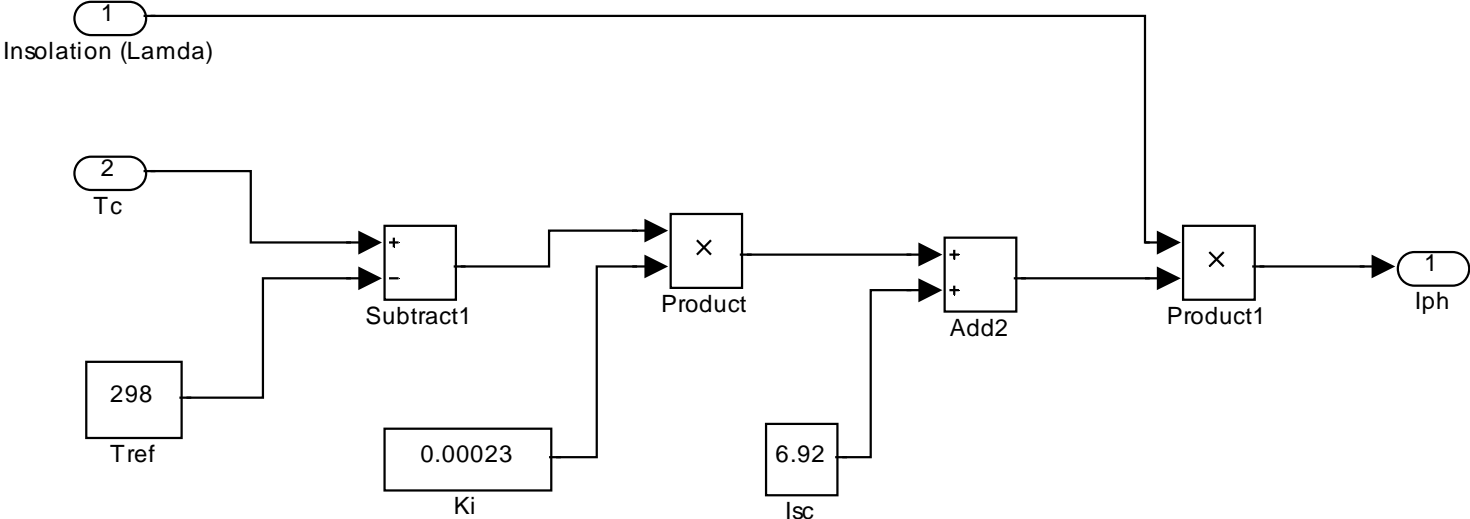
1. Model Simulasi Modul Fotovoltaik (*PV-Module*)



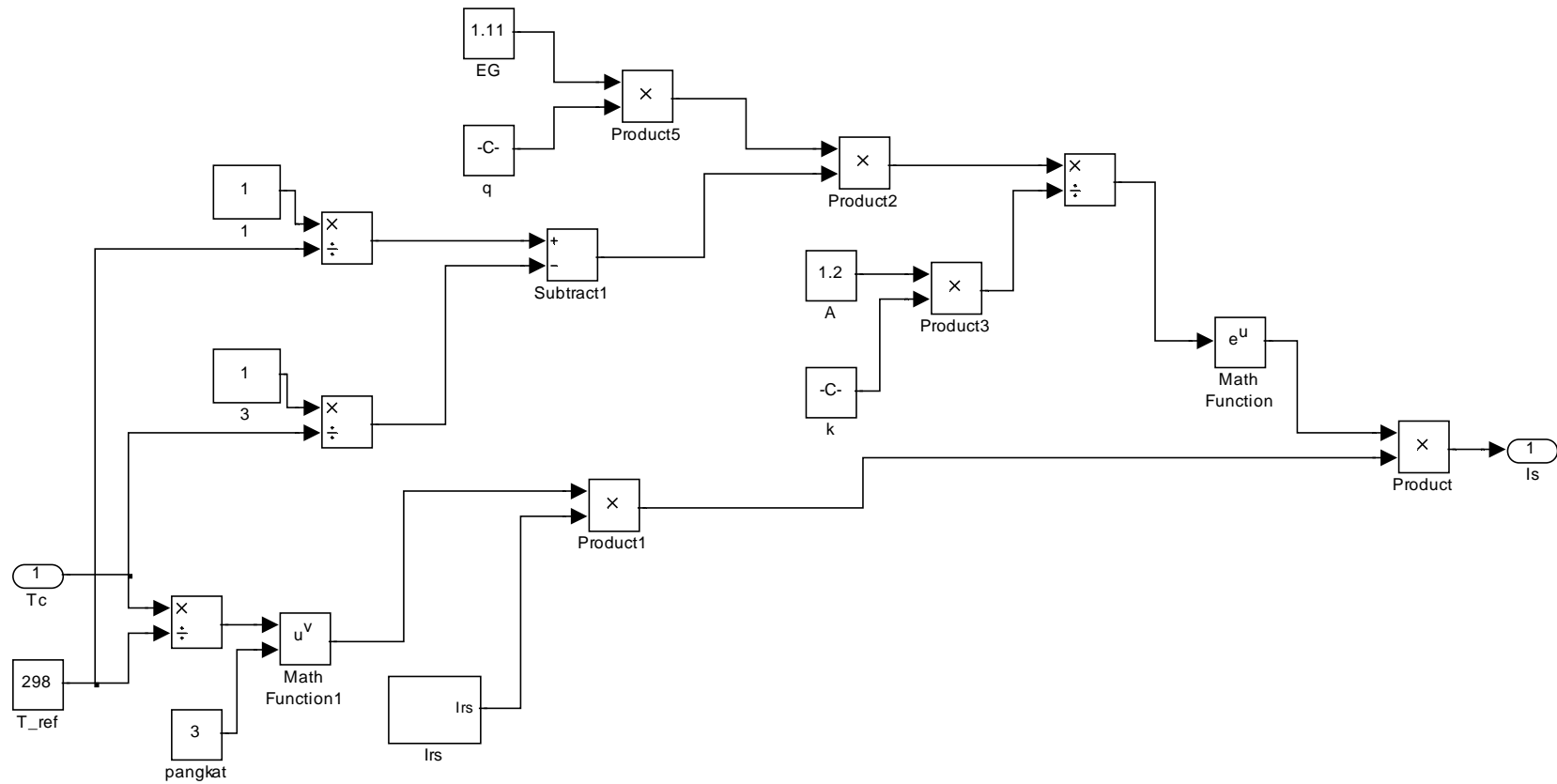
a. Model detail Simulasi modul PV



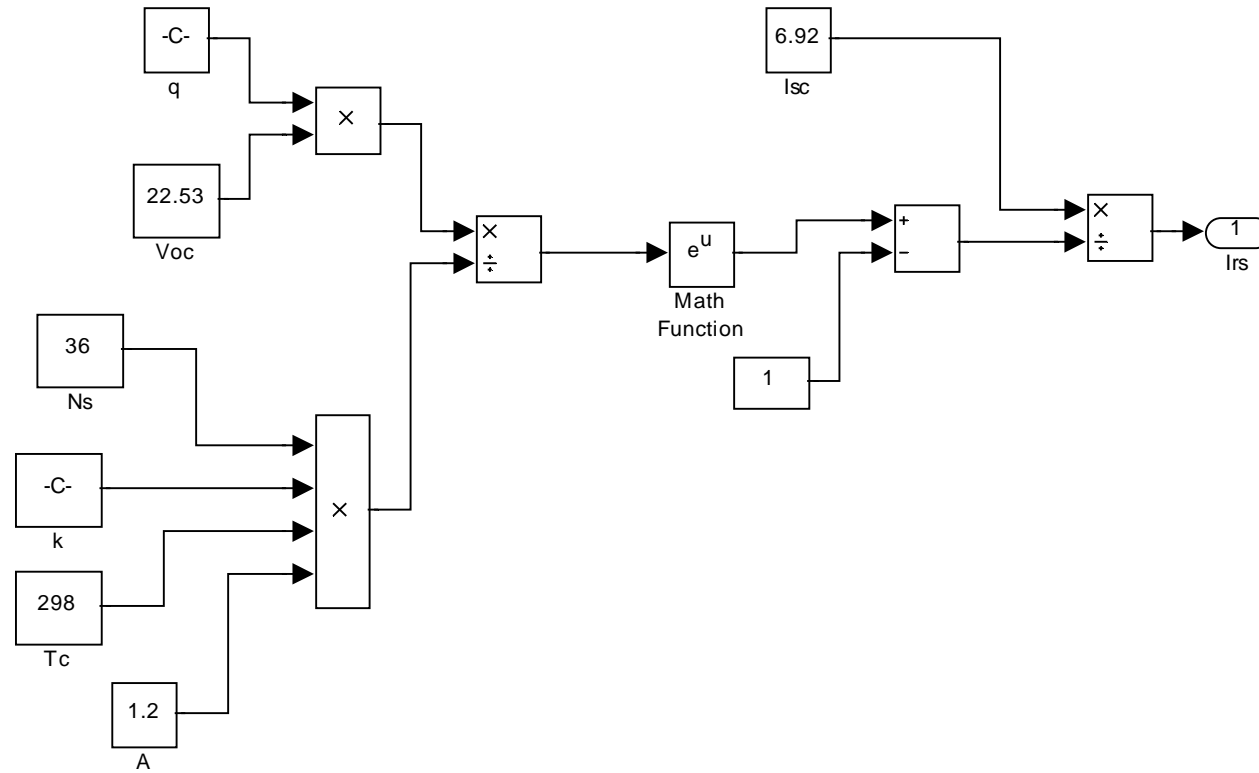
b. Model simulasi Arus Photocurrent (*I_{ph}*)



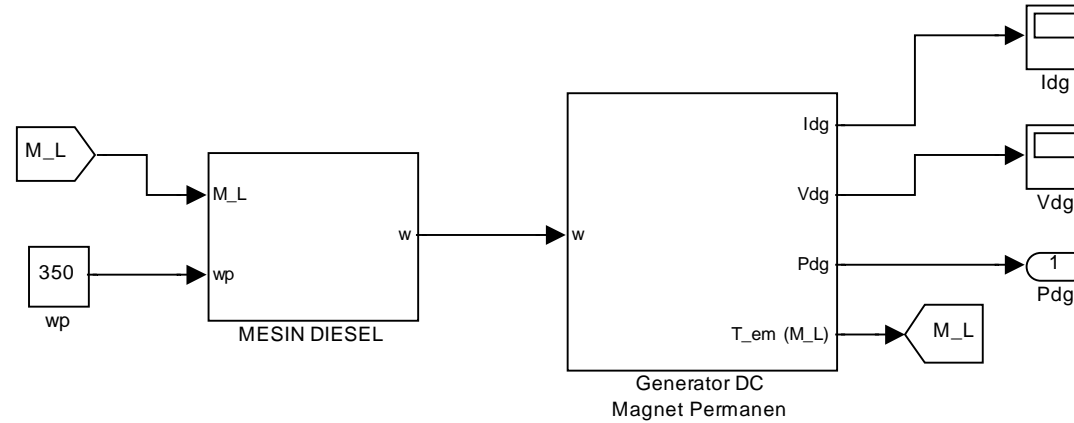
c. Model Simulasi Arus Saturasi (I_s)



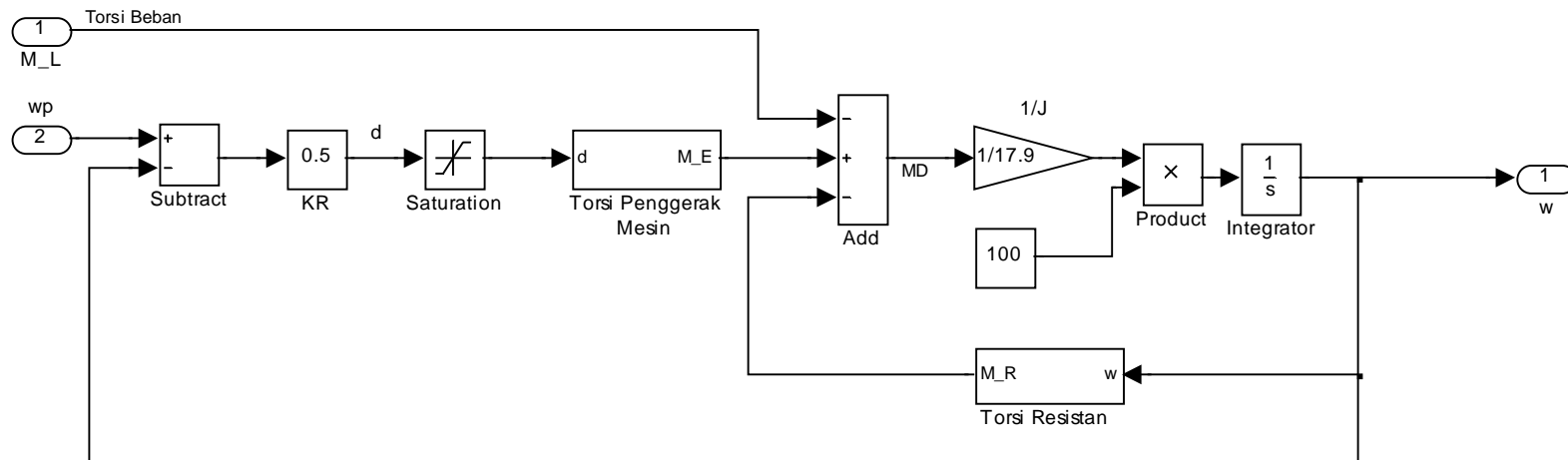
d. Model simulasi Arus Saturasi balik (Irs)



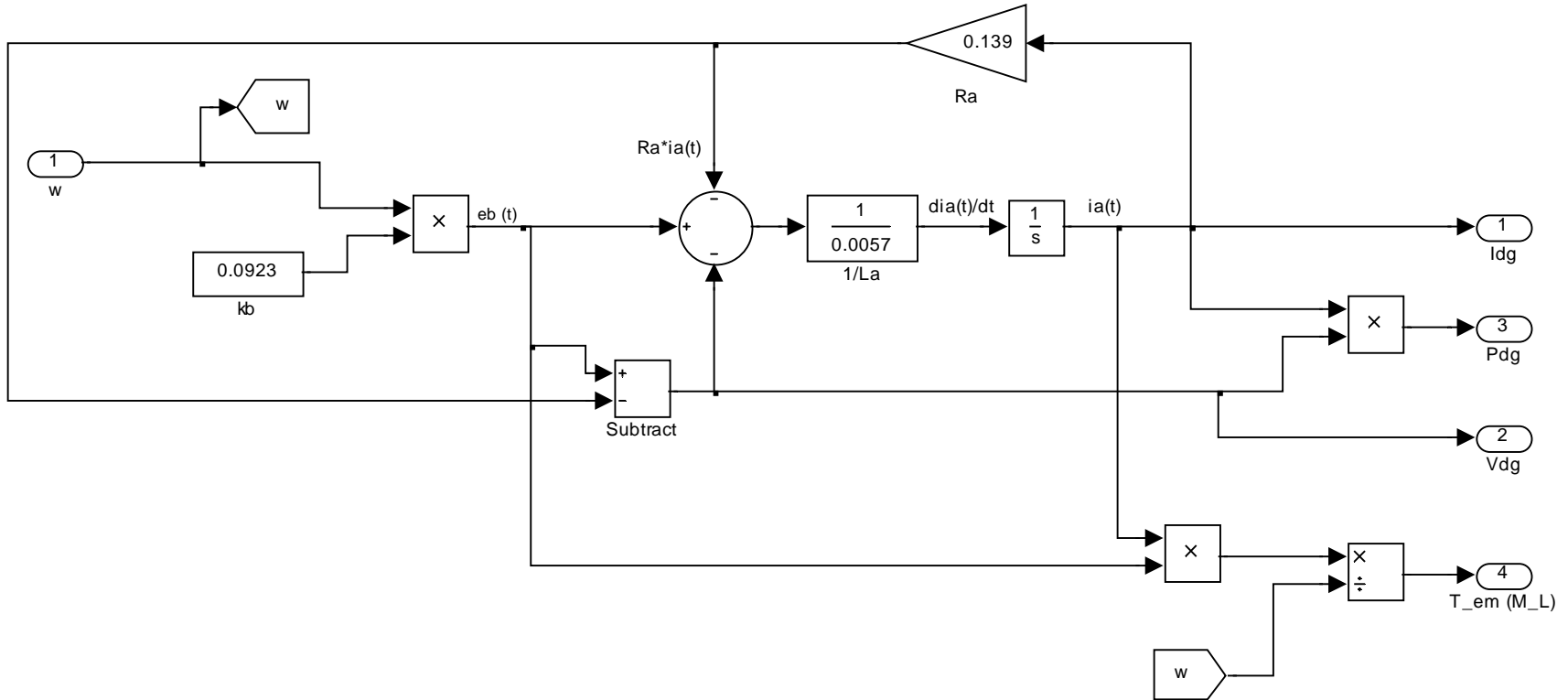
2. Model Simulasi Genset



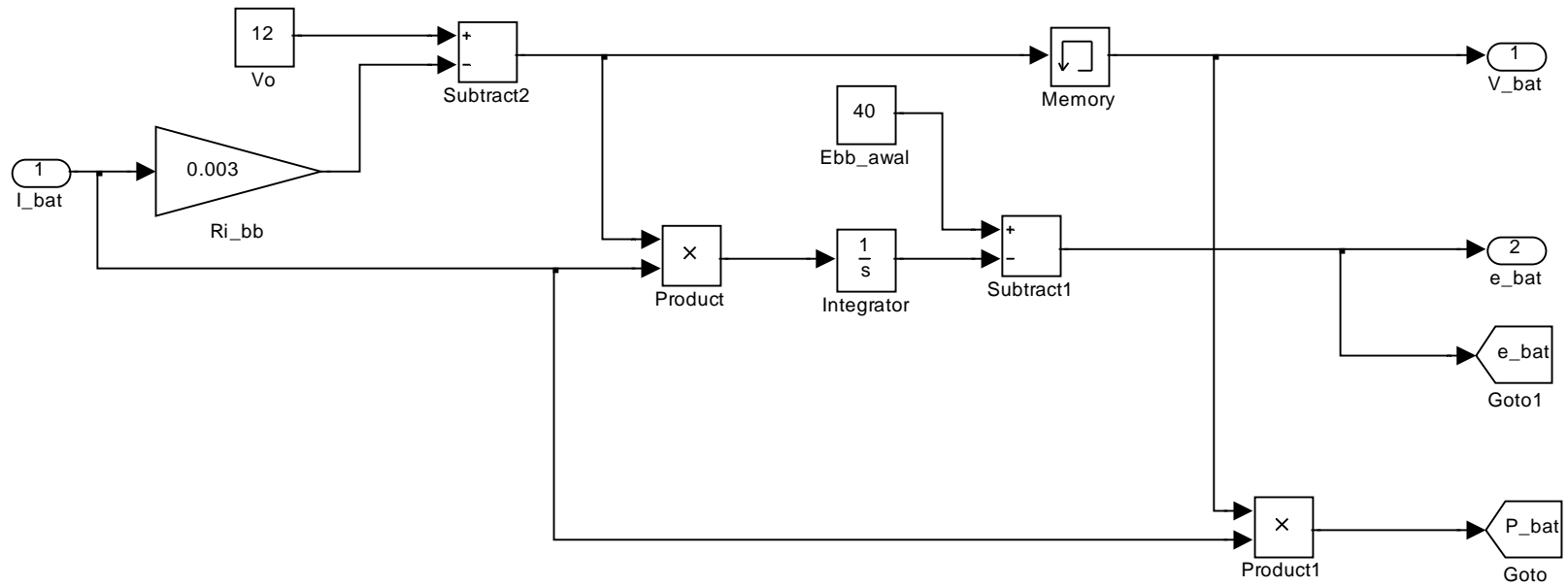
a. Model Simulasi Mesin Diesel



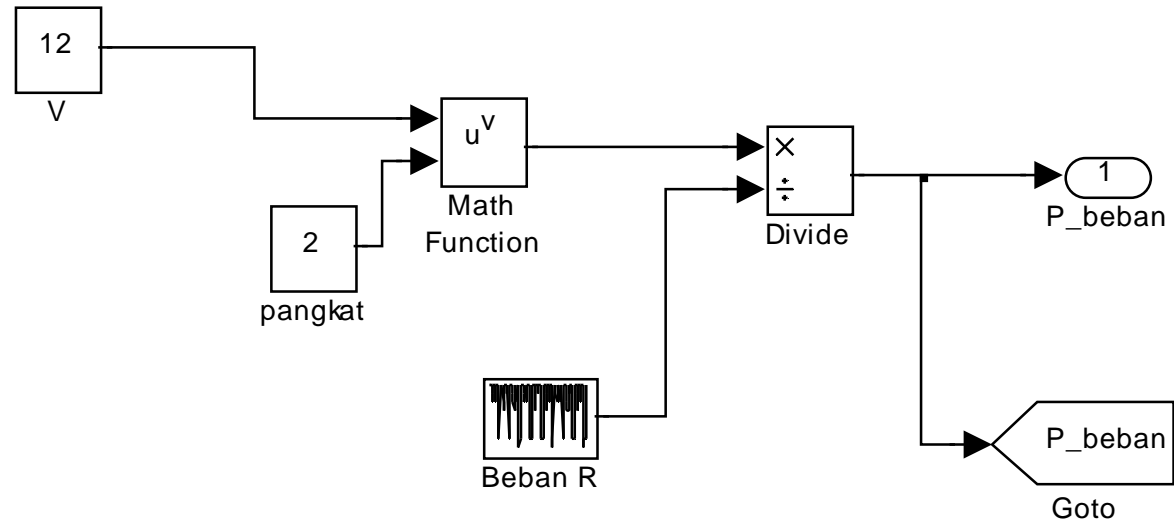
b. Model Simulasi Generator DC Magnet Permanen



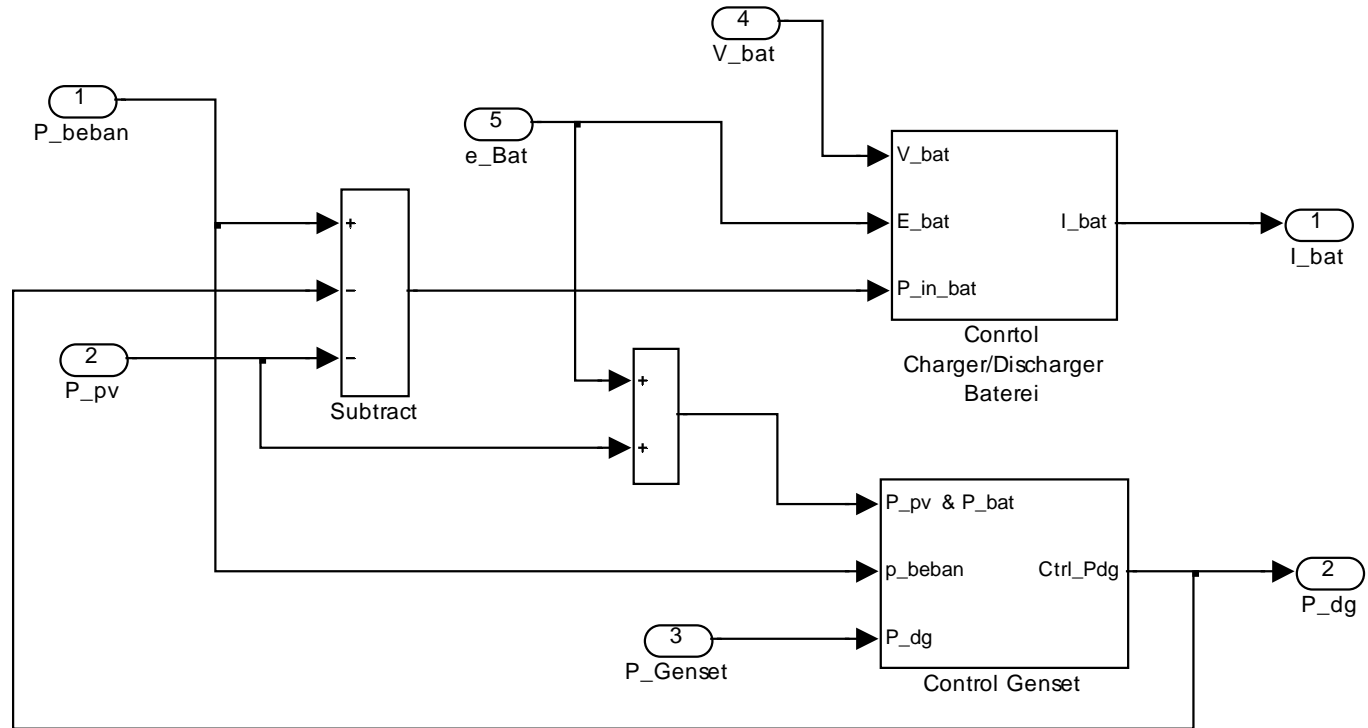
3. Model Simulasi Baterai



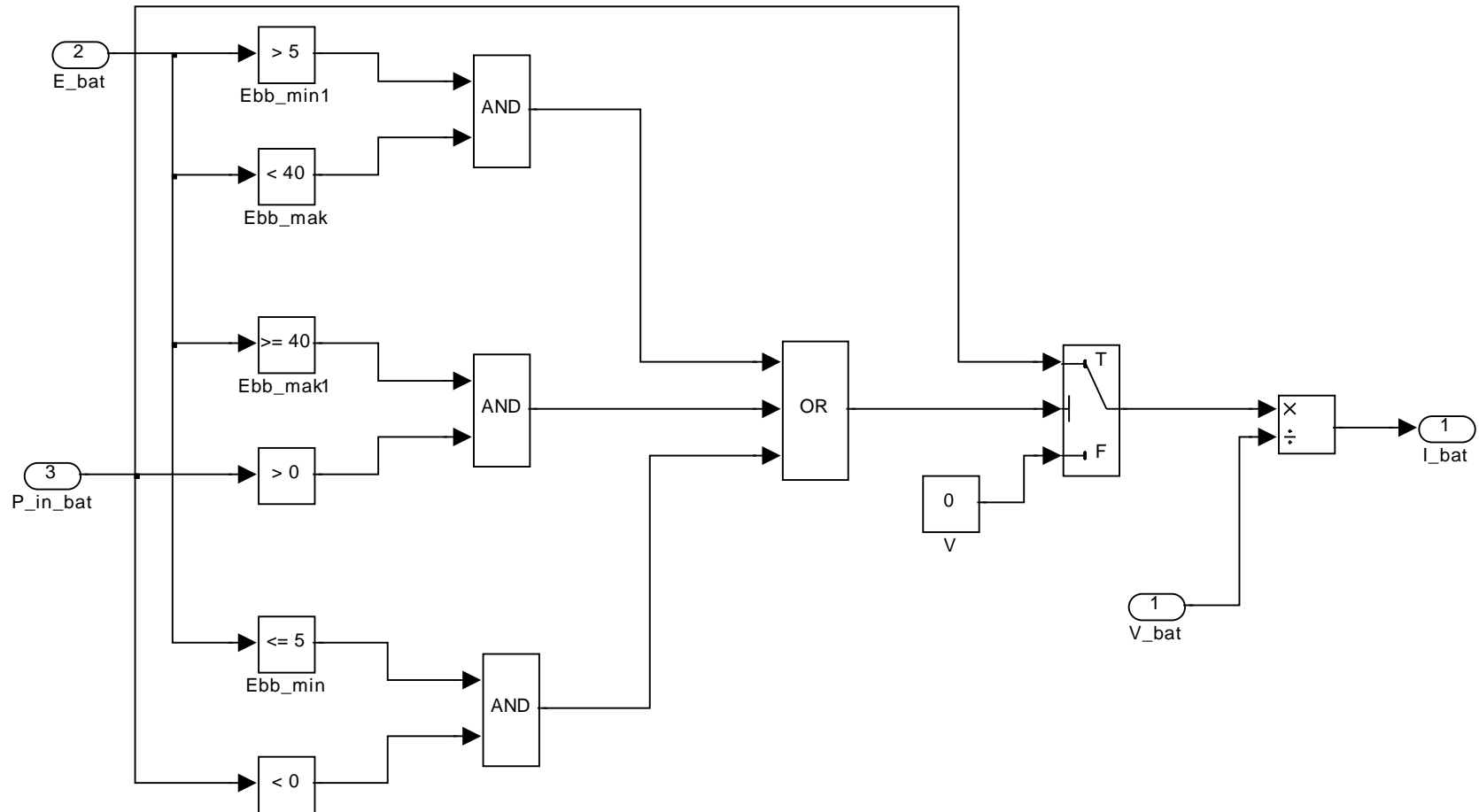
4. Model Simulasi Beban



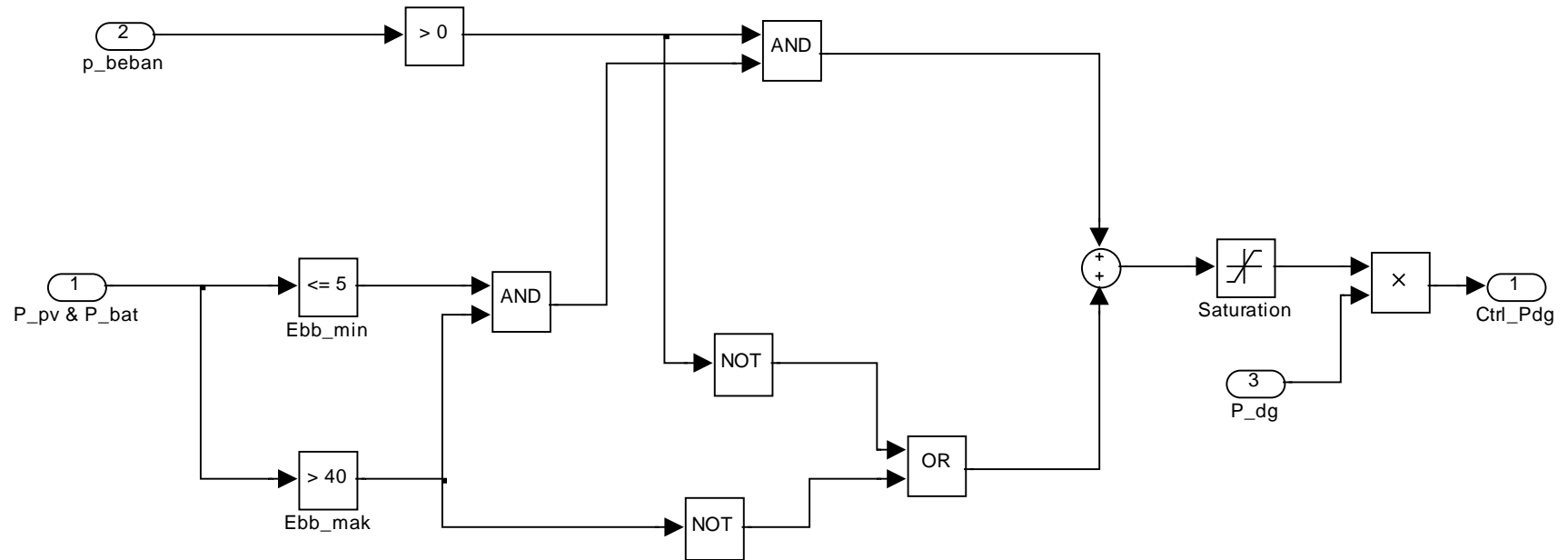
5. Model Simulasi Controller



a. Model Simulasi Kontrol *Charger/discharger* Baterai



b. Model Simulasi Kontrol Genset



LAMPIRAN 2.1

DATA HASIL SIMULASI DENGAN KAPASITAS BATERAI 40 Ah

Time [Jam]	P_Beban [Watt]	P-pv [Watt]	P_genset [Watt]	P_Baterai [Watt]	P_Sumber (PV, DG, Bat) [Watt]	P_Loss [Watt]	V_Baterai [Volt]	I_Baterai [Ampere]	Energi_Baterai [Ah]
0.0000	72.0000	-2.1146	-8.8096	82.9242	72.0000	0.0000	12.0000	6.9104	39.0000
0.0002	72.0000	-2.1146	-8.6558	82.7704	72.0000	0.0000	11.9793	6.9095	38.9852
0.0011	72.0000	-2.1146	-7.8887	82.0033	72.0000	0.0000	11.9793	6.8454	38.9113
0.0056	72.0000	-2.1146	-4.1106	78.2252	72.0000	0.0000	11.9795	6.5299	38.5523
0.0280	72.0000	-2.1146	13.4239	60.6907	72.0000	0.0000	11.9804	5.0658	36.9994
0.0501	72.0000	-2.1146	28.7288	45.3858	72.0000	0.0000	11.9848	3.7869	35.8269
0.0501	72.0000	-2.1146	28.7288	45.3858	72.0000	0.0000	11.9886	3.7857	35.8269
0.0501	72.0000	-2.1146	28.7288	45.3858	72.0000	0.0000	11.9886	3.7857	35.8269
0.1456	72.0000	-2.1146	69.6844	4.4302	72.0000	0.0000	11.9886	0.3695	33.7377
0.1637	72.0000	-2.1146	74.1146	0.0000	72.0000	0.0000	11.9989	0.0000	33.6983
0.1637	72.0000	-2.1146	74.1146	0.0000	72.0000	0.0000	12.0000	0.0000	33.6983
0.2443	72.0000	-2.1146	86.8070	-12.6924	72.0000	0.0000	12.0000	-1.0577	34.2740
0.3249	72.0000	-2.1146	92.7776	-18.6630	72.0000	0.0000	12.0032	-1.5548	35.5683
0.4422	72.0000	-2.1146	96.3064	-22.1917	72.0000	0.0000	12.0047	-1.8486	38.0015
0.5300	72.0000	-2.1146	97.3047	-23.1901	72.0000	0.0000	12.0055	-1.9316	40.0000
0.5300	72.0000	-2.1146	97.3047	0.0000	95.1901	23.1901	12.0058	0.0000	40.0000
0.6631	72.0000	-2.1146	97.8563	0.0000	95.7416	23.7416	12.0000	0.0000	40.0000
0.7962	72.0000	-2.1146	98.0160	0.0000	95.9014	23.9014	12.0000	0.0000	40.0000

1.0624	72.0000	-2.1146	98.0656	0.0000	95.9510	23.9510	12.0000	0.0000	40.0000
1.3942	72.0000	-2.1146	98.0705	0.0000	95.9559	23.9559	12.0000	0.0000	40.0000
1.8215	72.0000	-2.1146	98.0460	0.0000	95.9314	23.9314	12.0000	0.0000	40.0000
2.1667	72.0000	-2.1146	98.0507	0.0000	95.9361	23.9361	12.0000	0.0000	40.0000
2.5119	72.0000	-2.1146	98.0547	0.0000	95.9401	23.9401	12.0000	0.0000	40.0000
2.8829	72.0000	-2.1146	98.0454	0.0000	95.9308	23.9308	12.0000	0.0000	40.0000
3.2599	72.0000	-2.1146	98.0279	0.0000	95.9133	23.9133	12.0000	0.0000	40.0000
3.6139	72.0000	-2.1146	98.0273	0.0000	95.9127	23.9127	12.0000	0.0000	40.0000
3.9444	72.0000	-2.1146	98.0450	0.0000	95.9304	23.9304	12.0000	0.0000	40.0000
4.2779	73.0147	-2.1146	98.0555	0.0000	95.9409	22.9262	12.0000	0.0000	40.0000
4.6385	74.3745	-2.1146	98.0522	0.0000	95.9376	21.5631	12.0000	0.0000	40.0000
5.0198	75.8686	-2.1146	98.0348	0.0000	95.9202	20.0516	12.0000	0.0000	40.0000
5.3882	77.3703	-2.1146	98.0213	0.0000	95.9067	18.5364	12.0000	0.0000	40.0000
5.7256	78.7987	-2.1146	98.0358	0.0000	95.9211	17.1224	12.0000	0.0000	40.0000
6.0510	80.0000	-2.1146	98.0533	0.0000	95.9386	15.9386	12.0000	0.0000	40.0000
6.3970	80.0000	-2.1146	98.0566	0.0000	95.9420	15.9420	12.0000	0.0000	40.0000
6.7745	80.0000	-2.1146	98.0442	0.0000	95.9296	15.9296	12.0000	0.0000	40.0000
7.0243	79.7849	0.0000	98.1006	0.0000	98.1006	18.3156	12.0000	0.0000	40.0000
7.0243	79.7849	0.0000	0.0000	79.7849	79.7849	0.0000	12.0000	6.6487	40.0000
7.0243	79.7849	0.0000	0.0000	79.7849	79.7849	0.0000	11.9801	6.6598	40.0000
7.4058	76.5487	33.2522	0.0000	43.2966	76.5487	0.0000	11.9800	3.6141	16.5220
7.7873	73.5648	66.5043	0.0000	7.0606	73.5648	0.0000	11.9892	0.5889	6.9135
7.8619	73.0082	73.0082	0.0000	0.0000	73.0082	0.0000	11.9982	0.0000	6.6567
7.8619	73.0082	73.0082	0.0000	0.0000	73.0082	0.0000	12.0000	0.0000	6.6567
8.2251	72.0000	85.6046	0.0000	-13.6046	72.0000	0.0000	12.0000	-1.1337	10.5775
8.5883	72.0000	86.5091	0.0000	-14.5091	72.0000	0.0000	12.0034	-1.2087	15.6845

9.0159	72.0000	87.6137	0.0000	-15.6137	72.0000	0.0000	12.0036	-1.3007	22.1189
9.3358	72.0000	89.2069	0.0000	-17.2069	72.0000	0.0000	12.0039	-1.4334	27.3686
9.6557	72.0000	90.8001	0.0000	-18.8001	72.0000	0.0000	12.0043	-1.5661	33.1281
10.0051	72.0000	92.5339	0.0000	-20.5339	72.0000	0.0000	12.0047	-1.7105	40.0000
10.0051	72.0000	92.5339	0.0000	0.0000	92.5339	20.5339	12.0051	0.0000	40.0000
10.3788	72.0000	93.9299	0.0000	0.0000	93.9299	21.9299	12.0000	0.0000	40.0000
10.7526	72.0000	95.3259	0.0000	0.0000	95.3259	23.3259	12.0000	0.0000	40.0000
11.1041	72.7574	96.8982	0.0000	0.0000	96.8982	24.1408	12.0000	0.0000	40.0000
11.4357	75.2799	98.9626	0.0000	0.0000	98.9626	23.6827	12.0000	0.0000	40.0000
11.7726	78.0288	101.0602	0.0000	0.0000	101.0602	23.0315	12.0000	0.0000	40.0000
12.1351	78.8168	103.1486	0.0000	0.0000	103.1486	24.3318	12.0000	0.0000	40.0000
12.5141	75.6769	105.0364	0.0000	0.0000	105.0364	29.3595	12.0000	0.0000	40.0000
12.8787	72.8842	106.8520	0.0000	0.0000	106.8520	33.9678	12.0000	0.0000	40.0000
13.2153	72.0000	106.3838	0.0000	0.0000	106.3838	34.3838	12.0000	0.0000	40.0000
13.5437	72.0000	104.7481	0.0000	0.0000	104.7481	32.7481	12.0000	0.0000	40.0000
13.8932	72.0000	103.0077	0.0000	0.0000	103.0077	31.0077	12.0000	0.0000	40.0000
14.2704	72.0000	98.4350	0.0000	0.0000	98.4350	26.4350	12.0000	0.0000	40.0000
14.6478	72.0000	92.7970	0.0000	0.0000	92.7970	20.7970	12.0000	0.0000	40.0000
14.9959	72.0000	87.5959	0.0000	0.0000	87.5959	15.5959	12.0000	0.0000	40.0000
15.3214	72.0000	87.1341	0.0000	0.0000	87.1341	15.1341	12.0000	0.0000	40.0000
15.6566	72.0000	86.7168	0.0000	0.0000	86.7168	14.7168	12.0000	0.0000	40.0000
16.0241	72.0000	84.1565	0.0000	0.0000	84.1565	12.1565	12.0000	0.0000	40.0000
16.1616	72.0000	72.0000	0.0000	0.0000	72.0000	0.0000	12.0000	0.0000	40.0000
16.1616	72.0000	72.0000	0.0000	0.0000	72.0000	0.0000	12.0000	0.0000	40.0000
16.1616	72.0000	72.0000	0.0000	0.0000	72.0000	0.0000	12.0000	0.0000	40.0000
16.1616	72.0000	72.0000	0.0000	0.0000	72.0000	0.0000	12.0000	0.0000	40.0000

16.1616	72.0000	72.0000	0.0000	0.0000	72.0000	0.0000	12.0000	0.0000	40.0000
16.1616	72.0000	72.0000	0.0000	0.0000	72.0000	0.0000	12.0000	0.0000	40.0000
16.1616	72.0000	72.0000	0.0000	0.0000	72.0000	0.0000	12.0000	0.0000	40.0000
16.1616	72.0000	72.0000	0.0000	0.0000	72.0000	0.0000	12.0000	0.0000	40.0000
16.1616	72.0000	72.0000	0.0000	0.0000	72.0000	0.0000	12.0000	0.0000	40.0000
16.1616	72.0000	72.0000	0.0000	0.0000	72.0000	0.0000	12.0000	0.0000	40.0000
16.1616	72.0000	72.0000	0.0000	0.0000	72.0000	0.0000	12.0000	0.0000	40.0000
16.1616	72.0000	72.0000	0.0000	0.0000	72.0000	0.0000	12.0000	0.0000	40.0000
16.1616	72.0000	72.0000	0.0000	0.0000	72.0000	0.0000	12.0000	0.0000	40.0000
16.1616	72.0000	72.0000	0.0000	0.0000	72.0000	0.0000	12.0000	0.0000	40.0000
16.1616	72.0000	71.9999	0.0000	0.0001	72.0000	0.0000	12.0000	0.0000	40.0000
16.1616	72.0000	71.9998	0.0000	0.0002	72.0000	0.0000	12.0000	0.0000	40.0000
16.1616	72.0000	71.9997	0.0000	0.0003	72.0000	0.0000	12.0000	0.0000	40.0000
16.1616	72.0000	71.9994	0.0000	0.0006	72.0000	0.0000	12.0000	0.0001	40.0000
16.1616	72.0000	71.9988	0.0000	0.0012	72.0000	0.0000	12.0000	0.0001	40.0000
16.1617	72.0000	71.9976	0.0000	0.0024	72.0000	0.0000	12.0000	0.0002	40.0000
16.1617	72.0000	71.9952	0.0000	0.0048	72.0000	0.0000	12.0000	0.0004	40.0000
16.1617	72.0000	71.9903	0.0000	0.0097	72.0000	0.0000	12.0000	0.0008	40.0000
16.1619	72.0000	71.9807	0.0000	0.0193	72.0000	0.0000	12.0000	0.0016	40.0000
16.1621	72.0000	71.9613	0.0000	0.0387	72.0000	0.0000	12.0000	0.0032	40.0000
16.1625	72.0000	71.9227	0.0000	0.0773	72.0000	0.0000	12.0000	0.0064	40.0000
16.1634	72.0000	71.8453	0.0000	0.1547	72.0000	0.0000	12.0000	0.0129	39.9999
16.1651	72.0000	71.6907	0.0000	0.3093	72.0000	0.0000	12.0000	0.0258	39.9995
16.1686	72.0000	71.3813	0.0000	0.6187	72.0000	0.0000	11.9999	0.0516	39.9978
16.1756	72.0000	70.7626	0.0000	1.2374	72.0000	0.0000	11.9998	0.1031	39.9913
16.1896	72.0000	69.5252	0.0000	2.4748	72.0000	0.0000	11.9997	0.2062	39.9654

16.2176	72.0000	67.0505	0.0000	4.9495	72.0000	0.0000	11.9994	0.4125	39.8614
16.2736	72.0000	62.1009	0.0000	9.8991	72.0000	0.0000	11.9988	0.8250	39.4458
16.3856	72.0000	52.2018	0.0000	19.7982	72.0000	0.0000	11.9975	1.6502	37.7835
16.6095	72.0000	32.4036	0.0000	39.5964	72.0000	0.0000	11.9950	3.3011	31.1356
16.7830	72.0000	17.0665	0.0000	54.9335	72.0000	0.0000	11.9901	4.5816	22.9335
16.7830	72.0000	17.0665	98.0762	-43.1426	72.0000	0.0000	11.9863	-3.5993	22.9335
17.2309	77.3595	-2.1146	98.0589	-18.5849	77.3595	0.0000	12.0108	-1.5473	35.2976
17.5638	86.6577	-2.1146	98.0561	-9.2838	86.6577	0.0000	12.0046	-0.7734	40.0000
17.5638	86.6577	-2.1146	98.0561	0.0000	95.9415	9.2838	12.0023	0.0000	40.0000
17.8342	96.0318	-2.1146	98.1464	0.0000	96.0318	0.0000	12.0000	0.0000	40.0000
17.8342	96.0318	-2.1146	98.1464	0.0000	96.0318	0.0000	12.0000	0.0000	40.0000
17.8342	96.0318	-2.1146	98.1464	0.0000	96.0318	0.0000	12.0000	0.0000	40.0000
17.8342	96.0318	-2.1146	98.1464	0.0000	96.0318	0.0000	12.0000	0.0000	40.0000
17.8342	96.0318	-2.1146	98.1464	0.0000	96.0318	0.0000	12.0000	0.0000	40.0000
17.8342	96.0318	-2.1146	98.1464	0.0000	96.0318	0.0000	12.0000	0.0000	40.0000
17.8342	96.0318	-2.1146	98.1464	0.0000	96.0318	0.0000	12.0000	0.0000	40.0000
17.8342	96.0318	-2.1146	98.1464	0.0000	96.0318	0.0000	12.0000	0.0000	40.0000
17.8342	96.0318	-2.1146	98.1464	0.0000	96.0318	0.0000	12.0000	0.0000	40.0000
17.8342	96.0318	-2.1146	98.1464	0.0000	96.0318	0.0000	12.0000	0.0000	40.0000
17.8342	96.0318	-2.1146	98.1464	0.0000	96.0318	0.0000	12.0000	0.0000	40.0000
17.8342	96.0318	-2.1146	98.1464	0.0000	96.0318	0.0000	12.0000	0.0000	40.0000
17.8342	96.0318	-2.1146	98.1464	0.0000	96.0318	0.0000	12.0000	0.0000	40.0000
17.8342	96.0318	-2.1146	98.1464	0.0000	96.0318	0.0000	12.0000	0.0000	40.0000
17.8342	96.0318	-2.1146	98.1464	0.0001	96.0318	0.0000	12.0000	0.0000	40.0000
17.8342	96.0319	-2.1146	98.1464	0.0001	96.0319	0.0000	12.0000	0.0000	40.0000
17.8342	96.0320	-2.1146	98.1464	0.0002	96.0320	0.0000	12.0000	0.0000	40.0000

17.8342	96.0322	-2.1146	98.1464	0.0005	96.0322	0.0000	12.0000	0.0000	40.0000
17.8342	96.0327	-2.1146	98.1464	0.0009	96.0327	0.0000	12.0000	0.0001	40.0000
17.8342	96.0336	-2.1146	98.1464	0.0018	96.0336	0.0000	12.0000	0.0002	40.0000
17.8343	96.0354	-2.1146	98.1463	0.0037	96.0354	0.0000	12.0000	0.0003	40.0000
17.8343	96.0390	-2.1146	98.1463	0.0073	96.0390	0.0000	12.0000	0.0006	40.0000
17.8345	96.0462	-2.1146	98.1462	0.0147	96.0462	0.0000	12.0000	0.0012	40.0000
17.8349	96.0607	-2.1146	98.1459	0.0294	96.0607	0.0000	12.0000	0.0024	40.0000
17.8357	96.0896	-2.1146	98.1455	0.0587	96.0896	0.0000	12.0000	0.0049	40.0000
17.8372	96.1475	-2.1146	98.1446	0.1175	96.1475	0.0000	12.0000	0.0098	39.9998
17.8402	96.2634	-2.1146	98.1428	0.2352	96.2634	0.0000	12.0000	0.0196	39.9993
17.8462	96.4962	-2.1146	98.1394	0.4714	96.4962	0.0000	11.9999	0.0393	39.9972
17.8582	96.9651	-2.1146	98.1332	0.9465	96.9651	0.0000	11.9999	0.0789	39.9886
17.8823	97.9168	-2.1146	98.1227	1.9087	97.9168	0.0000	11.9998	0.1591	39.9543
17.9304	99.8773	-2.1146	98.1077	3.8842	99.8773	0.0000	11.9995	0.3237	39.8153
18.0266	102.8571	-2.1146	98.0919	6.8798	102.8571	0.0000	11.9990	0.5734	39.2564
18.2159	102.8571	-2.1146	98.0832	6.8886	102.8571	0.0000	11.9983	0.5741	37.9531
18.5977	102.8571	-2.1146	98.0844	6.8873	102.8571	0.0000	11.9983	0.5740	35.3225
19.2252	102.8571	-2.1146	98.2060	6.7658	102.8571	0.0000	11.9983	0.5639	30.9854
19.4854	102.8571	-2.1146	98.1089	6.8629	102.8571	0.0000	11.9983	0.5720	29.2029
19.7456	102.8571	-2.1146	98.0873	6.8844	102.8571	0.0000	11.9983	0.5738	27.4123
20.1406	102.8571	-2.1146	98.0935	6.8783	102.8571	0.0000	11.9983	0.5733	24.6899
20.6398	102.8571	-2.1146	98.1902	6.7815	102.8571	0.0000	11.9983	0.5652	21.2399
20.9182	102.8571	-2.1146	98.1119	6.8598	102.8571	0.0000	11.9983	0.5717	19.3296
21.1966	102.8571	-2.1146	98.0898	6.8819	102.8571	0.0000	11.9983	0.5736	17.4134
21.5798	102.8571	-2.1146	98.0955	6.8763	102.8571	0.0000	11.9983	0.5731	14.7723
22.0486	100.7580	-2.1146	98.1660	4.7066	100.7580	0.0000	11.9983	0.3923	11.6635

22.1676	95.9625	-2.1146	98.0771	0.0000	95.9625	0.0000	11.9988	0.0000	11.3926
22.1676	95.9625	-2.1146	98.0771	0.0000	95.9625	0.0000	12.0000	0.0000	11.3926
22.4613	85.8783	-2.1146	98.0797	-10.0868	85.8783	0.0000	12.0000	-0.8406	12.9293
22.7550	77.7119	-2.1146	98.0806	-18.2541	77.7119	0.0000	12.0025	-1.5209	17.1323
23.3424	72.0000	-2.1146	98.0682	-23.9536	72.0000	0.0000	12.0046	-1.9954	30.5078
23.7164	72.0000	-2.1146	98.0628	-23.9482	72.0000	0.0000	12.0060	-1.9947	39.4749
23.7384	72.0000	-2.1146	98.0682	-23.9536	72.0000	0.0000	12.0060	-1.9951	40.0000
23.7384	72.0000	-2.1146	98.0682	0.0000	95.9536	23.9536	12.0060	0.0000	40.0000
24.1124	72.0000	-2.1146	98.0628	0.0000	95.9482	23.9482	12.0000	0.0000	40.0000
24.4865	72.0000	-2.1146	98.0551	0.0000	95.9404	23.9404	12.0000	0.0000	40.0000
24.8915	72.0000	-2.1146	98.0201	0.0000	95.9055	23.9055	12.0000	0.0000	40.0000
25.2638	72.0000	-2.1146	97.9971	0.0000	95.8825	23.8825	12.0000	0.0000	40.0000
25.5826	72.0000	-2.1146	98.0351	0.0000	95.9205	23.9205	12.0000	0.0000	40.0000
25.8896	72.0000	-2.1146	98.0606	0.0000	95.9460	23.9460	12.0000	0.0000	40.0000
26.2378	72.0000	-2.1146	98.0623	0.0000	95.9477	23.9477	12.0000	0.0000	40.0000
26.6388	72.0000	-2.1146	98.0398	0.0000	95.9252	23.9252	12.0000	0.0000	40.0000
27.0370	72.0000	-2.1146	97.9944	0.0000	95.8798	23.8798	12.0000	0.0000	40.0000
27.3776	72.0000	-2.1146	98.0116	0.0000	95.8970	23.8970	12.0000	0.0000	40.0000
27.6794	72.0000	-2.1146	98.0527	0.0000	95.9381	23.9381	12.0000	0.0000	40.0000
28.0009	72.0068	-2.1146	98.0648	0.0000	95.9502	23.9434	12.0000	0.0000	40.0000
28.3817	74.8575	-2.1146	98.0553	0.0000	95.9407	21.0832	12.0000	0.0000	40.0000
28.7952	78.2198	-2.1146	98.0122	0.0000	95.8975	17.6778	12.0000	0.0000	40.0000
29.1666	80.7473	-2.1146	97.9874	0.0000	95.8728	15.1256	12.0000	0.0000	40.0000
29.4778	82.1817	-2.1146	98.0361	0.0000	95.9215	13.7398	12.0000	0.0000	40.0000
29.7793	83.6205	-2.1146	98.0629	0.0000	95.9482	12.3278	12.0000	0.0000	40.0000
30.1302	84.7059	-2.1146	98.0636	0.0000	95.9490	11.2431	12.0000	0.0000	40.0000

30.5401	84.7059	-2.1146	98.0370	0.0000	95.9223	11.2165	12.0000	0.0000	40.0000
30.9423	84.7059	-2.1146	97.9822	0.0000	95.8676	11.1617	12.0000	0.0000	40.0000
31.0243	84.3448	0.0000	98.0912	0.0000	98.0912	13.7465	12.0000	0.0000	40.0000
31.0243	84.3448	0.0000	0.0000	84.3448	84.3448	0.0000	12.0000	7.0287	40.0000
31.0243	84.3448	0.0000	0.0000	84.3448	84.3448	0.0000	11.9789	7.0411	40.0000
31.3597	79.6500	29.2364	0.0000	50.4136	79.6500	0.0000	11.9789	4.2085	17.4062
31.6951	75.4503	58.4728	0.0000	16.9775	75.4503	0.0000	11.9874	1.4163	6.1048
31.7818	74.4358	66.0302	0.0000	8.4055	74.4358	0.0000	11.9958	0.7007	5.0000
31.7818	74.4358	66.0302	0.0000	0.0000	66.0302	-8.4055	11.9979	0.0000	5.0000
31.8671	73.4641	73.4641	0.0000	0.0000	73.4641	0.0000	12.0000	0.0000	5.0000
31.8671	73.4641	73.4641	0.0000	0.0000	73.4641	0.0000	12.0000	0.0000	5.0000
31.8671	73.4641	73.4641	0.0000	0.0000	73.4641	0.0000	12.0000	0.0000	5.0000
31.8671	73.4641	73.4641	0.0000	0.0000	73.4641	0.0000	12.0000	0.0000	5.0000
31.8671	73.4641	73.4641	0.0000	0.0000	73.4641	0.0000	12.0000	0.0000	5.0000
31.8671	73.4641	73.4641	0.0000	0.0000	73.4641	0.0000	12.0000	0.0000	5.0000
31.8671	73.4641	73.4641	0.0000	0.0000	73.4641	0.0000	12.0000	0.0000	5.0000
31.8671	73.4641	73.4641	0.0000	0.0000	73.4641	0.0000	12.0000	0.0000	5.0000
31.8671	73.4641	73.4641	0.0000	0.0000	73.4641	0.0000	12.0000	0.0000	5.0000
31.8671	73.4641	73.4641	0.0000	0.0000	73.4641	0.0000	12.0000	0.0000	5.0000
31.8671	73.4641	73.4641	0.0000	0.0000	73.4641	0.0000	12.0000	0.0000	5.0000
31.8671	73.4641	73.4641	0.0000	0.0000	73.4641	0.0000	12.0000	0.0000	5.0000
31.8671	73.4641	73.4641	0.0000	0.0000	73.4641	0.0000	12.0000	0.0000	5.0000
31.8671	73.4641	73.4641	0.0000	0.0000	73.4641	0.0000	12.0000	0.0000	5.0000
31.8671	73.4641	73.4641	0.0000	0.0000	73.4641	0.0000	12.0000	0.0000	5.0000
31.8671	73.4641	73.4641	0.0000	0.0000	73.4641	0.0000	12.0000	0.0000	5.0000
31.8671	73.4641	73.4641	0.0000	0.0000	73.4641	0.0000	12.0000	0.0000	5.0000
31.8671	73.4641	73.4641	0.0000	0.0000	73.4641	0.0000	12.0000	0.0000	5.0000
31.8671	73.4641	73.4641	0.0000	0.0000	73.4641	0.0000	12.0000	0.0000	5.0000
31.8671	73.4641	73.4641	0.0000	0.0000	73.4641	0.0000	12.0000	0.0000	5.0000

31.8671	73.4641	73.4641	0.0000	0.0000	73.4641	0.0000	12.0000	0.0000	5.0000
31.8671	73.4641	73.4641	0.0000	0.0000	73.4641	0.0000	12.0000	0.0000	5.0000
31.8671	73.4641	73.4641	0.0000	0.0000	73.4641	0.0000	12.0000	0.0000	5.0000
31.8671	73.4641	73.4641	0.0000	0.0000	73.4641	0.0000	12.0000	0.0000	5.0000
31.8671	73.4641	73.4641	0.0000	0.0000	73.4641	0.0000	12.0000	0.0000	5.0000
31.8671	73.4641	73.4641	0.0000	0.0000	73.4641	0.0000	12.0000	0.0000	5.0000
31.8671	73.4641	73.4641	0.0000	0.0000	73.4641	0.0000	12.0000	0.0000	5.0000
31.8671	73.4641	73.4641	0.0000	-0.0001	73.4641	0.0000	12.0000	0.0000	5.0000
31.8671	73.4641	73.4642	0.0000	-0.0001	73.4641	0.0000	12.0000	0.0000	5.0000
31.8671	73.4640	73.4643	0.0000	-0.0003	73.4640	0.0000	12.0000	0.0000	5.0000
31.8671	73.4640	73.4645	0.0000	-0.0005	73.4640	0.0000	12.0000	0.0000	5.0000
31.8671	73.4640	73.4650	0.0000	-0.0010	73.4640	0.0000	12.0000	-0.0001	5.0000
31.8672	73.4638	73.4659	0.0000	-0.0021	73.4638	0.0000	12.0000	-0.0002	5.0000
31.8672	73.4636	73.4677	0.0000	-0.0041	73.4636	0.0000	12.0000	-0.0003	5.0000
31.8672	73.4631	73.4713	0.0000	-0.0082	73.4631	0.0000	12.0000	-0.0007	5.0000
31.8673	73.4622	73.4786	0.0000	-0.0164	73.4622	0.0000	12.0000	-0.0014	5.0000
31.8675	73.4603	73.4931	0.0000	-0.0327	73.4603	0.0000	12.0000	-0.0027	5.0000
31.8678	73.4566	73.5220	0.0000	-0.0654	73.4566	0.0000	12.0000	-0.0055	5.0000
31.8685	73.4491	73.5800	0.0000	-0.1308	73.4491	0.0000	12.0000	-0.0109	5.0001
31.8698	73.4342	73.6958	0.0000	-0.2616	73.4342	0.0000	12.0000	-0.0218	5.0003
31.8725	73.4043	73.9276	0.0000	-0.5233	73.4043	0.0000	12.0001	-0.0436	5.0014
31.8778	73.3447	74.3911	0.0000	-1.0464	73.3447	0.0000	12.0001	-0.0872	5.0056
31.8884	73.2257	75.3181	0.0000	-2.0924	73.2257	0.0000	12.0003	-0.1744	5.0223
31.9097	72.9888	77.1722	0.0000	-4.1833	72.9888	0.0000	12.0005	-0.3486	5.0890
31.9522	72.5197	80.8802	0.0000	-8.3605	72.5197	0.0000	12.0010	-0.6967	5.3559
32.0373	72.0000	85.0905	0.0000	-13.0905	72.0000	0.0000	12.0021	-1.0907	6.3473

32.2075	72.0000	85.3024	0.0000	-13.3024	72.0000	0.0000	12.0033	-1.1082	8.5932
32.5478	72.0000	85.7262	0.0000	-13.7262	72.0000	0.0000	12.0033	-1.1435	13.1928
33.2285	72.0000	87.4274	0.0000	-15.4274	72.0000	0.0000	12.0034	-1.2853	22.9287
33.5522	72.0000	89.0393	0.0000	-17.0393	72.0000	0.0000	12.0039	-1.4195	28.1827
33.8758	72.0000	90.6512	0.0000	-18.6512	72.0000	0.0000	12.0043	-1.5537	33.9583
34.1886	72.0000	91.7393	0.0000	-19.7393	72.0000	0.0000	12.0047	-1.6443	40.0000
34.1886	72.0000	91.7393	0.0000	0.0000	91.7393	19.7393	12.0049	0.0000	40.0000
34.6137	72.0000	92.7979	0.0000	0.0000	92.7979	20.7979	12.0000	0.0000	40.0000
35.0388	72.1398	94.0494	0.0000	0.0000	94.0494	21.9096	12.0000	0.0000	40.0000
35.4339	73.5967	97.0014	0.0000	0.0000	97.0014	23.4048	12.0000	0.0000	40.0000
35.7517	74.8119	99.3758	0.0000	0.0000	99.3758	24.5639	12.0000	0.0000	40.0000
36.0388	75.6349	101.3757	0.0000	0.0000	101.3757	25.7408	12.0000	0.0000	40.0000
36.3689	74.3460	102.6086	0.0000	0.0000	102.6086	28.2627	12.0000	0.0000	40.0000
36.7742	72.8222	104.1225	0.0000	0.0000	104.1225	31.3003	12.0000	0.0000	40.0000
37.1983	72.0000	104.4722	0.0000	0.0000	104.4722	32.4722	12.0000	0.0000	40.0000
37.5528	72.0000	103.5893	0.0000	0.0000	103.5893	31.5893	12.0000	0.0000	40.0000
37.8442	72.0000	102.8637	0.0000	0.0000	102.8637	30.8637	12.0000	0.0000	40.0000
38.1437	72.0000	100.1504	0.0000	0.0000	100.1504	28.1504	12.0000	0.0000	40.0000
38.5128	72.0000	94.1747	0.0000	0.0000	94.1747	22.1747	12.0000	0.0000	40.0000
38.9429	72.0000	87.2141	0.0000	0.0000	87.2141	15.2141	12.0000	0.0000	40.0000
39.2575	72.0000	85.9686	0.0000	0.0000	85.9686	13.9686	12.0000	0.0000	40.0000
39.5722	72.0000	85.5768	0.0000	0.0000	85.5768	13.5768	12.0000	0.0000	40.0000
39.9467	72.0000	85.1105	0.0000	0.0000	85.1105	13.1105	12.0000	0.0000	40.0000
40.1497	72.0000	72.0000	0.0000	0.0000	72.0000	0.0000	12.0000	0.0000	40.0000
40.1497	72.0000	72.0000	0.0000	0.0000	72.0000	0.0000	12.0000	0.0000	40.0000
40.1497	72.0000	72.0000	0.0000	0.0000	72.0000	0.0000	12.0000	0.0000	40.0000

40.1512	72.0000	71.8686	0.0000	0.1314	72.0000	0.0000	12.0000	0.0109	39.9999
40.1527	72.0000	71.7373	0.0000	0.2627	72.0000	0.0000	12.0000	0.0219	39.9996
40.1557	72.0000	71.4747	0.0000	0.5253	72.0000	0.0000	11.9999	0.0438	39.9984
40.1617	72.0000	70.9494	0.0000	1.0506	72.0000	0.0000	11.9999	0.0875	39.9937
40.1738	72.0000	69.8989	0.0000	2.1011	72.0000	0.0000	11.9997	0.1751	39.9747
40.1979	72.0000	67.7979	0.0000	4.2021	72.0000	0.0000	11.9995	0.3502	39.8987
40.2461	72.0000	63.5958	0.0000	8.4042	72.0000	0.0000	11.9989	0.7004	39.5948
40.3425	72.0000	55.1916	0.0000	16.8084	72.0000	0.0000	11.9979	1.4009	38.3795
40.5354	72.0000	38.3832	0.0000	33.6168	72.0000	0.0000	11.9958	2.8024	33.5191
40.7783	72.0000	17.2117	0.0000	54.7883	72.0000	0.0000	11.9916	4.5689	22.7883
40.7783	72.0000	17.2117	98.0827	-43.2944	72.0000	0.0000	11.9863	-3.6120	22.7883
41.1640	75.7247	-2.1146	98.0838	-20.2445	75.7247	0.0000	12.0108	-1.6855	33.9985
41.5497	86.2169	-2.1146	98.0858	-9.7542	86.2169	0.0000	12.0051	-0.8125	39.8662
41.5635	86.6481	-2.1146	98.0836	-9.3209	86.6481	0.0000	12.0024	-0.7766	40.0000
41.5635	86.6481	-2.1146	98.0836	0.0000	95.9690	9.3209	12.0023	0.0000	40.0000
41.8307	95.8994	-2.1146	98.0140	0.0000	95.8994	0.0000	12.0000	0.0000	40.0000
41.8307	95.8994	-2.1146	98.0140	0.0000	95.8994	0.0000	12.0000	0.0000	40.0000
41.8307	95.8994	-2.1146	98.0140	0.0000	95.8994	0.0000	12.0000	0.0000	40.0000
41.8307	95.8994	-2.1146	98.0140	0.0000	95.8994	0.0000	12.0000	0.0000	40.0000
41.8307	95.8994	-2.1146	98.0140	0.0000	95.8994	0.0000	12.0000	0.0000	40.0000
41.8307	95.8994	-2.1146	98.0140	0.0000	95.8994	0.0000	12.0000	0.0000	40.0000
41.8307	95.8994	-2.1146	98.0140	0.0000	95.8994	0.0000	12.0000	0.0000	40.0000
41.8307	95.8994	-2.1146	98.0140	0.0000	95.8994	0.0000	12.0000	0.0000	40.0000
41.8307	95.8994	-2.1146	98.0140	0.0000	95.8994	0.0000	12.0000	0.0000	40.0000
41.8307	95.8994	-2.1146	98.0140	0.0000	95.8994	0.0000	12.0000	0.0000	40.0000
41.8307	95.8994	-2.1146	98.0140	0.0000	95.8994	0.0000	12.0000	0.0000	40.0000
41.8307	95.8994	-2.1146	98.0140	0.0000	95.8994	0.0000	12.0000	0.0000	40.0000
41.8307	95.8994	-2.1146	98.0140	0.0000	95.8994	0.0000	12.0000	0.0000	40.0000
41.8307	95.8994	-2.1146	98.0140	0.0000	95.8994	0.0000	12.0000	0.0000	40.0000
41.8307	95.8994	-2.1146	98.0140	0.0000	95.8994	0.0000	12.0000	0.0000	40.0000

41.8307	95.8994	-2.1146	98.0140	0.0000	95.8994	0.0000	12.0000	0.0000	40.0000
41.8307	95.8994	-2.1146	98.0140	0.0000	95.8994	0.0000	12.0000	0.0000	40.0000
41.8307	95.8994	-2.1146	98.0140	0.0000	95.8994	0.0000	12.0000	0.0000	40.0000
41.8307	95.8994	-2.1146	98.0140	0.0000	95.8994	0.0000	12.0000	0.0000	40.0000
41.8307	95.8994	-2.1146	98.0140	0.0001	95.8994	0.0000	12.0000	0.0000	40.0000
41.8307	95.8995	-2.1146	98.0140	0.0001	95.8995	0.0000	12.0000	0.0000	40.0000
41.8307	95.8996	-2.1146	98.0140	0.0003	95.8996	0.0000	12.0000	0.0000	40.0000
41.8307	95.8999	-2.1146	98.0140	0.0005	95.8999	0.0000	12.0000	0.0000	40.0000
41.8307	95.9004	-2.1146	98.0140	0.0010	95.9004	0.0000	12.0000	0.0001	40.0000
41.8308	95.9014	-2.1146	98.0140	0.0020	95.9014	0.0000	12.0000	0.0002	40.0000
41.8308	95.9035	-2.1146	98.0140	0.0040	95.9035	0.0000	12.0000	0.0003	40.0000
41.8309	95.9075	-2.1146	98.0141	0.0081	95.9075	0.0000	12.0000	0.0007	40.0000
41.8311	95.9157	-2.1146	98.0142	0.0161	95.9157	0.0000	12.0000	0.0013	40.0000
41.8316	95.9321	-2.1146	98.0145	0.0322	95.9321	0.0000	12.0000	0.0027	40.0000
41.8324	95.9649	-2.1146	98.0150	0.0645	95.9649	0.0000	12.0000	0.0054	39.9999
41.8341	96.0306	-2.1146	98.0161	0.1291	96.0306	0.0000	12.0000	0.0108	39.9998
41.8375	96.1622	-2.1146	98.0181	0.2587	96.1622	0.0000	12.0000	0.0216	39.9991
41.8444	96.4265	-2.1146	98.0220	0.5190	96.4265	0.0000	11.9999	0.0433	39.9965
41.8581	96.9594	-2.1146	98.0291	1.0449	96.9594	0.0000	11.9999	0.0871	39.9858
41.8854	98.0431	-2.1146	98.0409	2.1168	98.0431	0.0000	11.9997	0.1764	39.9426
41.9402	100.2849	-2.1146	98.0570	4.3425	100.2849	0.0000	11.9995	0.3619	39.7664
42.0496	102.8571	-2.1146	98.0725	6.8993	102.8571	0.0000	11.9989	0.5750	39.0942
42.2685	102.8571	-2.1146	98.0797	6.8921	102.8571	0.0000	11.9983	0.5744	37.5852
42.7063	102.8571	-2.1146	98.0754	6.8964	102.8571	0.0000	11.9983	0.5748	34.5692
43.1625	102.8571	-2.1146	98.0524	6.9193	102.8571	0.0000	11.9983	0.5767	31.4279
43.5194	102.8571	-2.1146	98.0506	6.9212	102.8571	0.0000	11.9983	0.5768	28.9687

43.8763	102.8571	-2.1146	98.0487	6.9231	102.8571	0.0000	11.9983	0.5770	26.5096
44.2452	102.8571	-2.1146	98.0389	6.9329	102.8571	0.0000	11.9983	0.5778	23.9690
44.6075	102.8571	-2.1146	98.0319	6.9399	102.8571	0.0000	11.9983	0.5784	21.4731
44.9523	102.8571	-2.1146	98.0387	6.9331	102.8571	0.0000	11.9983	0.5778	19.0965
45.2895	102.8571	-2.1146	98.0490	6.9227	102.8571	0.0000	11.9983	0.5770	16.7717
45.6382	102.8571	-2.1146	98.0516	6.9202	102.8571	0.0000	11.9983	0.5768	14.3691
46.0048	102.6448	-2.1146	98.0440	6.7154	102.6448	0.0000	11.9983	0.5597	11.8536
46.1663	96.0146	-2.1146	98.1292	0.0000	96.0146	0.0000	11.9983	0.0000	11.3133
46.1663	96.0146	-2.1146	98.1292	0.0000	96.0146	0.0000	12.0000	0.0000	11.3133
46.5358	83.6497	-2.1146	98.1444	-12.3801	83.6497	0.0000	12.0000	-1.0317	13.6836
46.8707	74.9061	-2.1146	98.1271	-21.1064	74.9061	0.0000	12.0031	-1.7584	19.3305
47.1930	72.0000	-2.1146	98.1079	-23.9933	72.0000	0.0000	12.0053	-1.9986	26.8719
47.5389	72.0000	-2.1146	98.1047	-23.9900	72.0000	0.0000	12.0060	-1.9982	35.1614
47.7405	72.0000	-2.1146	98.0484	-23.9338	72.0000	0.0000	12.0060	-1.9935	40.0000
47.7405	72.0000	-2.1146	98.0484	0.0000	95.9338	23.9338	12.0060	0.0000	40.0000
48.1214	72.0000	-2.1146	98.0292	0.0000	95.9146	23.9146	12.0000	0.0000	40.0000
48.4811	72.0000	-2.1146	98.0232	0.0000	95.9086	23.9086	12.0000	0.0000	40.0000
48.8124	72.0000	-2.1146	98.0417	0.0000	95.9271	23.9271	12.0000	0.0000	40.0000
49.1410	72.0000	-2.1146	98.0555	0.0000	95.9409	23.9409	12.0000	0.0000	40.0000
49.4963	72.0000	-2.1146	98.0546	0.0000	95.9400	23.9400	12.0000	0.0000	40.0000
49.8786	72.0000	-2.1146	98.0380	0.0000	95.9234	23.9234	12.0000	0.0000	40.0000
50.2535	72.0000	-2.1146	98.0190	0.0000	95.9044	23.9044	12.0000	0.0000	40.0000
50.5949	72.0000	-2.1146	98.0307	0.0000	95.9161	23.9161	12.0000	0.0000	40.0000
50.9173	72.0000	-2.1146	98.0517	0.0000	95.9371	23.9371	12.0000	0.0000	40.0000
51.2567	72.0000	-2.1146	98.0581	0.0000	95.9435	23.9435	12.0000	0.0000	40.0000
51.6314	72.0000	-2.1146	98.0480	0.0000	95.9334	23.9334	12.0000	0.0000	40.0000

52.0182	72.0657	-2.1146	98.0231	0.0000	95.9085	23.8428	12.0000	0.0000	40.0000
52.3760	73.3797	-2.1146	98.0185	0.0000	95.9039	22.5242	12.0000	0.0000	40.0000
52.7003	74.6127	-2.1146	98.0434	0.0000	95.9288	21.3160	12.0000	0.0000	40.0000
53.0250	80.0556	-2.1146	98.0582	0.0000	95.9436	15.8881	12.0000	0.0000	40.0000
53.3842	80.8629	-2.1146	98.0559	0.0000	95.9412	15.0784	12.0000	0.0000	40.0000
53.7745	81.7589	-2.1146	98.0343	0.0000	95.9197	14.1608	12.0000	0.0000	40.0000
54.1516	82.6436	-2.1146	98.0112	0.0000	95.8966	13.2530	12.0000	0.0000	40.0000
54.4870	83.4468	-2.1146	98.0299	0.0000	95.9153	12.4686	12.0000	0.0000	40.0000
54.8028	84.2174	-2.1146	98.0545	0.0000	95.9399	11.7225	12.0000	0.0000	40.0000
55.0243	84.3448	0.0000	98.0871	0.0000	98.0871	13.7423	12.0000	0.0000	40.0000
55.0243	84.3448	0.0000	0.0000	84.3448	84.3448	0.0000	12.0000	7.0287	40.0000
55.0243	84.3448	0.0000	0.0000	84.3448	84.3448	0.0000	11.9789	7.0411	40.0000
55.3637	79.5973	29.5842	0.0000	50.0131	79.5973	0.0000	11.9789	4.1751	17.2057
55.7031	75.3558	59.1684	0.0000	16.1874	75.3558	0.0000	11.9875	1.3504	5.9723
55.7858	74.3902	66.3743	0.0000	8.0159	74.3902	0.0000	11.9959	0.6682	5.0000
55.7858	74.3902	66.3743	0.0000	0.0000	66.3743	-8.0159	11.9980	0.0000	5.0000
55.8671	73.4641	73.4641	0.0000	0.0000	73.4641	0.0000	12.0000	0.0000	5.0000
55.8671	73.4641	73.4641	0.0000	0.0000	73.4641	0.0000	12.0000	0.0000	5.0000
55.8671	73.4641	73.4641	0.0000	0.0000	73.4641	0.0000	12.0000	0.0000	5.0000
55.8671	73.4641	73.4641	0.0000	0.0000	73.4641	0.0000	12.0000	0.0000	5.0000
55.8671	73.4641	73.4641	0.0000	0.0000	73.4641	0.0000	12.0000	0.0000	5.0000
55.8671	73.4641	73.4641	0.0000	0.0000	73.4641	0.0000	12.0000	0.0000	5.0000
55.8671	73.4641	73.4641	0.0000	0.0000	73.4641	0.0000	12.0000	0.0000	5.0000
55.8671	73.4641	73.4641	0.0000	0.0000	73.4641	0.0000	12.0000	0.0000	5.0000
55.8671	73.4641	73.4641	0.0000	0.0000	73.4641	0.0000	12.0000	0.0000	5.0000
55.8671	73.4641	73.4641	0.0000	0.0000	73.4641	0.0000	12.0000	0.0000	5.0000
55.8671	73.4641	73.4641	0.0000	0.0000	73.4641	0.0000	12.0000	0.0000	5.0000

55.8673	73.4622	73.4784	0.0000	-0.0162	73.4622	0.0000	12.0000	-0.0013	5.0000
55.8675	73.4604	73.4927	0.0000	-0.0323	73.4604	0.0000	12.0000	-0.0027	5.0000
55.8678	73.4567	73.5213	0.0000	-0.0646	73.4567	0.0000	12.0000	-0.0054	5.0000
55.8685	73.4493	73.5786	0.0000	-0.1293	73.4493	0.0000	12.0000	-0.0108	5.0001
55.8698	73.4346	73.6931	0.0000	-0.2585	73.4346	0.0000	12.0000	-0.0215	5.0003
55.8724	73.4050	73.9221	0.0000	-0.5170	73.4050	0.0000	12.0001	-0.0431	5.0014
55.8776	73.3461	74.3800	0.0000	-1.0339	73.3461	0.0000	12.0001	-0.0862	5.0054
55.8882	73.2285	75.2960	0.0000	-2.0674	73.2285	0.0000	12.0003	-0.1723	5.0217
55.9092	72.9945	77.1278	0.0000	-4.1334	72.9945	0.0000	12.0005	-0.3444	5.0869
55.9512	72.5308	80.7916	0.0000	-8.2608	72.5308	0.0000	12.0010	-0.6883	5.3474
56.0353	72.0000	85.1319	0.0000	-13.1319	72.0000	0.0000	12.0021	-1.0941	6.3221
56.2034	72.0000	85.5506	0.0000	-13.5506	72.0000	0.0000	12.0033	-1.1289	8.5655
56.5397	72.0000	86.3881	0.0000	-14.3881	72.0000	0.0000	12.0034	-1.1987	13.2633
57.2123	72.0000	88.5915	0.0000	-16.5915	72.0000	0.0000	12.0036	-1.3822	23.5610
57.5596	72.0000	90.3212	0.0000	-18.3212	72.0000	0.0000	12.0041	-1.5262	29.6238
57.9069	72.0000	92.0509	0.0000	-20.0509	72.0000	0.0000	12.0046	-1.6703	36.2873
58.0879	72.0000	92.9528	0.0000	-20.9528	72.0000	0.0000	12.0050	-1.7453	40.0000
58.0879	72.0000	92.9528	0.0000	0.0000	92.9528	20.9528	12.0052	0.0000	40.0000
58.4161	72.0000	94.5874	0.0000	0.0000	94.5874	22.5874	12.0000	0.0000	40.0000
58.7443	72.0000	96.2220	0.0000	0.0000	96.2220	24.2220	12.0000	0.0000	40.0000
59.1189	72.8665	98.2356	0.0000	0.0000	98.2356	25.3691	12.0000	0.0000	40.0000
59.5187	75.9393	100.7248	0.0000	0.0000	100.7248	24.7854	12.0000	0.0000	40.0000
59.8866	79.0041	103.0146	0.0000	0.0000	103.0146	24.0104	12.0000	0.0000	40.0000
60.2067	78.2037	104.7504	0.0000	0.0000	104.7504	26.5467	12.0000	0.0000	40.0000
60.5187	75.6408	106.3041	0.0000	0.0000	106.3041	30.6633	12.0000	0.0000	40.0000
60.8703	72.9459	108.0555	0.0000	0.0000	108.0555	35.1096	12.0000	0.0000	40.0000

61.2687	72.0000	107.0286	0.0000	0.0000	107.0286	35.0286	12.0000	0.0000	40.0000
61.6607	72.0000	104.5880	0.0000	0.0000	104.5880	32.5880	12.0000	0.0000	40.0000
61.9994	72.0000	102.4792	0.0000	0.0000	102.4792	30.4792	12.0000	0.0000	40.0000
62.3049	72.0000	97.9201	0.0000	0.0000	97.9201	25.9201	12.0000	0.0000	40.0000
62.6316	72.0000	93.0388	0.0000	0.0000	93.0388	21.0388	12.0000	0.0000	40.0000
63.0134	72.0000	87.5176	0.0000	0.0000	87.5176	15.5176	12.0000	0.0000	40.0000
63.4215	72.0000	87.0095	0.0000	0.0000	87.0095	15.0095	12.0000	0.0000	40.0000
63.7878	72.0000	86.5534	0.0000	0.0000	86.5534	14.5534	12.0000	0.0000	40.0000
64.1000	72.0000	77.4484	0.0000	0.0000	77.4484	5.4484	12.0000	0.0000	40.0000
64.1616	72.0000	72.0000	0.0000	0.0000	72.0000	0.0000	12.0000	0.0000	40.0000
64.1616	72.0000	72.0000	0.0000	0.0000	72.0000	0.0000	12.0000	0.0000	40.0000
64.1616	72.0000	72.0000	0.0000	0.0000	72.0000	0.0000	12.0000	0.0000	40.0000
64.1616	72.0000	72.0000	0.0000	0.0000	72.0000	0.0000	12.0000	0.0000	40.0000
64.1616	72.0000	72.0000	0.0000	0.0000	72.0000	0.0000	12.0000	0.0000	40.0000
64.1616	72.0000	72.0000	0.0000	0.0000	72.0000	0.0000	12.0000	0.0000	40.0000
64.1616	72.0000	72.0000	0.0000	0.0000	72.0000	0.0000	12.0000	0.0000	40.0000
64.1616	72.0000	72.0000	0.0000	0.0000	72.0000	0.0000	12.0000	0.0000	40.0000
64.1616	72.0000	72.0000	0.0000	0.0000	72.0000	0.0000	12.0000	0.0000	40.0000
64.1616	72.0000	72.0000	0.0000	0.0000	72.0000	0.0000	12.0000	0.0000	40.0000
64.1616	72.0000	72.0000	0.0000	0.0000	72.0000	0.0000	12.0000	0.0000	40.0000
64.1616	72.0000	72.0000	0.0000	0.0000	72.0000	0.0000	12.0000	0.0000	40.0000
64.1616	72.0000	72.0000	0.0000	0.0000	72.0000	0.0000	12.0000	0.0000	40.0000
64.1616	72.0000	72.0000	0.0000	0.0000	72.0000	0.0000	12.0000	0.0000	40.0000
64.1616	72.0000	72.0000	0.0000	0.0000	72.0000	0.0000	12.0000	0.0000	40.0000
64.1616	72.0000	72.0000	0.0000	0.0000	72.0000	0.0000	12.0000	0.0000	40.0000
64.1616	72.0000	72.0000	0.0000	0.0000	72.0000	0.0000	12.0000	0.0000	40.0000
64.1616	72.0000	72.0000	0.0000	0.0000	72.0000	0.0000	12.0000	0.0000	40.0000
64.1616	72.0000	72.0000	0.0000	0.0000	72.0000	0.0000	12.0000	0.0000	40.0000
64.1616	72.0000	71.9999	0.0000	0.0001	72.0000	0.0000	12.0000	0.0000	40.0000
64.1616	72.0000	71.9999	0.0000	0.0001	72.0000	0.0000	12.0000	0.0000	40.0000

64.1616	72.0000	71.9998	0.0000	0.0002	72.0000	0.0000	12.0000	0.0000	40.0000
64.1616	72.0000	71.9995	0.0000	0.0005	72.0000	0.0000	12.0000	0.0000	40.0000
64.1616	72.0000	71.9991	0.0000	0.0009	72.0000	0.0000	12.0000	0.0001	40.0000
64.1617	72.0000	71.9982	0.0000	0.0018	72.0000	0.0000	12.0000	0.0002	40.0000
64.1617	72.0000	71.9964	0.0000	0.0036	72.0000	0.0000	12.0000	0.0003	40.0000
64.1617	72.0000	71.9927	0.0000	0.0073	72.0000	0.0000	12.0000	0.0006	40.0000
64.1618	72.0000	71.9855	0.0000	0.0145	72.0000	0.0000	12.0000	0.0012	40.0000
64.1620	72.0000	71.9709	0.0000	0.0291	72.0000	0.0000	12.0000	0.0024	40.0000
64.1623	72.0000	71.9419	0.0000	0.0581	72.0000	0.0000	12.0000	0.0048	40.0000
64.1630	72.0000	71.8837	0.0000	0.1163	72.0000	0.0000	12.0000	0.0097	39.9999
64.1643	72.0000	71.7675	0.0000	0.2325	72.0000	0.0000	12.0000	0.0194	39.9997
64.1669	72.0000	71.5349	0.0000	0.4651	72.0000	0.0000	11.9999	0.0388	39.9988
64.1722	72.0000	71.0698	0.0000	0.9302	72.0000	0.0000	11.9999	0.0775	39.9951
64.1827	72.0000	70.1397	0.0000	1.8603	72.0000	0.0000	11.9998	0.1550	39.9804
64.2037	72.0000	68.2794	0.0000	3.7206	72.0000	0.0000	11.9995	0.3101	39.9217
64.2458	72.0000	64.5588	0.0000	7.4412	72.0000	0.0000	11.9991	0.6201	39.6868
64.3300	72.0000	57.1176	0.0000	14.8824	72.0000	0.0000	11.9981	1.2404	38.7475
64.4983	72.0000	42.2351	0.0000	29.7649	72.0000	0.0000	11.9963	2.4812	34.9906
64.7831	72.0000	17.0619	0.0000	54.9381	72.0000	0.0000	11.9926	4.5810	22.9381
64.7831	72.0000	17.0619	98.0808	-43.1427	72.0000	0.0000	11.9863	-3.5993	22.9381
65.1198	75.6231	-2.1146	98.0809	-20.3432	75.6231	0.0000	12.0108	-1.6937	32.9322
65.4565	88.0827	-2.1146	98.0810	-7.8836	88.0827	0.0000	12.0051	-0.6567	37.7879
65.6245	95.9756	-2.1146	98.0902	0.0000	95.9756	0.0000	12.0020	0.0000	38.6813
65.6245	95.9756	-2.1146	98.0902	0.0000	95.9756	0.0000	12.0000	0.0000	38.6813
66.0379	119.6226	-2.1146	98.1053	23.6319	119.6226	0.0000	12.0000	1.9693	33.7235
66.4512	115.6516	-2.1146	98.1454	19.6208	115.6516	0.0000	11.9941	1.6359	24.7754

70.1676	95.9646	-2.1146	98.0792	0.0000	95.9646	0.0000	12.0000	0.0000	5.0000
70.1676	95.9646	-2.1146	98.0792	0.0000	95.9646	0.0000	12.0000	0.0000	5.0000
70.1676	95.9646	-2.1146	98.0792	0.0000	95.9646	0.0000	12.0000	0.0000	5.0000
70.1676	95.9646	-2.1146	98.0792	0.0000	95.9646	0.0000	12.0000	0.0000	5.0000
70.1676	95.9646	-2.1146	98.0792	0.0000	95.9646	0.0000	12.0000	0.0000	5.0000
70.1676	95.9645	-2.1146	98.0792	-0.0001	95.9645	0.0000	12.0000	0.0000	5.0000
70.1676	95.9645	-2.1146	98.0792	-0.0001	95.9645	0.0000	12.0000	0.0000	5.0000
70.1676	95.9643	-2.1146	98.0792	-0.0003	95.9643	0.0000	12.0000	0.0000	5.0000
70.1676	95.9640	-2.1146	98.0792	-0.0005	95.9640	0.0000	12.0000	0.0000	5.0000
70.1676	95.9635	-2.1146	98.0792	-0.0011	95.9635	0.0000	12.0000	-0.0001	5.0000
70.1676	95.9624	-2.1146	98.0792	-0.0022	95.9624	0.0000	12.0000	-0.0002	5.0000
70.1677	95.9602	-2.1146	98.0792	-0.0044	95.9602	0.0000	12.0000	-0.0004	5.0000
70.1678	95.9559	-2.1146	98.0792	-0.0087	95.9559	0.0000	12.0000	-0.0007	5.0000
70.1680	95.9472	-2.1146	98.0792	-0.0174	95.9472	0.0000	12.0000	-0.0015	5.0000
70.1685	95.9298	-2.1146	98.0792	-0.0349	95.9298	0.0000	12.0000	-0.0029	5.0000
70.1694	95.8949	-2.1146	98.0792	-0.0697	95.8949	0.0000	12.0000	-0.0058	5.0001
70.1712	95.8254	-2.1146	98.0793	-0.1393	95.8254	0.0000	12.0000	-0.0116	5.0003
70.1749	95.6866	-2.1146	98.0793	-0.2781	95.6866	0.0000	12.0000	-0.0232	5.0010
70.1821	95.4102	-2.1146	98.0795	-0.5547	95.4102	0.0000	12.0001	-0.0462	5.0040
70.1967	94.8621	-2.1146	98.0797	-1.1029	94.8621	0.0000	12.0001	-0.0919	5.0161
70.2257	93.7847	-2.1146	98.0800	-2.1807	93.7847	0.0000	12.0003	-0.1817	5.0639
70.2838	91.7017	-2.1146	98.0805	-4.2642	91.7017	0.0000	12.0005	-0.3553	5.2517
70.4001	87.8015	-2.1146	98.0809	-8.1649	87.8015	0.0000	12.0011	-0.6803	5.9775
70.5144	84.2784	-2.1146	98.0811	-11.6880	84.2784	0.0000	12.0020	-0.9738	7.1146
70.5144	84.2784	-2.1146	98.0811	-11.6880	84.2784	0.0000	12.0029	-0.9738	7.1146
70.7469	77.9165	-2.1146	98.0812	-18.0500	77.9165	0.0000	12.0029	-1.5038	10.5915

70.9794	72.4476	-2.1146	98.0812	-23.5189	72.4476	0.0000	12.0045	-1.9592	15.4406
71.4444	72.0000	-2.1146	98.0812	-23.9665	72.0000	0.0000	12.0059	-1.9962	26.5683
72.0000	72.0000	-2.1146	98.0810	-23.9664	72.0000	0.0000	12.0060	-1.9962	39.8833

LAMPIRAN 2.1

DATA HASIL SIMULASI DENGAN KAPASITAS BATERAI 80 Ah

Time [Jam]	P_Beban [Watt]	P-pv [Watt]	P_genset [Watt]	P_Baterai [Watt]	P_Sumber (PV, DG, Bat) [Watt]	P_Loss [Watt]	V_Baterai [Volt]	I_Baterai [Ampere]	Energi_Baterai [Ah]
0.0000	72.0000	-2.1146	-8.8096	82.9242	72.0000	0.0000	12.0000	6.9104	39.0000
0.0002	72.0000	-2.1146	-8.6558	82.7704	72.0000	0.0000	11.9793	6.9095	38.9852
0.0011	72.0000	-2.1146	-7.8887	82.0033	72.0000	0.0000	11.9793	6.8454	38.9113
0.0056	72.0000	-2.1146	-4.1106	78.2252	72.0000	0.0000	11.9795	6.5299	38.5523
0.0280	72.0000	-2.1146	13.4239	60.6907	72.0000	0.0000	11.9804	5.0658	36.9994
0.0501	72.0000	-2.1146	28.7288	45.3858	72.0000	0.0000	11.9848	3.7869	35.8269
0.0501	72.0000	-2.1146	28.7288	45.3858	72.0000	0.0000	11.9886	3.7857	35.8269
0.0501	72.0000	-2.1146	28.7288	45.3858	72.0000	0.0000	11.9886	3.7857	35.8269
0.1456	72.0000	-2.1146	69.6844	4.4302	72.0000	0.0000	11.9886	0.3695	33.7377
0.1637	72.0000	-2.1146	74.1146	0.0000	72.0000	0.0000	11.9989	0.0000	33.6983
0.1637	72.0000	-2.1146	74.1146	0.0000	72.0000	0.0000	12.0000	0.0000	33.6983
0.2443	72.0000	-2.1146	86.8070	-12.6924	72.0000	0.0000	12.0000	-1.0577	34.2740
0.3249	72.0000	-2.1146	92.7776	-18.6630	72.0000	0.0000	12.0032	-1.5548	35.5683
0.4422	72.0000	-2.1146	96.3064	-22.1917	72.0000	0.0000	12.0047	-1.8486	38.0015
0.5753	72.0000	-2.1146	97.5671	-23.4525	72.0000	0.0000	12.0055	-1.9535	41.0569
0.7393	72.0000	-2.1146	97.9668	-23.8522	72.0000	0.0000	12.0059	-1.9867	44.9451
0.9455	72.0000	-2.1146	98.0611	-23.9465	72.0000	0.0000	12.0060	-1.9946	49.8765
1.2427	72.0000	-2.1146	98.0736	-23.9590	72.0000	0.0000	12.0060	-1.9956	56.9985
1.6559	72.0000	-2.1146	98.0610	-23.9464	72.0000	0.0000	12.0060	-1.9945	66.9031

2.1305	72.0000	-2.1146	97.9516	-23.8370	72.0000	0.0000	12.0060	-1.9854	78.2903
2.2023	72.0000	-2.1146	98.0378	-23.9231	72.0000	0.0000	12.0060	-1.9926	80.0000
2.2023	72.0000	-2.1146	98.0378	0.0000	95.9231	23.9231	12.0060	0.0000	80.0000
2.4755	72.0000	-2.1146	98.0698	0.0000	95.9552	23.9552	12.0000	0.0000	80.0000
2.7488	72.0000	-2.1146	98.0782	0.0000	95.9636	23.9636	12.0000	0.0000	80.0000
3.2175	72.0000	-2.1146	98.0635	0.0000	95.9489	23.9489	12.0000	0.0000	80.0000
3.5947	72.0000	-2.1146	98.0548	0.0000	95.9401	23.9401	12.0000	0.0000	80.0000
3.9720	72.0000	-2.1146	98.0416	0.0000	95.9270	23.9270	12.0000	0.0000	80.0000
4.3480	73.2752	-2.1146	98.0232	0.0000	95.9086	22.6334	12.0000	0.0000	80.0000
4.6952	74.5928	-2.1146	98.0291	0.0000	95.9145	21.3216	12.0000	0.0000	80.0000
5.0212	75.8740	-2.1146	98.0488	0.0000	95.9342	20.0603	12.0000	0.0000	80.0000
5.3577	77.2435	-2.1146	98.0570	0.0000	95.9424	18.6989	12.0000	0.0000	80.0000
5.7259	78.8002	-2.1146	98.0501	0.0000	95.9355	17.1353	12.0000	0.0000	80.0000
6.1105	80.0000	-2.1146	98.0287	0.0000	95.9141	15.9141	12.0000	0.0000	80.0000
6.4732	80.0000	-2.1146	98.0196	0.0000	95.9050	15.9050	12.0000	0.0000	80.0000
6.8033	80.0000	-2.1146	98.0401	0.0000	95.9255	15.9255	12.0000	0.0000	80.0000
7.0243	79.7849	0.0000	98.0833	0.0000	98.0833	18.2984	12.0000	0.0000	80.0000
7.0243	79.7849	0.0000	0.0000	79.7849	79.7849	0.0000	12.0000	6.6487	80.0000
7.0243	79.7849	0.0000	0.0000	79.7849	79.7849	0.0000	11.9801	6.6598	80.0000
7.3490	77.0132	28.3081	0.0000	48.7051	77.0132	0.0000	11.9800	4.0655	59.1332
7.6738	74.4276	56.6161	0.0000	17.8114	74.4276	0.0000	11.9878	1.4858	48.3261
7.8619	73.0082	73.0082	0.0000	0.0000	73.0082	0.0000	11.9955	0.0000	46.7823
7.8619	73.0082	73.0082	0.0000	0.0000	73.0082	0.0000	12.0000	0.0000	46.7823
8.1800	72.0000	85.4923	0.0000	-13.4923	72.0000	0.0000	12.0000	-1.1244	50.0202
8.4981	72.0000	86.2844	0.0000	-14.2844	72.0000	0.0000	12.0034	-1.1900	54.4391
8.9119	72.0000	87.3149	0.0000	-15.3149	72.0000	0.0000	12.0036	-1.2759	60.5639

9.3591	72.0000	89.3228	0.0000	-17.3228	72.0000	0.0000	12.0038	-1.4431	67.8219
9.6389	72.0000	90.7162	0.0000	-18.7162	72.0000	0.0000	12.0043	-1.5591	72.8636
9.9187	72.0000	92.1096	0.0000	-20.1096	72.0000	0.0000	12.0047	-1.6752	78.2951
10.0026	72.0000	92.5244	0.0000	-20.5244	72.0000	0.0000	12.0050	-1.7096	80.0000
10.0026	72.0000	92.5244	0.0000	0.0000	92.5244	20.5244	12.0051	0.0000	80.0000
10.3766	72.0000	93.9214	0.0000	0.0000	93.9214	21.9214	12.0000	0.0000	80.0000
10.7505	72.0000	95.3183	0.0000	0.0000	95.3183	23.3183	12.0000	0.0000	80.0000
11.2332	73.7194	97.7022	0.0000	0.0000	97.7022	23.9828	12.0000	0.0000	80.0000
11.5295	76.0259	99.5469	0.0000	0.0000	99.5469	23.5210	12.0000	0.0000	80.0000
11.8258	78.4814	101.3915	0.0000	0.0000	101.3915	22.9102	12.0000	0.0000	80.0000
12.2102	78.1741	103.5227	0.0000	0.0000	103.5227	25.3486	12.0000	0.0000	80.0000
12.6587	74.5439	105.7565	0.0000	0.0000	105.7565	31.2126	12.0000	0.0000	80.0000
12.9572	72.3097	107.2429	0.0000	0.0000	107.2429	34.9332	12.0000	0.0000	80.0000
13.2556	72.0000	106.1832	0.0000	0.0000	106.1832	34.1832	12.0000	0.0000	80.0000
13.6334	72.0000	104.3014	0.0000	0.0000	104.3014	32.3014	12.0000	0.0000	80.0000
14.0730	72.0000	101.3847	0.0000	0.0000	101.3847	29.3847	12.0000	0.0000	80.0000
14.3786	72.0000	96.8195	0.0000	0.0000	96.8195	24.8195	12.0000	0.0000	80.0000
14.6841	72.0000	92.2543	0.0000	0.0000	92.2543	20.2543	12.0000	0.0000	80.0000
15.0606	72.0000	87.4589	0.0000	0.0000	87.4589	15.4589	12.0000	0.0000	80.0000
15.4900	72.0000	86.9242	0.0000	0.0000	86.9242	14.9242	12.0000	0.0000	80.0000
15.7995	72.0000	86.5388	0.0000	0.0000	86.5388	14.5388	12.0000	0.0000	80.0000
16.1091	72.0000	76.6480	0.0000	0.0000	76.6480	4.6480	12.0000	0.0000	80.0000
16.1616	72.0000	72.0000	0.0000	0.0000	72.0000	0.0000	12.0000	0.0000	80.0000
16.1616	72.0000	72.0000	0.0000	0.0000	72.0000	0.0000	12.0000	0.0000	80.0000
16.1616	72.0000	72.0000	0.0000	0.0000	72.0000	0.0000	12.0000	0.0000	80.0000
16.1616	72.0000	72.0000	0.0000	0.0000	72.0000	0.0000	12.0000	0.0000	80.0000

16.1616	72.0000	72.0000	0.0000	0.0000	72.0000	0.0000	12.0000	0.0000	80.0000
16.1616	72.0000	72.0000	0.0000	0.0000	72.0000	0.0000	12.0000	0.0000	80.0000
16.1616	72.0000	72.0000	0.0000	0.0000	72.0000	0.0000	12.0000	0.0000	80.0000
16.1616	72.0000	72.0000	0.0000	0.0000	72.0000	0.0000	12.0000	0.0000	80.0000
16.1616	72.0000	72.0000	0.0000	0.0000	72.0000	0.0000	12.0000	0.0000	80.0000
16.1616	72.0000	72.0000	0.0000	0.0000	72.0000	0.0000	12.0000	0.0000	80.0000
16.1616	72.0000	72.0000	0.0000	0.0000	72.0000	0.0000	12.0000	0.0000	80.0000
16.1616	72.0000	72.0000	0.0000	0.0000	72.0000	0.0000	12.0000	0.0000	80.0000
16.1616	72.0000	72.0000	0.0000	0.0000	72.0000	0.0000	12.0000	0.0000	80.0000
16.1616	72.0000	72.0000	0.0000	0.0000	72.0000	0.0000	12.0000	0.0000	80.0000
16.1616	72.0000	72.0000	0.0000	0.0000	72.0000	0.0000	12.0000	0.0000	80.0000
16.1616	72.0000	71.9999	0.0000	0.0001	72.0000	0.0000	12.0000	0.0000	80.0000
16.1616	72.0000	71.9999	0.0000	0.0001	72.0000	0.0000	12.0000	0.0000	80.0000
16.1616	72.0000	71.9998	0.0000	0.0002	72.0000	0.0000	12.0000	0.0000	80.0000
16.1616	72.0000	71.9997	0.0000	0.0003	72.0000	0.0000	12.0000	0.0000	80.0000
16.1616	72.0000	71.9993	0.0000	0.0007	72.0000	0.0000	12.0000	0.0001	80.0000
16.1617	72.0000	71.9987	0.0000	0.0013	72.0000	0.0000	12.0000	0.0001	80.0000
16.1617	72.0000	71.9974	0.0000	0.0026	72.0000	0.0000	12.0000	0.0002	80.0000
16.1617	72.0000	71.9949	0.0000	0.0051	72.0000	0.0000	12.0000	0.0004	80.0000
16.1618	72.0000	71.9898	0.0000	0.0102	72.0000	0.0000	12.0000	0.0009	80.0000
16.1619	72.0000	71.9796	0.0000	0.0204	72.0000	0.0000	12.0000	0.0017	80.0000
16.1621	72.0000	71.9592	0.0000	0.0408	72.0000	0.0000	12.0000	0.0034	80.0000
16.1626	72.0000	71.9183	0.0000	0.0817	72.0000	0.0000	12.0000	0.0068	80.0000
16.1635	72.0000	71.8367	0.0000	0.1633	72.0000	0.0000	12.0000	0.0136	79.9998
16.1653	72.0000	71.6734	0.0000	0.3266	72.0000	0.0000	12.0000	0.0272	79.9994
16.1690	72.0000	71.3469	0.0000	0.6531	72.0000	0.0000	11.9999	0.0544	79.9976

16.1764	72.0000	70.6938	0.0000	1.3062	72.0000	0.0000	11.9998	0.1089	79.9904
16.1912	72.0000	69.3876	0.0000	2.6124	72.0000	0.0000	11.9997	0.2177	79.9614
16.2207	72.0000	66.7752	0.0000	5.2248	72.0000	0.0000	11.9993	0.4354	79.8456
16.2798	72.0000	61.5504	0.0000	10.4496	72.0000	0.0000	11.9987	0.8709	79.3825
16.3980	72.0000	51.1009	0.0000	20.8991	72.0000	0.0000	11.9974	1.7420	77.5302
16.6344	72.0000	30.2017	0.0000	41.7983	72.0000	0.0000	11.9948	3.4847	70.1226
16.7836	72.0000	17.0119	0.0000	54.9881	72.0000	0.0000	11.9895	4.5863	62.9881
16.7836	72.0000	17.0119	98.0810	-43.0929	72.0000	0.0000	11.9862	-3.5952	62.9881
17.2565	78.0012	-2.1146	98.0800	-17.9642	78.0012	0.0000	12.0108	-1.4957	75.7777
17.5624	86.6142	-2.1146	98.0836	-9.3548	86.6142	0.0000	12.0045	-0.7793	80.0000
17.5624	86.6142	-2.1146	98.0836	0.0000	95.9690	9.3548	12.0023	0.0000	80.0000
17.8322	95.9553	-2.1146	98.0699	0.0000	95.9553	0.0000	12.0000	0.0000	80.0000
17.8322	95.9553	-2.1146	98.0699	0.0000	95.9553	0.0000	12.0000	0.0000	80.0000
17.8322	95.9553	-2.1146	98.0699	0.0000	95.9553	0.0000	12.0000	0.0000	80.0000
17.8322	95.9553	-2.1146	98.0699	0.0000	95.9553	0.0000	12.0000	0.0000	80.0000
17.8322	95.9553	-2.1146	98.0699	0.0000	95.9553	0.0000	12.0000	0.0000	80.0000
17.8322	95.9553	-2.1146	98.0699	0.0000	95.9553	0.0000	12.0000	0.0000	80.0000
17.8322	95.9553	-2.1146	98.0699	0.0000	95.9553	0.0000	12.0000	0.0000	80.0000
17.8322	95.9553	-2.1146	98.0699	0.0000	95.9553	0.0000	12.0000	0.0000	80.0000
17.8322	95.9553	-2.1146	98.0699	0.0000	95.9553	0.0000	12.0000	0.0000	80.0000
17.8322	95.9553	-2.1146	98.0699	0.0000	95.9553	0.0000	12.0000	0.0000	80.0000
17.8322	95.9554	-2.1146	98.0699	0.0000	95.9554	0.0000	12.0000	0.0000	80.0000
17.8322	95.9554	-2.1146	98.0699	0.0001	95.9554	0.0000	12.0000	0.0000	80.0000
17.8322	95.9555	-2.1146	98.0699	0.0001	95.9555	0.0000	12.0000	0.0000	80.0000
17.8322	95.9556	-2.1146	98.0699	0.0003	95.9556	0.0000	12.0000	0.0000	80.0000
17.8322	95.9559	-2.1146	98.0699	0.0006	95.9559	0.0000	12.0000	0.0000	80.0000

17.8322	95.9564	-2.1146	98.0699	0.0011	95.9564	0.0000	12.0000	0.0001	80.0000
17.8322	95.9575	-2.1146	98.0699	0.0022	95.9575	0.0000	12.0000	0.0002	80.0000
17.8323	95.9598	-2.1146	98.0699	0.0044	95.9598	0.0000	12.0000	0.0004	80.0000
17.8324	95.9642	-2.1146	98.0700	0.0088	95.9642	0.0000	12.0000	0.0007	80.0000
17.8326	95.9731	-2.1146	98.0700	0.0177	95.9731	0.0000	12.0000	0.0015	80.0000
17.8331	95.9908	-2.1146	98.0700	0.0354	95.9908	0.0000	12.0000	0.0030	80.0000
17.8340	96.0264	-2.1146	98.0701	0.0708	96.0264	0.0000	12.0000	0.0059	79.9999
17.8359	96.0975	-2.1146	98.0703	0.1418	96.0975	0.0000	12.0000	0.0118	79.9997
17.8396	96.2401	-2.1146	98.0707	0.2840	96.2401	0.0000	12.0000	0.0237	79.9990
17.8470	96.5265	-2.1146	98.0714	0.5698	96.5265	0.0000	11.9999	0.0475	79.9958
17.8618	97.1046	-2.1146	98.0726	1.1466	97.1046	0.0000	11.9999	0.0955	79.9831
17.8914	98.2817	-2.1146	98.0747	2.3216	98.2817	0.0000	11.9997	0.1935	79.9318
17.9506	100.7237	-2.1146	98.0775	4.7609	100.7237	0.0000	11.9994	0.3968	79.7228
18.0690	102.8571	-2.1146	98.0799	6.8918	102.8571	0.0000	11.9988	0.5744	78.9621
18.3058	102.8571	-2.1146	98.0809	6.8908	102.8571	0.0000	11.9983	0.5743	77.3303
18.7794	102.8571	-2.1146	98.0797	6.8920	102.8571	0.0000	11.9983	0.5744	74.0667
19.3301	102.8571	-2.1146	98.0576	6.9142	102.8571	0.0000	11.9983	0.5763	70.2749
19.6872	102.8571	-2.1146	98.0560	6.9158	102.8571	0.0000	11.9983	0.5764	67.8141
20.0444	102.8571	-2.1146	98.0543	6.9175	102.8571	0.0000	11.9983	0.5765	65.3534
20.4277	102.8571	-2.1146	98.0367	6.9350	102.8571	0.0000	11.9983	0.5780	62.7136
20.8015	102.8571	-2.1146	98.0183	6.9534	102.8571	0.0000	11.9983	0.5795	60.1399
21.1410	102.8571	-2.1146	98.0318	6.9400	102.8571	0.0000	11.9983	0.5784	57.7993
21.4631	102.8571	-2.1146	98.0525	6.9192	102.8571	0.0000	11.9983	0.5767	55.5780
21.8039	102.8571	-2.1146	98.0581	6.9136	102.8571	0.0000	11.9983	0.5762	53.2288
22.1685	95.9299	-2.1146	98.0445	0.0000	95.9299	0.0000	11.9983	0.0000	51.3840
22.1685	95.9299	-2.1146	98.0445	0.0000	95.9299	0.0000	12.0000	0.0000	51.3840

22.5451	83.3779	-2.1146	98.0269	-12.5344	83.3779	0.0000	12.0000	-1.0445	53.8743
22.8976	74.2826	-2.1146	98.0278	-21.6306	74.2826	0.0000	12.0031	-1.8021	59.9777
23.2271	72.0000	-2.1146	98.0459	-23.9313	72.0000	0.0000	12.0054	-1.9934	67.7964
23.5615	72.0000	-2.1146	98.0558	-23.9412	72.0000	0.0000	12.0060	-1.9941	75.8080
23.7366	72.0000	-2.1146	98.1087	-23.9941	72.0000	0.0000	12.0060	-1.9985	80.0000
23.7366	72.0000	-2.1146	98.1087	0.0000	95.9941	23.9941	12.0060	0.0000	80.0000
24.0989	72.0000	-2.1146	98.1132	0.0000	95.9986	23.9986	12.0000	0.0000	80.0000
24.4612	72.0000	-2.1146	98.1185	0.0000	96.0039	24.0039	12.0000	0.0000	80.0000
24.8256	72.0000	-2.1146	98.1262	0.0000	96.0116	24.0116	12.0000	0.0000	80.0000
25.1786	72.0000	-2.1146	98.1260	0.0000	96.0114	24.0114	12.0000	0.0000	80.0000
25.5205	72.0000	-2.1146	98.1179	0.0000	96.0033	24.0033	12.0000	0.0000	80.0000
25.8646	72.0000	-2.1146	98.1125	0.0000	95.9979	23.9979	12.0000	0.0000	80.0000
26.2223	72.0000	-2.1146	98.1149	0.0000	96.0003	24.0003	12.0000	0.0000	80.0000
26.5892	72.0000	-2.1146	98.1236	0.0000	96.0090	24.0090	12.0000	0.0000	80.0000
26.9490	72.0000	-2.1146	98.1286	0.0000	96.0140	24.0140	12.0000	0.0000	80.0000
27.2939	72.0000	-2.1146	98.1222	0.0000	96.0076	24.0076	12.0000	0.0000	80.0000
27.6336	72.0000	-2.1146	98.1135	0.0000	95.9989	23.9989	12.0000	0.0000	80.0000
27.9843	72.0000	-2.1146	98.1121	0.0000	95.9975	23.9975	12.0000	0.0000	80.0000
28.3500	74.6117	-2.1146	98.1193	0.0000	96.0047	21.3930	12.0000	0.0000	80.0000
28.7165	77.5571	-2.1146	98.1289	0.0000	96.0143	18.4572	12.0000	0.0000	80.0000
29.0677	80.3021	-2.1146	98.1271	0.0000	96.0125	15.7105	12.0000	0.0000	80.0000
29.4060	81.8462	-2.1146	98.1166	0.0000	96.0020	14.1557	12.0000	0.0000	80.0000
29.7490	83.4735	-2.1146	98.1108	0.0000	95.9962	12.5227	12.0000	0.0000	80.0000
30.1095	84.7059	-2.1146	98.1146	0.0000	96.0000	11.2941	12.0000	0.0000	80.0000
30.4801	84.7059	-2.1146	98.1260	0.0000	96.0114	11.3055	12.0000	0.0000	80.0000
30.8400	84.7059	-2.1146	98.1312	0.0000	96.0166	11.3108	12.0000	0.0000	80.0000

31.0243	84.3448	0.0000	98.0513	0.0000	98.0513	13.7066	12.0000	0.0000	80.0000
31.0243	84.3448	0.0000	0.0000	84.3448	84.3448	0.0000	12.0000	7.0287	80.0000
31.0243	84.3448	0.0000	0.0000	84.3448	84.3448	0.0000	11.9789	7.0411	80.0000
31.3655	79.5740	29.7379	0.0000	49.8361	79.5740	0.0000	11.9789	4.1603	57.1176
31.7066	75.3140	59.4758	0.0000	15.8382	75.3140	0.0000	11.9875	1.3212	45.9157
31.8671	73.4641	73.4641	0.0000	0.0000	73.4641	0.0000	11.9960	0.0000	44.5860
31.8671	73.4641	73.4641	0.0000	0.0000	73.4641	0.0000	12.0000	0.0000	44.5860
32.2567	72.0000	85.3637	0.0000	-13.3637	72.0000	0.0000	12.0000	-1.1136	48.9702
32.6066	72.0000	85.7994	0.0000	-13.7994	72.0000	0.0000	12.0033	-1.1496	53.7240
32.9226	72.0000	86.1928	0.0000	-14.1928	72.0000	0.0000	12.0034	-1.1824	58.1464
33.2477	72.0000	87.5228	0.0000	-15.5228	72.0000	0.0000	12.0035	-1.2932	62.9386
33.6164	72.0000	89.3590	0.0000	-17.3590	72.0000	0.0000	12.0039	-1.4461	69.0004
34.0147	72.0000	91.3062	0.0000	-19.3062	72.0000	0.0000	12.0043	-1.6083	76.3082
34.2036	72.0000	91.7767	0.0000	-19.7767	72.0000	0.0000	12.0048	-1.6474	80.0000
34.2036	72.0000	91.7767	0.0000	0.0000	91.7767	19.7767	12.0049	0.0000	80.0000
34.5765	72.0000	92.7053	0.0000	0.0000	92.7053	20.7053	12.0000	0.0000	80.0000
34.8859	72.0000	93.4758	0.0000	0.0000	93.4758	21.4758	12.0000	0.0000	80.0000
35.1846	72.6707	95.1390	0.0000	0.0000	95.1390	22.4682	12.0000	0.0000	80.0000
35.5346	73.9773	97.7535	0.0000	0.0000	97.7535	23.7762	12.0000	0.0000	80.0000
35.9469	75.5783	100.8340	0.0000	0.0000	100.8340	25.2557	12.0000	0.0000	80.0000
36.3521	74.4105	102.5459	0.0000	0.0000	102.5459	28.1354	12.0000	0.0000	80.0000
36.6874	73.1432	103.7984	0.0000	0.0000	103.7984	30.6552	12.0000	0.0000	80.0000
36.9796	72.0734	104.8899	0.0000	0.0000	104.8899	32.8166	12.0000	0.0000	80.0000
37.2976	72.0000	104.2249	0.0000	0.0000	104.2249	32.2249	12.0000	0.0000	80.0000
37.6850	72.0000	103.2602	0.0000	0.0000	103.2602	31.2602	12.0000	0.0000	80.0000
38.1089	72.0000	100.7131	0.0000	0.0000	100.7131	28.7131	12.0000	0.0000	80.0000

40.1497	72.0000	71.9987	0.0000	0.0013	72.0000	0.0000	12.0000	0.0001	80.0000
40.1497	72.0000	71.9974	0.0000	0.0026	72.0000	0.0000	12.0000	0.0002	80.0000
40.1497	72.0000	71.9948	0.0000	0.0052	72.0000	0.0000	12.0000	0.0004	80.0000
40.1498	72.0000	71.9896	0.0000	0.0104	72.0000	0.0000	12.0000	0.0009	80.0000
40.1499	72.0000	71.9793	0.0000	0.0207	72.0000	0.0000	12.0000	0.0017	80.0000
40.1501	72.0000	71.9586	0.0000	0.0414	72.0000	0.0000	12.0000	0.0034	80.0000
40.1506	72.0000	71.9173	0.0000	0.0827	72.0000	0.0000	12.0000	0.0069	80.0000
40.1516	72.0000	71.8347	0.0000	0.1653	72.0000	0.0000	12.0000	0.0138	79.9998
40.1535	72.0000	71.6694	0.0000	0.3306	72.0000	0.0000	12.0000	0.0276	79.9994
40.1572	72.0000	71.3388	0.0000	0.6612	72.0000	0.0000	11.9999	0.0551	79.9975
40.1648	72.0000	70.6777	0.0000	1.3223	72.0000	0.0000	11.9998	0.1102	79.9900
40.1800	72.0000	69.3554	0.0000	2.6446	72.0000	0.0000	11.9997	0.2204	79.9599
40.2103	72.0000	66.7108	0.0000	5.2892	72.0000	0.0000	11.9993	0.4408	79.8395
40.2710	72.0000	61.4217	0.0000	10.5783	72.0000	0.0000	11.9987	0.8816	79.3581
40.3924	72.0000	50.8434	0.0000	21.1566	72.0000	0.0000	11.9974	1.7634	77.4328
40.6351	72.0000	29.6867	0.0000	42.3133	72.0000	0.0000	11.9947	3.5277	69.7331
40.7788	72.0000	17.1674	0.0000	54.8326	72.0000	0.0000	11.9894	4.5734	62.8326
40.7788	72.0000	17.1674	98.0837	-43.2511	72.0000	0.0000	11.9863	-3.6084	62.8326
41.2642	78.1991	-2.1146	98.0998	-17.7861	78.1991	0.0000	12.0108	-1.4808	75.9422
41.5596	86.5261	-2.1146	98.0927	-9.4520	86.5261	0.0000	12.0044	-0.7874	80.0000
41.5596	86.5261	-2.1146	98.0927	0.0000	95.9781	9.4520	12.0024	0.0000	80.0000
41.8325	95.9666	-2.1146	98.0812	0.0000	95.9666	0.0000	12.0000	0.0000	80.0000
41.8325	95.9666	-2.1146	98.0812	0.0000	95.9666	0.0000	12.0000	0.0000	80.0000
41.8325	95.9666	-2.1146	98.0812	0.0000	95.9666	0.0000	12.0000	0.0000	80.0000
41.8325	95.9666	-2.1146	98.0812	0.0000	95.9666	0.0000	12.0000	0.0000	80.0000
41.8325	95.9666	-2.1146	98.0812	0.0000	95.9666	0.0000	12.0000	0.0000	80.0000

41.8325	95.9666	-2.1146	98.0812	0.0000	95.9666	0.0000	12.0000	0.0000	80.0000
41.8325	95.9666	-2.1146	98.0812	0.0000	95.9666	0.0000	12.0000	0.0000	80.0000
41.8325	95.9666	-2.1146	98.0812	0.0000	95.9666	0.0000	12.0000	0.0000	80.0000
41.8325	95.9666	-2.1146	98.0812	0.0000	95.9666	0.0000	12.0000	0.0000	80.0000
41.8325	95.9666	-2.1146	98.0812	0.0000	95.9666	0.0000	12.0000	0.0000	80.0000
41.8325	95.9666	-2.1146	98.0812	0.0000	95.9666	0.0000	12.0000	0.0000	80.0000
41.8325	95.9666	-2.1146	98.0812	0.0000	95.9666	0.0000	12.0000	0.0000	80.0000
41.8325	95.9666	-2.1146	98.0812	0.0000	95.9666	0.0000	12.0000	0.0000	80.0000
41.8325	95.9666	-2.1146	98.0812	0.0000	95.9666	0.0000	12.0000	0.0000	80.0000
41.8325	95.9666	-2.1146	98.0812	0.0000	95.9666	0.0000	12.0000	0.0000	80.0000
41.8325	95.9666	-2.1146	98.0812	0.0001	95.9666	0.0000	12.0000	0.0000	80.0000
41.8325	95.9667	-2.1146	98.0812	0.0001	95.9667	0.0000	12.0000	0.0000	80.0000
41.8325	95.9667	-2.1146	98.0812	0.0002	95.9667	0.0000	12.0000	0.0000	80.0000
41.8325	95.9669	-2.1146	98.0812	0.0003	95.9669	0.0000	12.0000	0.0000	80.0000
41.8325	95.9672	-2.1146	98.0812	0.0006	95.9672	0.0000	12.0000	0.0001	80.0000
41.8325	95.9678	-2.1146	98.0812	0.0012	95.9678	0.0000	12.0000	0.0001	80.0000
41.8325	95.9690	-2.1146	98.0812	0.0024	95.9690	0.0000	12.0000	0.0002	80.0000
41.8326	95.9714	-2.1146	98.0812	0.0049	95.9714	0.0000	12.0000	0.0004	80.0000
41.8327	95.9763	-2.1146	98.0812	0.0097	95.9763	0.0000	12.0000	0.0008	80.0000
41.8330	95.9859	-2.1146	98.0812	0.0194	95.9859	0.0000	12.0000	0.0016	80.0000
41.8335	96.0053	-2.1146	98.0812	0.0387	96.0053	0.0000	12.0000	0.0032	80.0000
41.8345	96.0440	-2.1146	98.0812	0.0775	96.0440	0.0000	12.0000	0.0065	79.9999
41.8365	96.1216	-2.1146	98.0812	0.1550	96.1216	0.0000	12.0000	0.0129	79.9997
41.8405	96.2771	-2.1146	98.0812	0.3106	96.2771	0.0000	12.0000	0.0259	79.9987
41.8486	96.5897	-2.1146	98.0812	0.6231	96.5897	0.0000	11.9999	0.0519	79.9950

41.8647	97.2209	-2.1146	98.0812	1.2543	97.2209	0.0000	11.9998	0.1045	79.9799
41.8970	98.5084	-2.1146	98.0812	2.5419	98.5084	0.0000	11.9997	0.2118	79.9187
41.9615	101.1886	-2.1146	98.0812	5.2220	101.1886	0.0000	11.9994	0.4352	79.6690
42.0906	102.8571	-2.1146	98.0812	6.8906	102.8571	0.0000	11.9987	0.5743	78.7994
42.3487	102.8571	-2.1146	98.0812	6.8906	102.8571	0.0000	11.9983	0.5743	77.0208
42.8650	102.8571	-2.1146	98.0812	6.8906	102.8571	0.0000	11.9983	0.5743	73.4636
43.8975	102.8571	-2.1146	98.0848	6.8870	102.8571	0.0000	11.9983	0.5740	66.3487
44.3186	102.8571	-2.1146	98.0920	6.8797	102.8571	0.0000	11.9983	0.5734	63.4459
44.7398	102.8571	-2.1146	98.1137	6.8580	102.8571	0.0000	11.9983	0.5716	60.5417
45.0903	102.8571	-2.1146	98.1122	6.8595	102.8571	0.0000	11.9983	0.5717	58.1261
45.4409	102.8571	-2.1146	98.1108	6.8610	102.8571	0.0000	11.9983	0.5718	55.7105
45.8097	102.8571	-2.1146	98.1196	6.8521	102.8571	0.0000	11.9983	0.5711	53.1682
46.1661	96.0205	-2.1146	98.1352	0.0000	96.0205	0.0000	11.9983	0.0000	51.3571
46.1661	96.0205	-2.1146	98.1352	0.0000	96.0205	0.0000	12.0000	0.0000	51.3571
46.5353	83.6647	-2.1146	98.1517	-12.3724	83.6647	0.0000	12.0000	-1.0310	53.7209
46.8625	75.0974	-2.1146	98.1260	-20.9139	75.0974	0.0000	12.0031	-1.7424	59.2037
47.1790	72.0000	-2.1146	98.1047	-23.9901	72.0000	0.0000	12.0052	-1.9983	66.5720
47.5275	72.0000	-2.1146	98.1028	-23.9882	72.0000	0.0000	12.0060	-1.9980	74.9250
47.7390	72.0000	-2.1146	98.0473	-23.9326	72.0000	0.0000	12.0060	-1.9934	80.0000
47.7390	72.0000	-2.1146	98.0473	0.0000	95.9326	23.9326	12.0060	0.0000	80.0000
48.1291	72.0000	-2.1146	98.0186	0.0000	95.9040	23.9040	12.0000	0.0000	80.0000
48.4848	72.0000	-2.1146	98.0161	0.0000	95.9015	23.9015	12.0000	0.0000	80.0000
48.8046	72.0000	-2.1146	98.0449	0.0000	95.9303	23.9303	12.0000	0.0000	80.0000
49.1275	72.0000	-2.1146	98.0598	0.0000	95.9452	23.9452	12.0000	0.0000	80.0000
49.4899	72.0000	-2.1146	98.0563	0.0000	95.9417	23.9417	12.0000	0.0000	80.0000
49.8852	72.0000	-2.1146	98.0312	0.0000	95.9166	23.9166	12.0000	0.0000	80.0000

50.2626	72.0000	-2.1146	98.0062	0.0000	95.8916	23.8916	12.0000	0.0000	80.0000
50.5937	72.0000	-2.1146	98.0303	0.0000	95.9156	23.9156	12.0000	0.0000	80.0000
50.9059	72.0000	-2.1146	98.0563	0.0000	95.9417	23.9417	12.0000	0.0000	80.0000
51.2463	72.0000	-2.1146	98.0613	0.0000	95.9467	23.9467	12.0000	0.0000	80.0000
51.6339	72.0000	-2.1146	98.0460	0.0000	95.9314	23.9314	12.0000	0.0000	80.0000
52.0302	72.1088	-2.1146	98.0095	0.0000	95.8949	23.7861	12.0000	0.0000	80.0000
52.3822	73.4028	-2.1146	98.0111	0.0000	95.8964	22.4936	12.0000	0.0000	80.0000
52.6940	74.5881	-2.1146	98.0472	0.0000	95.9326	21.3445	12.0000	0.0000	80.0000
53.0134	80.0297	-2.1146	98.0624	0.0000	95.9478	15.9180	12.0000	0.0000	80.0000
53.3812	80.8562	-2.1146	98.0571	0.0000	95.9425	15.0863	12.0000	0.0000	80.0000
53.7856	81.7848	-2.1146	98.0255	0.0000	95.9109	14.1261	12.0000	0.0000	80.0000
54.1641	82.6734	-2.1146	97.9961	0.0000	95.8815	13.2081	12.0000	0.0000	80.0000
54.4879	83.4491	-2.1146	98.0303	0.0000	95.9157	12.4666	12.0000	0.0000	80.0000
54.7934	84.1942	-2.1146	98.0591	0.0000	95.9445	11.7502	12.0000	0.0000	80.0000
55.0243	84.3448	0.0000	98.0841	0.0000	98.0841	13.7394	12.0000	0.0000	80.0000
55.0243	84.3448	0.0000	0.0000	84.3448	84.3448	0.0000	12.0000	7.0287	80.0000
55.0243	84.3448	0.0000	0.0000	84.3448	84.3448	0.0000	11.9789	7.0411	80.0000
55.3660	79.5673	29.7823	0.0000	49.7850	79.5673	0.0000	11.9789	4.1561	57.0922
55.7077	75.3020	59.5646	0.0000	15.7374	75.3020	0.0000	11.9875	1.3128	45.8996
55.8671	73.4641	73.4641	0.0000	0.0000	73.4641	0.0000	11.9961	0.0000	44.7946
55.8671	73.4641	73.4641	0.0000	0.0000	73.4641	0.0000	12.0000	0.0000	44.7946
56.1607	72.0000	85.4443	0.0000	-13.4443	72.0000	0.0000	12.0000	-1.1204	47.7303
56.4543	72.0000	86.1754	0.0000	-14.1754	72.0000	0.0000	12.0034	-1.1809	51.7857
56.8696	72.0000	87.2096	0.0000	-15.2096	72.0000	0.0000	12.0035	-1.2671	57.8878
57.2519	72.0000	88.7891	0.0000	-16.7891	72.0000	0.0000	12.0038	-1.3986	63.9612
57.6343	72.0000	90.6934	0.0000	-18.6934	72.0000	0.0000	12.0042	-1.5572	70.7449

57.9967	72.0000	92.4983	0.0000	-20.4983	72.0000	0.0000	12.0047	-1.7075	77.8470
58.1004	72.0000	93.0149	0.0000	-21.0149	72.0000	0.0000	12.0051	-1.7505	80.0000
58.1004	72.0000	93.0149	0.0000	0.0000	93.0149	21.0149	12.0053	0.0000	80.0000
58.4323	72.0000	94.6678	0.0000	0.0000	94.6678	22.6678	12.0000	0.0000	80.0000
58.7642	72.0000	96.3208	0.0000	0.0000	96.3208	24.3208	12.0000	0.0000	80.0000
59.2101	73.5453	98.8034	0.0000	0.0000	98.8034	25.2580	12.0000	0.0000	80.0000
59.5490	76.1824	100.9131	0.0000	0.0000	100.9131	24.7307	12.0000	0.0000	80.0000
59.8879	79.0157	103.0229	0.0000	0.0000	103.0229	24.0072	12.0000	0.0000	80.0000
60.2638	77.7221	105.0346	0.0000	0.0000	105.0346	27.3124	12.0000	0.0000	80.0000
60.6521	74.5954	106.9685	0.0000	0.0000	106.9685	32.3730	12.0000	0.0000	80.0000
61.0098	72.0000	108.6401	0.0000	0.0000	108.6401	36.6401	12.0000	0.0000	80.0000
61.3328	72.0000	106.6296	0.0000	0.0000	106.6296	34.6296	12.0000	0.0000	80.0000
61.6563	72.0000	104.6153	0.0000	0.0000	104.6153	32.6153	12.0000	0.0000	80.0000
62.0159	72.0000	102.2374	0.0000	0.0000	102.2374	30.2374	12.0000	0.0000	80.0000
62.4080	72.0000	96.3801	0.0000	0.0000	96.3801	24.3801	12.0000	0.0000	80.0000
62.7859	72.0000	90.7334	0.0000	0.0000	90.7334	18.7334	12.0000	0.0000	80.0000
63.1203	72.0000	87.3845	0.0000	0.0000	87.3845	15.3845	12.0000	0.0000	80.0000
63.4347	72.0000	86.9931	0.0000	0.0000	86.9931	14.9931	12.0000	0.0000	80.0000
63.7737	72.0000	86.5709	0.0000	0.0000	86.5709	14.5709	12.0000	0.0000	80.0000
64.1574	72.0000	72.3711	0.0000	0.0000	72.3711	0.3711	12.0000	0.0000	80.0000
64.1616	72.0000	72.0000	0.0000	0.0000	72.0000	0.0000	12.0000	0.0000	80.0000
64.1616	72.0000	72.0000	0.0000	0.0000	72.0000	0.0000	12.0000	0.0000	80.0000
64.1616	72.0000	72.0000	0.0000	0.0000	72.0000	0.0000	12.0000	0.0000	80.0000
64.1616	72.0000	72.0000	0.0000	0.0000	72.0000	0.0000	12.0000	0.0000	80.0000
64.1616	72.0000	72.0000	0.0000	0.0000	72.0000	0.0000	12.0000	0.0000	80.0000
64.1616	72.0000	72.0000	0.0000	0.0000	72.0000	0.0000	12.0000	0.0000	80.0000

64.1616	72.0000	72.0000	0.0000	0.0000	72.0000	0.0000	12.0000	0.0000	80.0000
64.1616	72.0000	72.0000	0.0000	0.0000	72.0000	0.0000	12.0000	0.0000	80.0000
64.1616	72.0000	72.0000	0.0000	0.0000	72.0000	0.0000	12.0000	0.0000	80.0000
64.1616	72.0000	72.0000	0.0000	0.0000	72.0000	0.0000	12.0000	0.0000	80.0000
64.1616	72.0000	72.0000	0.0000	0.0000	72.0000	0.0000	12.0000	0.0000	80.0000
64.1616	72.0000	72.0000	0.0000	0.0000	72.0000	0.0000	12.0000	0.0000	80.0000
64.1616	72.0000	72.0000	0.0000	0.0000	72.0000	0.0000	12.0000	0.0000	80.0000
64.1616	72.0000	72.0000	0.0000	0.0000	72.0000	0.0000	12.0000	0.0000	80.0000
64.1616	72.0000	72.0000	0.0000	0.0000	72.0000	0.0000	12.0000	0.0000	80.0000
64.1616	72.0000	71.9999	0.0000	0.0001	72.0000	0.0000	12.0000	0.0000	80.0000
64.1616	72.0000	71.9999	0.0000	0.0001	72.0000	0.0000	12.0000	0.0000	80.0000
64.1616	72.0000	71.9997	0.0000	0.0003	72.0000	0.0000	12.0000	0.0000	80.0000
64.1616	72.0000	71.9995	0.0000	0.0005	72.0000	0.0000	12.0000	0.0000	80.0000
64.1616	72.0000	71.9990	0.0000	0.0010	72.0000	0.0000	12.0000	0.0001	80.0000
64.1617	72.0000	71.9981	0.0000	0.0019	72.0000	0.0000	12.0000	0.0002	80.0000
64.1617	72.0000	71.9961	0.0000	0.0039	72.0000	0.0000	12.0000	0.0003	80.0000
64.1617	72.0000	71.9923	0.0000	0.0077	72.0000	0.0000	12.0000	0.0006	80.0000
64.1618	72.0000	71.9846	0.0000	0.0154	72.0000	0.0000	12.0000	0.0013	80.0000
64.1620	72.0000	71.9691	0.0000	0.0309	72.0000	0.0000	12.0000	0.0026	80.0000
64.1623	72.0000	71.9383	0.0000	0.0617	72.0000	0.0000	12.0000	0.0051	80.0000
64.1630	72.0000	71.8766	0.0000	0.1234	72.0000	0.0000	12.0000	0.0103	79.9999
64.1644	72.0000	71.7533	0.0000	0.2467	72.0000	0.0000	12.0000	0.0206	79.9997
64.1672	72.0000	71.5066	0.0000	0.4934	72.0000	0.0000	11.9999	0.0411	79.9986
64.1728	72.0000	71.0132	0.0000	0.9868	72.0000	0.0000	11.9999	0.0822	79.9945
64.1840	72.0000	70.0264	0.0000	1.9736	72.0000	0.0000	11.9998	0.1645	79.9780
64.2063	72.0000	68.0528	0.0000	3.9472	72.0000	0.0000	11.9995	0.3289	79.9119

64.2509	72.0000	64.1057	0.0000	7.8943	72.0000	0.0000	11.9990	0.6579	79.6476
64.3402	72.0000	56.2114	0.0000	15.7886	72.0000	0.0000	11.9980	1.3159	78.5903
64.5188	72.0000	40.4228	0.0000	31.5772	72.0000	0.0000	11.9961	2.6323	74.3621
64.7831	72.0000	17.0620	0.0000	54.9380	72.0000	0.0000	11.9921	4.5812	62.9380
64.7831	72.0000	17.0620	98.0814	-43.1434	72.0000	0.0000	11.9863	-3.5994	62.9380
65.1403	76.2800	-2.1146	98.0814	-19.6868	76.2800	0.0000	12.0108	-1.6391	73.3720
65.4975	89.8861	-2.1146	98.0814	-6.0807	89.8861	0.0000	12.0049	-0.5065	78.1039
65.6241	95.9538	-2.1146	98.0684	0.0000	95.9538	0.0000	12.0015	0.0000	78.6056
65.6241	95.9538	-2.1146	98.0684	0.0000	95.9538	0.0000	12.0000	0.0000	78.6056
66.0045	119.9553	-2.1146	98.0611	24.0088	119.9553	0.0000	12.0000	2.0007	74.3411
66.3849	116.2710	-2.1146	98.0495	20.3362	116.2710	0.0000	11.9940	1.6955	65.9294
66.7815	112.6629	-2.1146	98.0162	16.7612	112.6629	0.0000	11.9949	1.3974	58.6016
67.1409	110.7692	-2.1146	98.0091	14.8747	110.7692	0.0000	11.9958	1.2400	53.0653
67.4578	110.7692	-2.1146	98.0430	14.8408	110.7692	0.0000	11.9963	1.2371	48.3711
67.7747	110.7692	-2.1146	98.0610	14.8229	110.7692	0.0000	11.9963	1.2356	43.6789
68.1345	109.6349	-2.1146	98.0586	13.6909	109.6349	0.0000	11.9963	1.1413	38.4375
68.5347	106.3934	-2.1146	98.0323	10.4757	106.3934	0.0000	11.9966	0.8732	33.6254
68.9188	103.4574	-2.1146	97.9993	7.5727	103.4574	0.0000	11.9974	0.6312	30.1928
69.2503	102.8571	-2.1146	98.0252	6.9466	102.8571	0.0000	11.9981	0.5790	27.8876
69.5569	102.8571	-2.1146	98.0563	6.9154	102.8571	0.0000	11.9983	0.5764	25.7713
69.8919	102.8571	-2.1146	98.0631	6.9086	102.8571	0.0000	11.9983	0.5758	23.4622
70.1675	95.9665	-2.1146	98.0811	0.0000	95.9665	0.0000	11.9983	0.0000	22.0494
70.1675	95.9665	-2.1146	98.0811	0.0000	95.9665	0.0000	12.0000	0.0000	22.0494
70.5561	83.0604	-2.1146	98.0811	-12.9062	83.0604	0.0000	12.0000	-1.0755	24.6781
70.9447	73.2141	-2.1146	98.0811	-22.7524	73.2141	0.0000	12.0032	-1.8955	31.6896
71.7219	72.0000	-2.1146	98.0745	-23.9599	72.0000	0.0000	12.0057	-1.9957	50.2350

72.0000	72.0000	-2.1146	98.0793	-23.9647	72.0000	0.0000	12.0060	-1.9961	56.8995
---------	---------	---------	---------	----------	---------	--------	---------	---------	---------