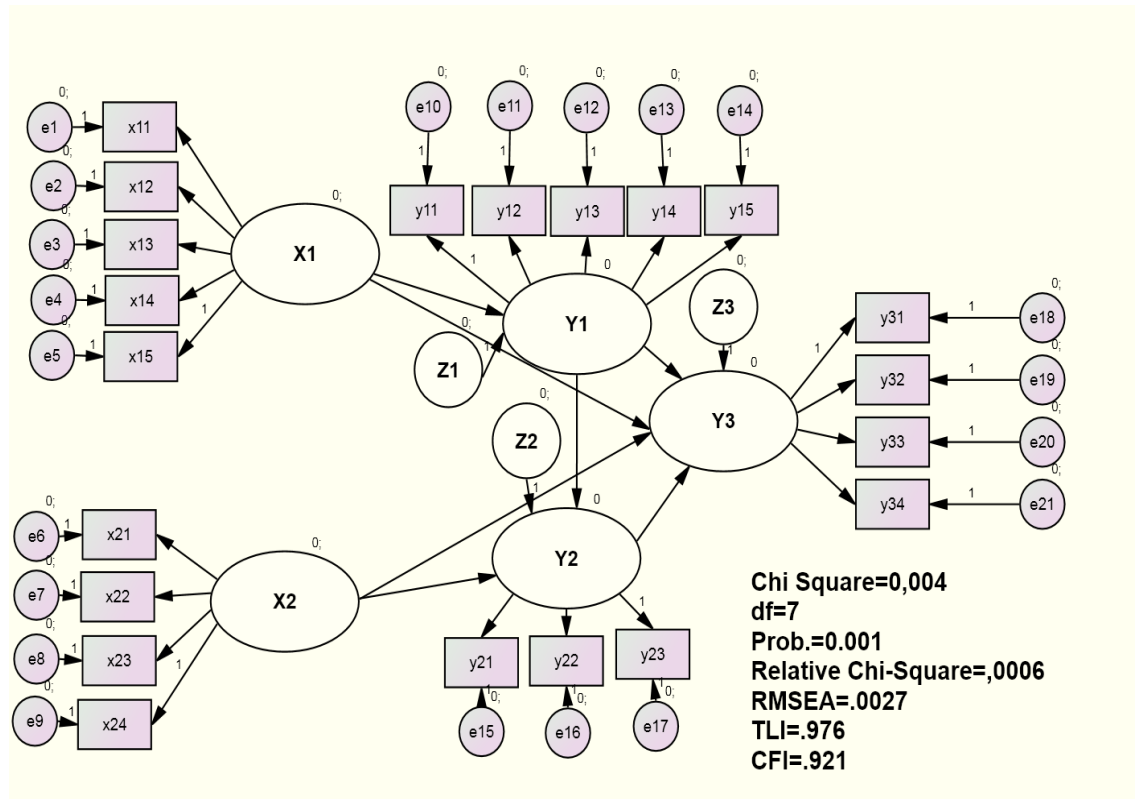
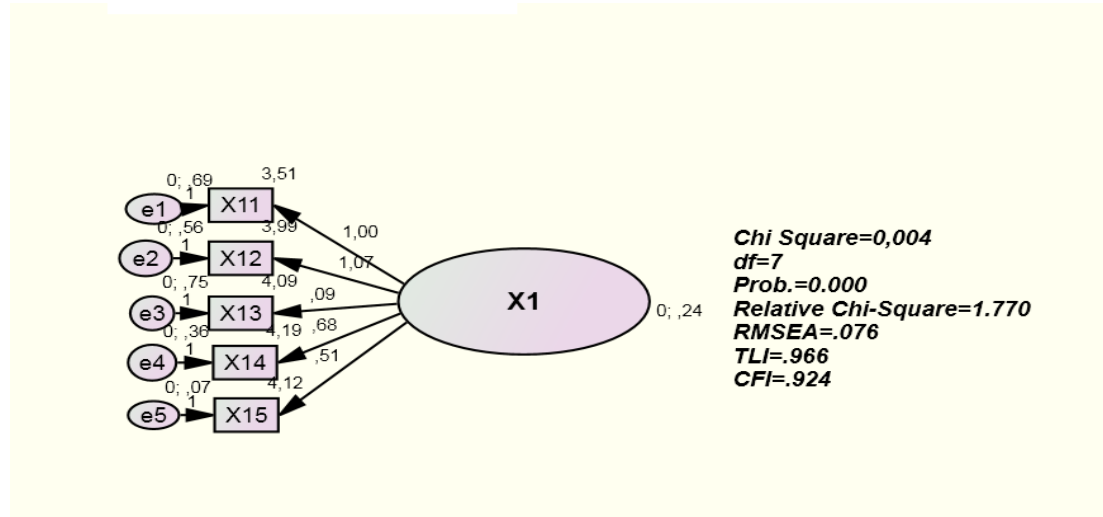


Lampiran 1 :

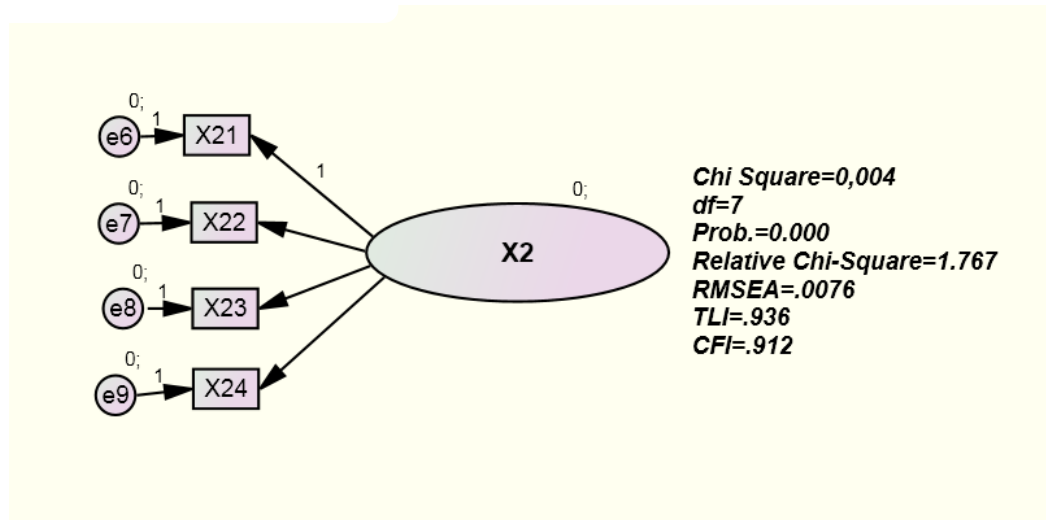


Lampiran 2 :



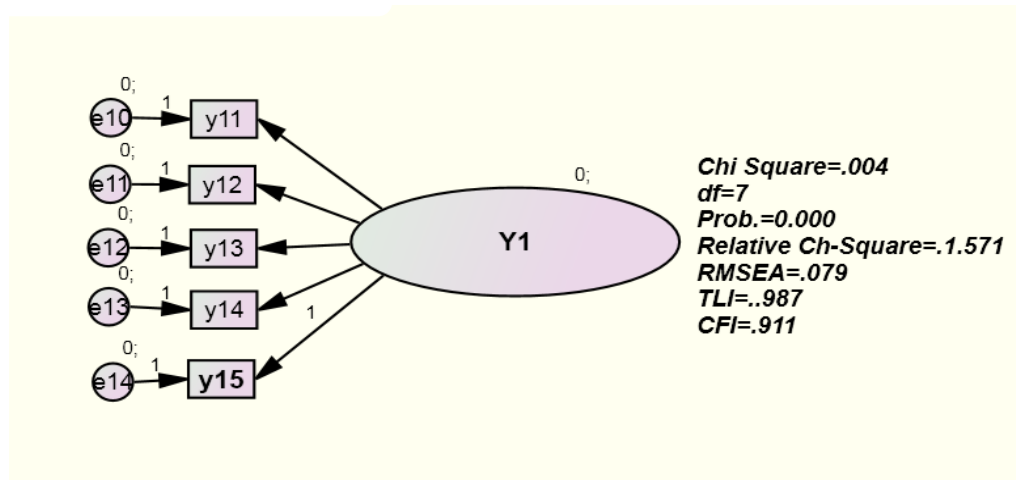
	Estimate	S.E.	C.R.	P	Label
x15 <--- X1	1				
x14 <--- X1	,995	,423	2,353	,019	par_1
x13 <--- X1	,850	,331	2,569	,037	par_2
x12 <--- X1	,902	,413	2,185	,029	par_3
x11 <--- X1	,956	,467	2,048	,041	par_4

Lampiran 3 :



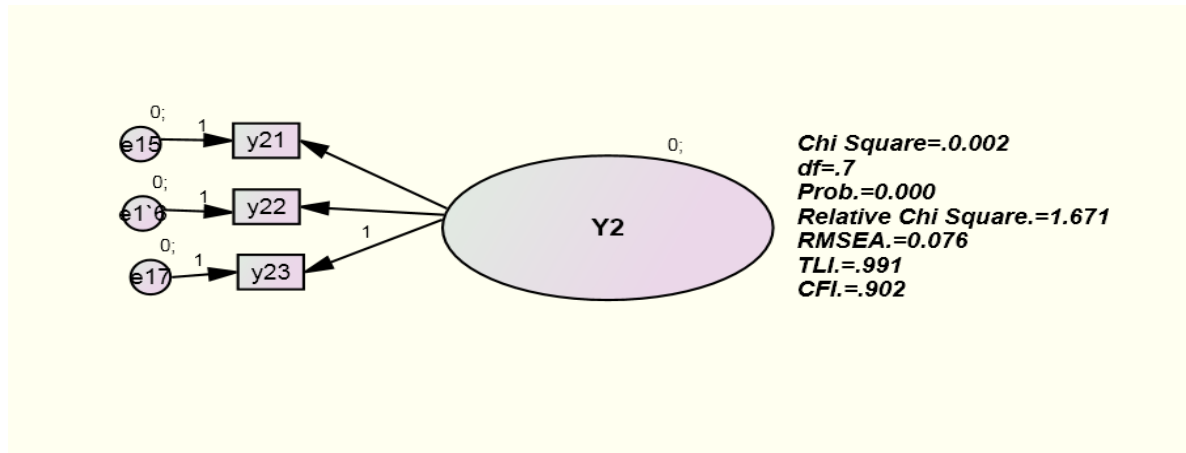
		Estimate	S.E.	C.R.	P	Label
x24	<--- X2	1				
x23	<--- X2	,782	,314	2,491	,013	par_12
x22	<--- X2	,526	,207	2,540	,012	par_13
x21	<--- X2	,760	,313	2,429	,016	par_14

Lampiran 4 :



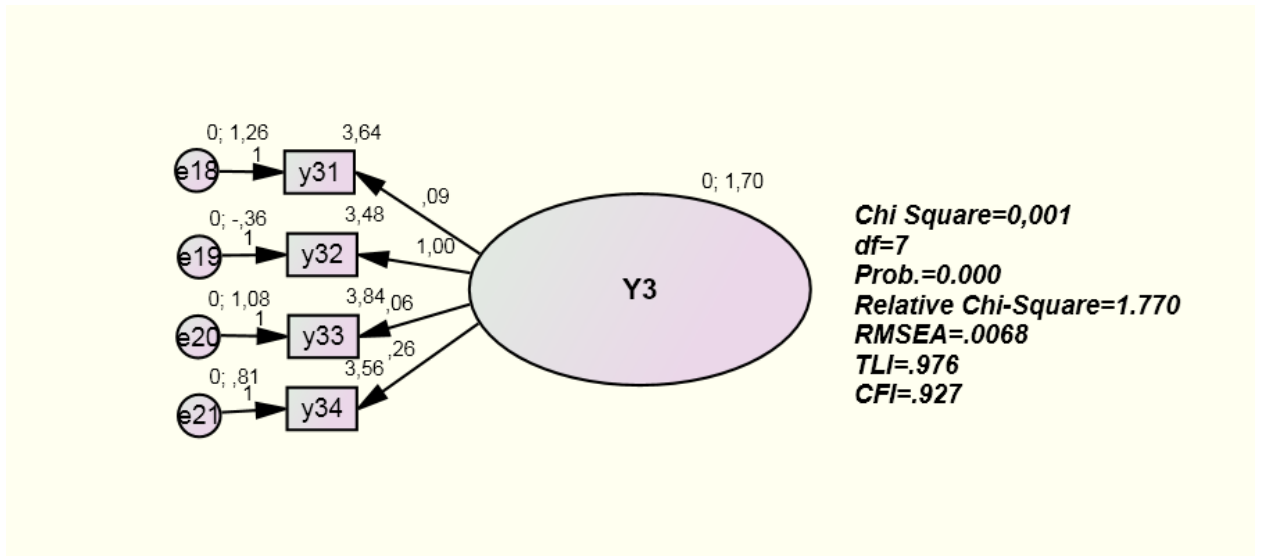
	Estimate	S.E.	C.R.	P	Label
y11 <--- Y1	1				
y12 <--- Y1	,673	,207	3,250	***	par_5
y13 <--- Y1	,735	,322	2,282	,023	par_6
y14 <--- Y1	,992	,213	4,655	***	par_7
y15 <--- Y1	,752	,267	2,817	***	par_8

Lampiran 5 :



	Estimate	S.E.	C.R.	P	Label
y23 <--- Y2	1				
y22 <--- Y2	,965	,298	3,237	***	par_15
y21 <--- Y2	,511	,208	2,456	,014	par_16

Lampiran 6 :



	Estimate	S.E.	C.R.	P	Label
y31 <--- Y3	1				
y32 <--- Y3	,840	,229	3,670	***	par_9
y33 <--- Y3	,953	,197	4,838	***	par_10
y34 <--- Y3	,132	,036	3,670	***	par_11

Lampiran 7 :

Regression Weights: (Group number 1 - Default model)

	Estimate	S.E.	C.R.	P	Label
Y1 <--- X1	,445	,223	1,996	,038	par_17
Y2 <--- Y1	,093	,041	2,257	,019	par_18
Y2 <--- X2	,904	,301	3,002	***	par_20
Y3 <--- X1	,354	,229	1,549	,121	par_19
Y3 <--- X2	,259	,083	3,125	***	par_21
Y3 <--- Y1	,828	,178	4,655	***	par_22
Y3 <--- Y2	,412	,175	2,353	,017	par_23

LAMPIRAN 7a

**PERHITUNGAN SIGNIFIKANSI EFEK TIDAK LANGSUNG VARIABEL
EKSOGEN TERHADAP ENDOGEN**

Variabel		Koefisien	S.E.	CR.	Prob.
Y3<-Y1<--X1	Kemampuan Usaha Terhadap Kinerja Usaha melalui Modal Sosial	0,368	0,040	9,283	***
Y3<-Y2<-- Y1<--X1	Kemampuan Usaha Terhadap Kinerja Usaha Melalui Modal Sosial dan Kewirausahaan	0,017	0,002	10,656	***
Y3<-Y2<--X2	Budaya Terhadap Kinerja Usaha Melalui Kewirausahaan	0,372	0,053	7,071	***
Y3<-Y2<--Y1	Modal Sosial Terhadap Kinerja Usaha Melalui Kewirausahaan	0,038	0,007	5,340	***
Y2<-Y1<--X1	Kemampuan Usaha Terhadap Kewirausahaan Melalui Modal Sosial	0,041	0,009	4,526	***

Perhitungan: Perhitungan setiap jalur dilakukan dengan mengalikan koefisien masing-masing jalur individual yang dilalui.

Lampiran 8 :

Direct Effects (Group number 1 - Default model)

	X1	X2	Y1	Y2	Y3
Y1	,445	,000	,000	,000	,000
Y2	,000	,904	,093	,000	,000
Y3	,354	,259	,828	,412	,000
y21	,000	,000	,000	0,511	,000
y22	,000	,000	,000	0,965	,000
y23	,000	,000	,000	1,000	,000
x21	,000	,760	,000	,000	,000
x22	,000	,526	,000	,000	,000
x23	,000	,782	,000	,000	,000
x24	,000	1,000	,000	,000	,000
y34	,000	,000	,000	,000	,132
y33	,000	,000	,000	,000	,953
y32	,000	,000	,000	,000	,840
y31	,000	,000	,000	,000	1,000
y15	,000	,000	,752	,000	,000
y14	,000	,000	,992	,000	,000
y13	,000	,000	,735	,000	,000
y12	,000	,000	,673	,000	,000
y11	,000	,000	1,000	,000	,000
x11	,956	,000	0,000	,000	,000
x12	,902	,000	0,000	,000	,000
x13	,850	,000	0,000	,000	,000
x14	,995	,000	0,000	,000	,000
x15	1,000	,000	0,000	,000	,000

Lampiran 9 :

Indirect Effects (Group number 1 - Default model)

	X1	X2	Y1	Y2	Y3
Y1	,000	,000	,000	,000	,000
Y2	,041	,000	,000	,000	,000
Y3	,386	,372	,038	,000	,000
y21	,004	,000	,005	,000	,000
y22	,000	,000	,000	,000	,000
y23	,000	,000	,000	,000	,000
x21	,000	,000	,000	,000	,000
x22	,000	,000	,000	,000	,000
x23	,000	,000	,000	,000	,000
x24	,000	,000	,000	,000	,000
y34	,075	,000	,000	,102	,000
y33	,248	,000	,000	,334	,000
y32	,065	,000	,000	,088	,000
y31	,829	,000	,002	1,118	,000
y15	,001	,000	,000	,000	,000
y14	,000	,000	,000	,000	,000
y13	,000	,000	,000	,000	,000
y12	,002	,000	,000	,000	,000
y11	,921	,000	,000	,000	,000
x11	,000	,000	,000	,000	,000
x12	,000	,000	,000	,000	,000
x13	,000	,000	,000	,000	,000
x14	,000	,000	,000	,000	,000
x15	,000	,000	,000	,000	,000

Pengaruh Tidak Langsung	Koefisien	Nilai	
Y ₁ terhadap Y ₃ melalui Y ₂	B ₂ Ω ₄	0,038	
X ₁ terhadap Y ₂ melalui Y ₁	β ₂ α ₁	0,041	
X ₁ terhadap Y ₃ melalui Y ₁	Ω ₃ α ₁	0,369	0,386
X ₁ terhadap Y ₃ melalui Y ₁ dan Y ₂	Ω ₄ β ₂ α ₁	0,017	
X ₂ terhadap Y ₃ melalui Y ₂	Ω ₄ β ₁	0,372	

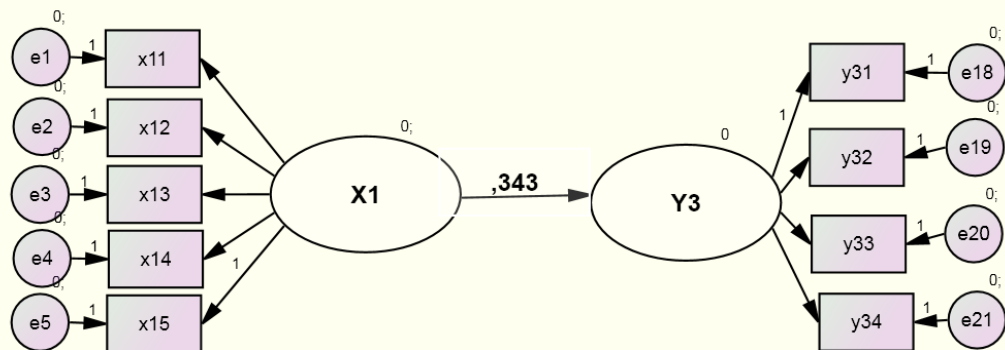
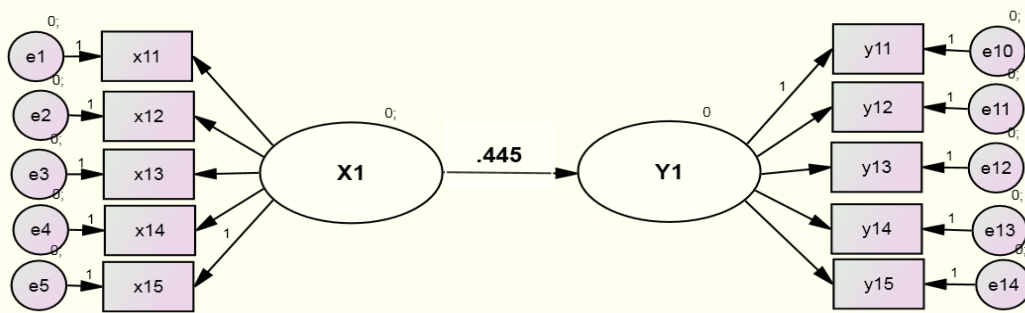
Lampiran 10 :

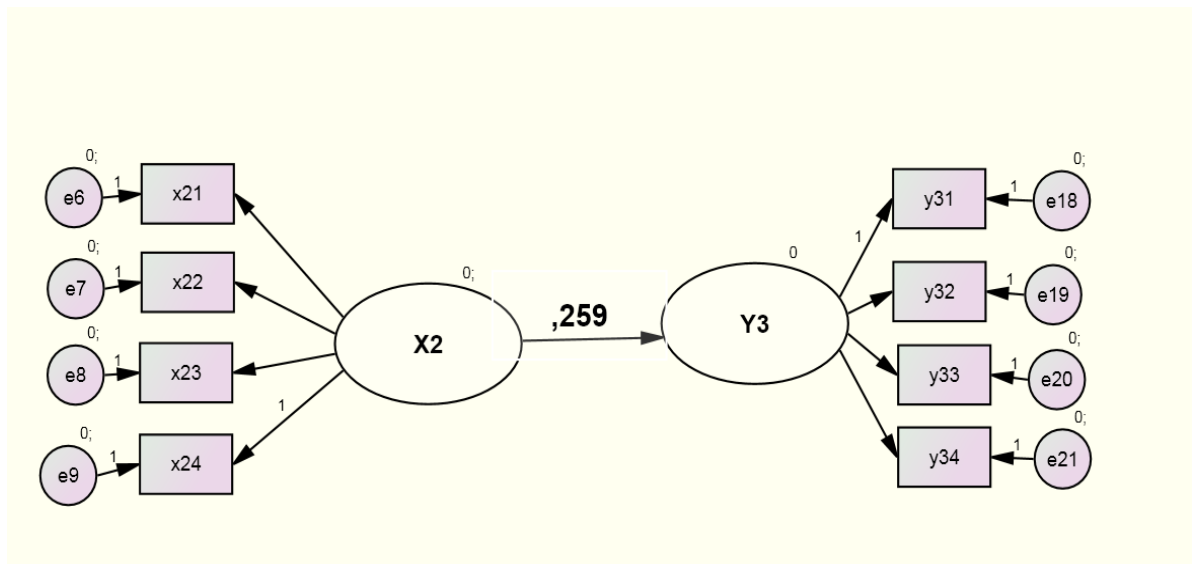
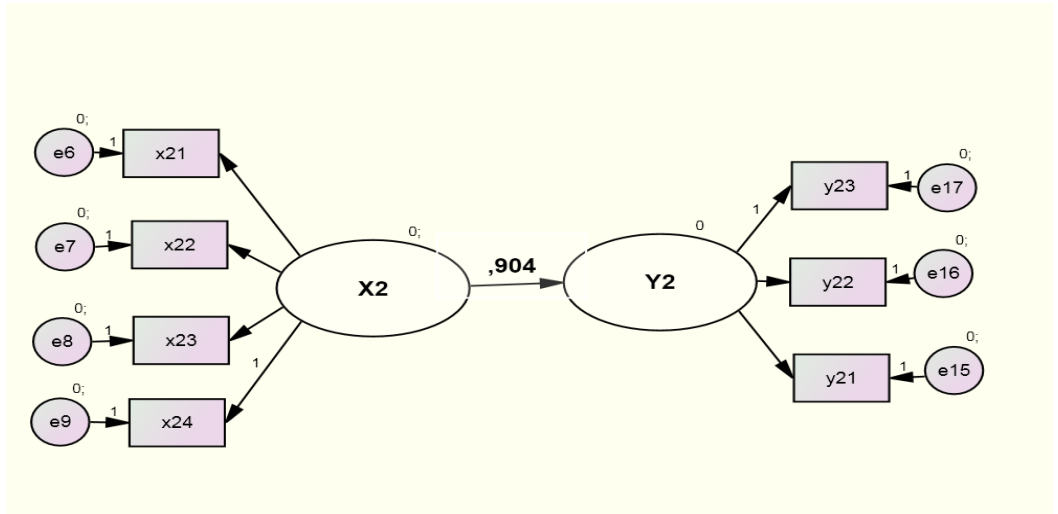
Total Effects (Group number 1 - Default model)

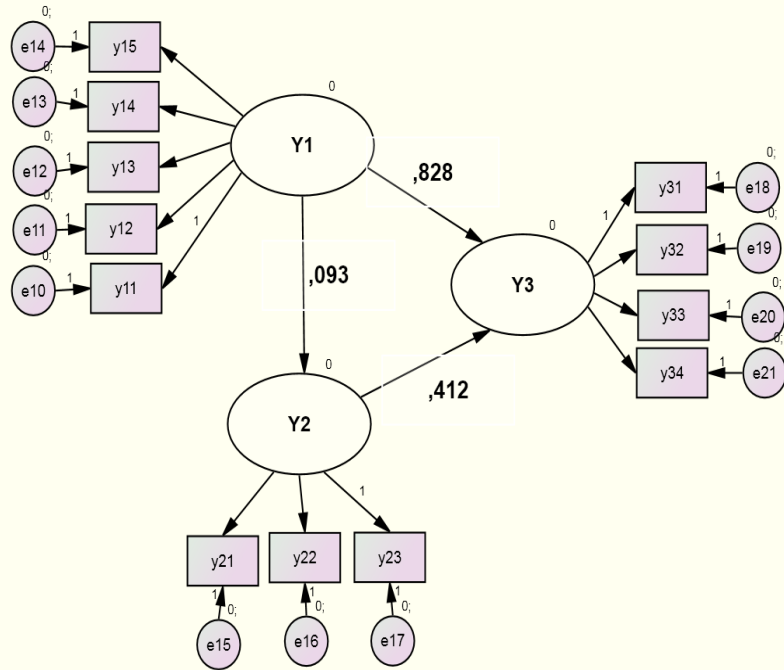
	X1	X2	Y1	Y2	Y3
Y1	,445	,000	,000	,000	,000
Y2	,041	,904	,093	,000	,000
Y3	,740	,631	,866	,412	,000
y21	,004	,000	,005	,511	,000
y22	,000	,000	,000	,965	,000
y23	,000	,000	,000	1,000	,000
x21	,000	,760	,000	,000	,000
x22	,000	,526	,000	,000	,000
x23	,000	,782	,000	,000	,000
x24	,000	1,000	,000	,000	,000
y34	,075	,000	,000	,000	,132
y33	,248	,000	,000	,000	,953
y32	,065	,000	,000	,088	,840
y31	,829	,000	,002	1,118	1,000
y15	,001	,000	,752	,000	,000
y14	,000	,000	,992	,000	,000
y13	,000	,000	,735	,000	,000
y12	,002	,000	,673	,000	,000
y11	,921	,000	1,000	,000	,000
x11	,956	,000	,000	,000	,000
x12	,902	,000	,000	,000	,000
x13	,850	,000	,000	,000	,000
x14	,995	,000	,000	,000	,000
x15	1,000	,000	,000	,000	,000

Lampiran 11

Hubungan Variabel			Koefisien	
Y1	<---	X1	α_1	0,445
Y2	<---	Y1	β_2	0,093
Y2	<---	X2	β_1	0,904
Y3	<---	X1	Ω_1	0,343
Y3	<---	X2	Ω_2	0,259
Y3	<---	Y1	Ω_3	0,828
Y3	<---	Y2	Ω_4	0,412







Lampiran 12

x11

	Frequency	Percent	Valid Percent	Cumulative Percent
1	8	2.7	4.0	4.0
2	12	4.0	6.0	10.0
Valid 3	82	27.3	41.0	51.0
4	66	22.0	33.0	84.0
5	32	10.7	16.0	100.0
Total	200	66.7	100.0	
Missing System	100	33.3		
Total	300	100.0		

x12

	Frequency	Percent	Valid Percent	Cumulative Percent
Valid 1	10	3.3	5.0	5.0
2	5	1.7	2.5	7.5
3	10	3.3	5.0	12.5
4	128	42.7	64.0	76.5
5	47	15.7	23.5	100.0
Total	200	66.7	100.0	
Missing System	100	33.3		
Total	300	100.0		

x13

		Frequency	Percent	Valid Percent	Cumulative Percent
Valid	1	8	2.7	4.0	4.0
	2	4	1.3	2.0	6.0
	3	7	2.3	3.5	9.5
	4	124	41.3	62.0	71.5
	5	57	19.0	28.5	100.0
Total		200	66.7	100.0	
Missing	System	100	33.3		
Total		300	100.0		

x14

		Frequency	Percent	Valid Percent	Cumulative Percent
Valid	1	1	.3	.5	.5
	2	6	2.0	3.0	3.5
	3	8	2.7	4.0	7.5
	4	125	41.7	62.5	70.0
	5	60	20.0	30.0	100.0
Total		200	66.7	100.0	
Missing	System	100	33.3		
Total		300	100.0		

x15

		Frequency	Percent	Valid Percent	Cumulative Percent
Valid	3	3	1.0	1.5	1.5
	4	170	56.7	85.0	86.5
	5	27	9.0	13.5	100.0
Total		200	66.7	100.0	
Missing	System	100	33.3		
Total		300	100.0		

Lampiran 13 :

x21

		Frequency	Percent	Valid Percent	Cumulative Percent
Valid	1	15	5.0	7.5	7.5
	2	17	5.7	8.5	16.0
	3	8	2.7	4.0	20.0
	4	100	33.3	50.0	70.0
	5	60	20.0	30.0	100.0
Total		200	66.7	100.0	
Missing	System	100	33.3		
Total		300	100.0		

x22

		Frequency	Percent	Valid Percent	Cumulative Percent
Valid	1	9	3.0	4.5	4.5
	2	18	6.0	9.0	13.5
	3	27	9.0	13.5	27.0
	4	95	31.7	47.5	74.5
	5	51	17.0	25.5	100.0
Total		200	66.7	100.0	
Missing	System	100	33.3		
Total		300	100.0		

x23

		Frequency	Percent	Valid Percent	Cumulative Percent
Valid	1	11	3.7	5.5	5.5
	2	11	3.7	5.5	11.0
	3	27	9.0	13.5	24.5
	4	98	32.7	49.0	73.5
	5	53	17.7	26.5	100.0
Total		200	66.7	100.0	
Missing	System	100	33.3		
Total		300	100.0		

x24

		Frequency	Percent	Valid Percent	Cumulative Percent
Valid	1	8	2.7	4.0	4.0
	2	14	4.7	7.0	11.0
	3	46	15.3	23.0	34.0
	4	76	25.3	38.0	72.0
	5	56	18.7	28.0	100.0
Total		200	66.7	100.0	
Missing	System	100	33.3		
Total		300	100.0		

Lampiran 14 :

y11

		Frequency	Percent	Valid Percent	Cumulative Percent
Valid	1	15	5.0	7.5	7.5
	2	10	3.3	5.0	12.5
	3	37	12.3	18.5	31.0
	4	94	31.3	47.0	78.0
	5	44	14.7	22.0	100.0
Total		200	66.7	100.0	
Missing	System	100	33.3		
Total		300	100.0		

y12

		Frequency	Percent	Valid Percent	Cumulative Percent
Valid	1	11	3.7	5.5	5.5
	2	10	3.3	5.0	10.5
	3	29	9.7	14.5	25.0
	4	94	31.3	47.0	72.0
	5	56	18.7	28.0	100.0
Total		200	66.7	100.0	
Missing	System	100	33.3		
Total		300	100.0		

y13

		Frequency	Percent	Valid Percent	Cumulative Percent
Valid	1	2	.7	1.0	1.0
	2	10	3.3	5.0	6.0
	3	31	10.3	15.5	21.5
	4	107	35.7	53.5	75.0
	5	50	16.6	25.0	100.0
Total		200	66.7	100.0	
Missing	System	100	33.3		
Total		300	100.0		

y14

		Frequency	Percent	Valid Percent	Cumulative Percent
Valid	1	5	1.7	2.5	2.5
	2	6	2.0	3.0	5.5
	3	66	22.0	33.0	38.5
	4	72	24.0	36.0	74.5
	5	51	17.0	25.5	100.0
Total		200	66.7	100.0	
Missing	System	100	33.3		
Total		300	100.0		

y15

		Frequency	Percent	Valid Percent	Cumulative Percent
Valid	1	6	2.0	3.0	3.0
	2	6	2.0	3.0	6.0
	3	61	20.3	30.5	36.5
	4	85	28.3	42.5	79.0
	5	42	14.0	21.0	100.0
Total		200	66.7	100.0	
Missing	System	100	33.3		
Total		300	100.0		

Lampiran 15 :

y21

		Frequency	Percent	Valid Percent	Cumulative Percent
Valid	1	12	4.0	6.0	6.0
	2	29	9.7	14.5	20.5
	3	63	21.0	31.5	52.0
	4	43	14.3	21.5	73.5
	5	531	17.6	26.5	100.0
Total		200	66.7	100.0	
Missing	System	100	33.3		
Total		300	100.0		

y22

		Frequency	Percent	Valid Percent	Cumulative Percent
Valid	1	15	5.0	7.5	7.5
	2	5	1.7	2.5	10.0
	3	27	9.0	13.5	23.5
	4	96	32.0	48.0	71.5
	5	57	19.0	28.5	100.0
Total		200	66.7	100.0	
Missing	System	100	33.3		
Total		300	100.0		

y23

		Frequency	Percent	Valid Percent	Cumulative Percent
Valid	1	9	3.0	4.5	4.5
	2	8	2.7	4.0	8.5
	3	24	8.0	12.0	20.5
	4	82	27.3	41.0	61.5
	5	77	25.7	38.5	100.05
Total		200	66.7	100.0	
Missing	System	100	33.3		
Total		300	100.0		

Lampiran 16 :

y31

		Frequency	Percent	Valid Percent	Cumulative Percent
Valid	1	10	3.3	5.0	5.0
	2	28	9.3	14.0	19.0
	3	33	11.0	16.5	35.5
	4	83	27.7	41.5	77.0
	5	46	15.3	23.0	100.0
	Total	200	66.7	100.0	
Missing	System	100	33.3		
	Total	300	100.0		

y32

		Frequency	Percent	Valid Percent	Cumulative Percent
Valid	1	15	5.0	7.5	7.5
	2	20	6.7	10.0	17.5
	3	62	20.7	31.0	48.5
	4	61	20.3	30.5	79.0
	5	42	14.0	20.5	100.0
	Total	200	66.7	100.0	
Missing	System	100	33.3		
	Total	300	100.0		

y34

		Frequency	Percent	Valid Percent	Cumulative Percent
Valid	1	2	.7	1.0	1.0
	2	18	6.0	9.0	10.0
	3	88	29.3	44.0	54.0
	4	54	18.0	27.0	81.0
	5	38	12.7	19.0	100.0
	Total	200	66.7	100.0	
Missing	System	100	33.3		
	Total	300	100.0		