

DAFTAR PUSTAKA

- Agustian, N., & Salsabila, U. H. (2021). Peran Teknologi Pendidikan dalam Pembelajaran. *Islamika*, 3(1), 123–133. <https://doi.org/10.36088/islamika.v3i1.1047>
- Alahi, M. E. E., Sukkuea, A., Tina, F. W., Nag, A., Kurdthongmee, W., Suwannarat, K., & Mukhopadhyay, S. C. (2023). Integration of IoT-Enabled Technologies and Artificial Intelligence (AI) for Smart City Scenario: Recent Advancements and Future Trends. *Sensors*, 23(11). <https://doi.org/10.3390/s23115206>
- Anwar, S. 2019. Revolusi Industri 4.0 Islam Dalam Merespon Tantangan Teknologi Digitalisasi. *At-Tuhfah: Jurnal Studi Keislaman*. Vol.8, No.2
- Badan Pusat Statistic. 2020. Kecamatan Duampanua: Kabupaten Pinrang
- Bationo, A. & Kihara, Job & Vanlauwe, Bernard & Waswa, Boaz & Kimetu, Joseph. 2008. Soil organik carbon dynamics, functions and management in West African agro-ecosystems. *Agricultural Systems*. 94. 13-25. 10.1016
- Benington, H, D. 1956. *Waterfall Methods*
- Berger, K., Machwitz, M., Kycko, M., Kefauver, S. C., Van Wittenberghe, S., Gerhards, M., Verrelst, J., Atzberger, C., van der Tol, C., Damm, A., Rascher, U., Herrmann, I., Paz, V. S., Fahrner, S., Pieruschka, R., Prikaziuk, E., Buchailot, M. L., Halabuk, A., Celesti, M., ... Schlerf, M. (2022). Multi-sensor spectral synergies for crop stress detection and monitoring in the optical domain: A review. *Remote Sensing of Environment*, 280(April). <https://doi.org/10.1016/j.rse.2022.113198>
- Castaldi, F., Palombo, A., Santini, F., Pascucci, S., Pignatti, S., & Casa, R. (2016). Evaluation of the potential of the current and forthcoming multispectral and hyperspectral imagers to estimate soil texture and organic carbon. *Remote Sensing of Environment*, 179, 54–65. <https://doi.org/10.1016/j.rse.2016.03.025>.
- Crucil, G., Castaldi, F., Aldana-Jague, E., van Wesemael, B., Macdonald, A., & Oost, K. (2019). Assessing the performance of UAS-Compatible multispectral and hyperspectral sensors for soil organic carbon prediction. *Sustainability (Switzerland)*, 11(7). <https://doi.org/10.3390/su11071889>
- Friedlingstein, P., Jones, M. W., O'Sullivan, M., Andrew, R. M., Bakker, D. C. E., Hauck, J., Le Quéré, C., Peters, G. P., Peters, W., Pongratz, J., Sitch, S., Canadell, J. G., Ciais, P., Jackson, R. B., Alin, S. R., Anthoni, P., Bates, N. R., Becker, M., Bellouin, N., ... Zeng, J. (2022). Global carbon budget 2021. *Earth System Science Data*, 14(4), 1917– 2005. <https://doi.org/10.5194/essd->
- Gholizadeh, A., Žižala, D., Saberioon, M., & Borůvka, L. (2018). Soil organic carbon and texture retrieving and mapping using proximal, airborne and Sentinel-2 spectral imaging. *Remote Sensing of Environment*, 218(September 2017), 89–103. <https://doi.org/10.1016/j.rse.2018.09.015>

- Gleen., Y. 2019. Evaluasi Kesesuaian Lahan Untuk Tanaman Mentimun (*Cucumis Sativus* LINN) Di Desa Saham Kecamatan Sengah Temila Kabupaten Landak. *Artikel Ilmiah*. Universitas Tanjungpura. Pontianak
- Guenet, B., Gabrielle, B., Chenu, C., Arrouays, D., Balesdent, J., Bernoux, M., Bruni, E., Caliman, J.- P., Cardinael, R., Chen, S., Ciais, P., Desbois, D., Fouche, J., Frank, S., Henault, C., Lugato, E., Naipal, V., Nesme, T., Obersteiner, M., ... Zhou, F. (2021). Can N₂O emissions offset the benefits from soil organic carbon storage? *Global Change Biology*, 27(2), 237– 256. <https://doi.org/10.1111/gcb.15342>
- Holilullah., Afandi., Novpriansyah, H. 2015. Karakteristik Sifat Fisik Tanah Pada Lahan Produksi Rendah Dan Tinggi Di Pt Great Giant Pineapple. *Jurnal Agrotek Tropika*. Vol. 3, No. 2: 278-282. ISSN 2337-4993
- Janah, R., Eddy, B. T., Dalmyiatun, T. 2017. Changes In Agricultural Land Use And Its Impacts On The Lives Of Farmers At Sayung Subdistrict, Demak Regency. *Juornal of Agrisocionomics*. Vol 1 (1):1-10. ISSN 2580-0566
- Jain, A., Saify, A., & Kate, V. (2020). Prediction of Nutrients (N, P, K) in soil using Color Sensor (TCS3200). *International Journal of Innovative Technology and Exploring Engineering*, 9(3), 1768–1771. <https://doi.org/10.35940/ijitee.b7089.019320>
- Jeffery, S., Abalos, D., Prodana, M., Bastos, A. C., van Groenigen, J. W., Hungate, B. A., & Verheijen, F. (2017). Biochar boosts tropical but not temperate crop yields. *Environmental Research Letters*, 12(5), 053001.
- Juman, K. K. (2016). *Pemanfaatan Teknologi Digital Diberbagai Bidang*. 0. www.esaunggul.ac.id
- Khoirul. M. A, et al. 2014. Pembuatan Alat Penentu Warna Tanah Berdasarkan Munsell Soil Color Charts. *Fakultas MIPA. Jurusan Fisika. IPB*. Bogor
- Lailatussyukriah. (2015). Indonesia dan Konsepsi Negara Agraris. *Jurnal Seuneubok Lada*, 2(1), 1–8.
- Li, X., Li, Z., Qiu, H., Chen, G., & Fan, P. (2023). Soil carbon content prediction using multi-source data feature fusion of deep learning based on spectral and hyperspectral images. *Chemosphere*, 336, 139161. <https://doi.org/10.1016/J.CHEMOSPHERE.2023.139161>
- Margolang, Rizky D. M. R. D., et al. "Karakteristik Beberapa Sifat Fisik, Kimia, Dan Biologi Tanah Pada Sistem Pertanian Organik." *Jurnal Agroekoteknologi Universitas Sumatera Utara*, vol. 3, no. 2, 2015, doi:[10.32734/jaet.v3i2.10358](https://doi.org/10.32734/jaet.v3i2.10358).
- McNally, S. R., Beare, M. H., Curtin, D., Meenken, E. D., Kelliher, F. M., Pereira, R. C., Shen, Q., & Baldock, J. (2017). Soil carbon sequestration potential of permanent pasture and continuous cropping soils in New Zealand. *Global Change Biology*, 23(11), 4544– 4555. <https://doi.org/10.1111/gcb.13720>

- Moinet, G. Y. K., Hijbeek, R., van Vuuren, D. P., & Giller, K. E. (2023). Carbon for soils, not soils for carbon. *Global Change Biology*, 29(9), 2384–2398. <https://doi.org/10.1111/gcb.16570>
- Moinet, G. Y. K., Moinet, M., Hunt, J. E., Rumpel, C., Chabbi, A., & Millard, P. (2020). Temperature sensitivity of decomposition decreases with increasing soil organic matter stability. *Science of the Total Environment*, 704. Scopus, 135460. <https://doi.org/10.1016/j.scitotenv.2019.135460>
- Mukhopadhyay, S., & Chakraborty, S. (2020). Use of diffuse reflectance spectroscopy and Nix pro color sensor in combination for rapid prediction of soil organic carbon. *Computers and Electronics in Agriculture*, 176. <https://doi.org/10.1016/j.compag.2020.105630>
- Olorunfemi, B. O., Nwulu, N. I., & Ogbolumani, O. A. (2023). Solar panel surface dirt detection and removal based on arduino color recognition. *MethodsX*, 10(April 2022), 101967. <https://doi.org/10.1016/j.mex.2022.101967>
- Pane, N. (2016). *Analisa Kadar Karbon Organik Tanah Gambut Berdasarkan Kedalaman Tanah Secara Continous Flow Analyzer*.
- Pressman, R. S. 2012 *Rekayasa Perangkat Lunak (Pendekatan Praktisi)*, Yogyakarta: Penerbit ANDI, 2012.
- Priandana, K., S, A. Z., & Sukarman, S. (2016). Mobile Munsell Soil Color Chart Berbasis Android Menggunakan Histogram Ruang Citra HVC dengan Klasifikasi KNN. *Jurnal Ilmu Komputer Dan Agri-Informatika*, 3(2), 93. <https://doi.org/10.29244/jika.3.2.93-101>
- Reichle, D. E., & Reichle, D. E. (2023). *The Global Carbon Cycle and Climate Change (Second Edition)*.
- Reddy, A. D., Hawbaker, T. J., Wurster, F., Zhu, Z., Ward, S., Newcomb, D., & Murray, R. (2015). Quantifying soil carbon loss and uncertainty from a peatland wildfire using multi-temporal LiDAR. *Remote Sensing of Environment*, 170, 306–316. <https://doi.org/10.1016/J.RSE.2015.09.017>
- Saidy, A. R. 2021. *Stabilisasi Bahan Organik Tanah : Peningkatan Kesuburan Tanah Dan Penurunan Emisi Gas Rumah Kaca*. Cv Budi Utama : Yogyakarta.
- Schmidt, S. A., & Ahn, C. (2021). Predicting forested wetland soil carbon using quantitative color sensor measurements in the region of northern Virginia, USA. *Journal of Environmental Management*, 300. <https://doi.org/10.1016/j.jenvman.2021.113823>
- Setiawan, W. (2017). Era Digital dan Tantangannya. Seminar Nasional Pendidikan. Seminar Nasional Pendidikan, 1–9.
- Singh, M., Patkar, R. S., Vinchurkar, M., & Baghini, M. S. (2020). Cost Effective Soil pH Sensor Using Carbon-Based Screen-Printed Electrodes. *IEEE Sensors Journal*, 20(1). <https://doi.org/10.1109/JSEN.2019.2941695>

- Siregar, B. (2017). Analisa Kadar C-Organik dan Perbandingan C/N Tanah di Lahan Tambak Kelurahan Sicanang Kecamatan Medan Belawan. *Jurnal Warta Edisi*, 53(1), 1–14.
- Stiglitz, R., Mikhailova, E., Post, C., Schlautman, M., & Sharp, J. (2017). Using an inexpensive color sensor for rapid assessment of soil organic carbon. *Geoderma*, 286. <https://doi.org/10.1016/j.geoderma.2016.10.027>
- Stockmann, U., M. A. Adams, J. W. Crawford, D. J. Field, N. Henakaarchchi, M. Jenkins, B. Minasny, A. B. Mcbratney, V. De R. De Courcelles, K. Singh, I. Wheeler, L. Abbott, D. A. Angers, J. Baldock, M. Bird, P. C. Brookesf, C. Chenu, J. D. Jastrow, R. Lal, J. Lehmann, A. G. O'donnell, W. J. Partonl, D. Whitehead, M, Zimmermann. 2012. The Knowns, Known Unknowns And Unknowns Of Sequestration Of Soil Organik Carbon. *Agriculture, Ecosystems And Environment*. Vol 164: 80-99.
- Sukarman, Ritung, S., Anda, M., & Suryani, E. (2017). Guidelines for soil observation in the field. In *Agricultural Research and Development Agency, Ministry of Agriculture Republic of Indonesia, Bogor*.
- Suparto, Eviati, & Sulaeman. (2005). PETUNJUK TEKNIS ANALISIS KIMIA TANAH, TANAMAN, AIR, DAN PUPUK. In B. H. Prasetyo, D. Santoso, & L. R. Widowati (Eds.), *Balai Penelitian Tanah*. Balai Penelitian Tanah. <https://repository.pertanian.go.id/handle/123456789/14959>
- Supriyadi, S. 2008. Kandungan Bahan Organik Sebagai Dasar Pengelolaan Tanah di Lahan Kering Madura. Universitas Trunojoyo. Embryo Vol 5 NO 1
- Swetha, R. K., & Chakraborty, S. (2021). Combination of soil texture with Nix color sensor can improve soil organic carbon prediction. *Geoderma*, 382. <https://doi.org/10.1016/j.geoderma.2020.114775>
- Syahputra, A., Adrinata, M, A., Ihsan, M., Imam, R, G., et al. 2017. Sensor. Universitas Sumatera Utara
- TAOS corp. 2009. Datasheet for TCS3200 and TCS3210 programmable color light to frequency converter. [terhubung berkala]. <http://www.dfrobot.com/image/data/SEN0101/TCS3200%20TCS3210.pdf> [9 April 2014]
- USDA. (2016). Kunci Taksonomi Tanah Kunci Taksonomi Tanah.
- Wunarlan, I., Syaf, H. 2019. Analisis Pengaruh Pertumbuhan Penduduk Dan Produktivitas Lahan Terhadap Alih Fungsi Lahan Perkotaan (Studi Kasus Kota Marisa). *Jurnal Perencanaan Wilayah* Vol 4 No 1 ISSN: 2502 – 4205
- Xu, X., Bai, Z., & Wang, T. (2022). Portable device for on-site detection of ammonia nitrogen. *Information Processing in Agriculture*, 9(4), 475–484. <https://doi.org/10.1016/J.INPA.2022.07.003>

LAMPIRAN



TP1 (Jenepono) Kebun Kelapa



TP2 (Jenepono) Sawah



TP5 (Jenepono) Kebun Lontar



TP6 (Jenepono) Ladang Jagung



TP7 (Jenepono) Ladang Jagung



TP9 (Jenepono) Bekas Ladang Jagung



TP10 (Takalar) Sawah



TP12 (Gowa) Hutan Jati



TP 13 (Gowa) Ladang Jagung



TP 18 (Pangkep) Hutan



TP15 (Makassar) Kebun Ubi

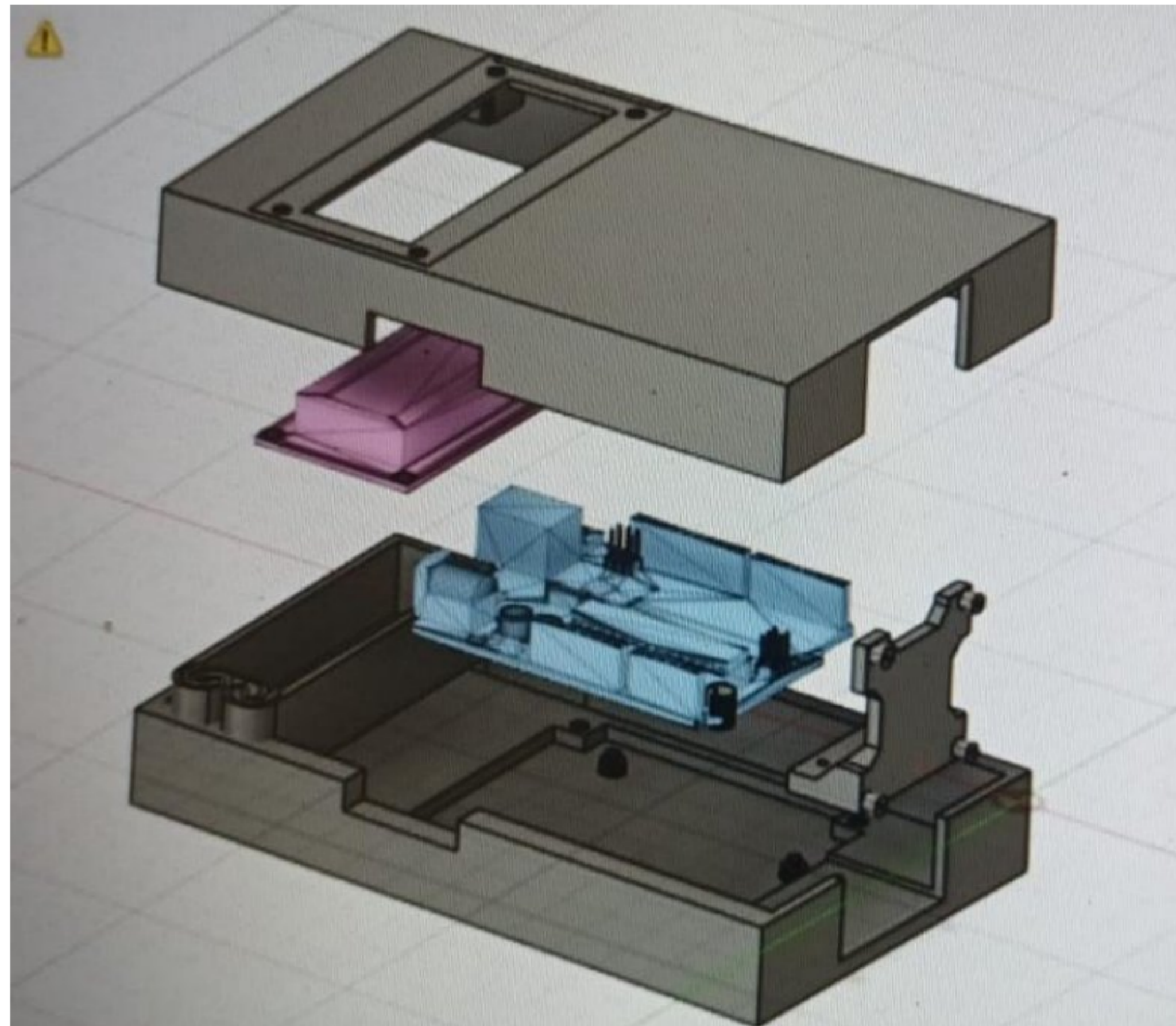


TP 33 (Sidrap) Kebun Buah

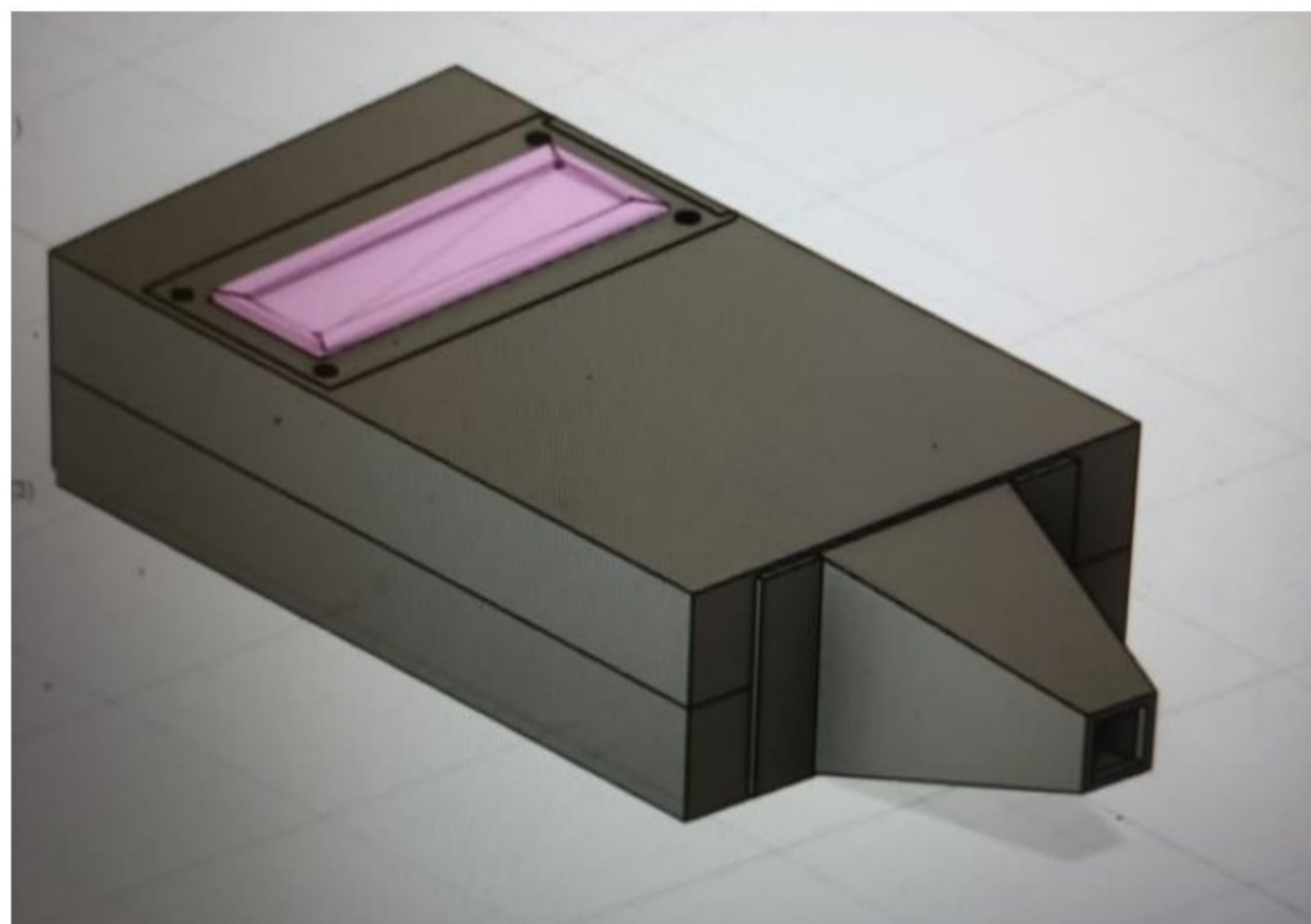
Lampiran 1. Dokumentasi Lokasi Pengambilan sampel



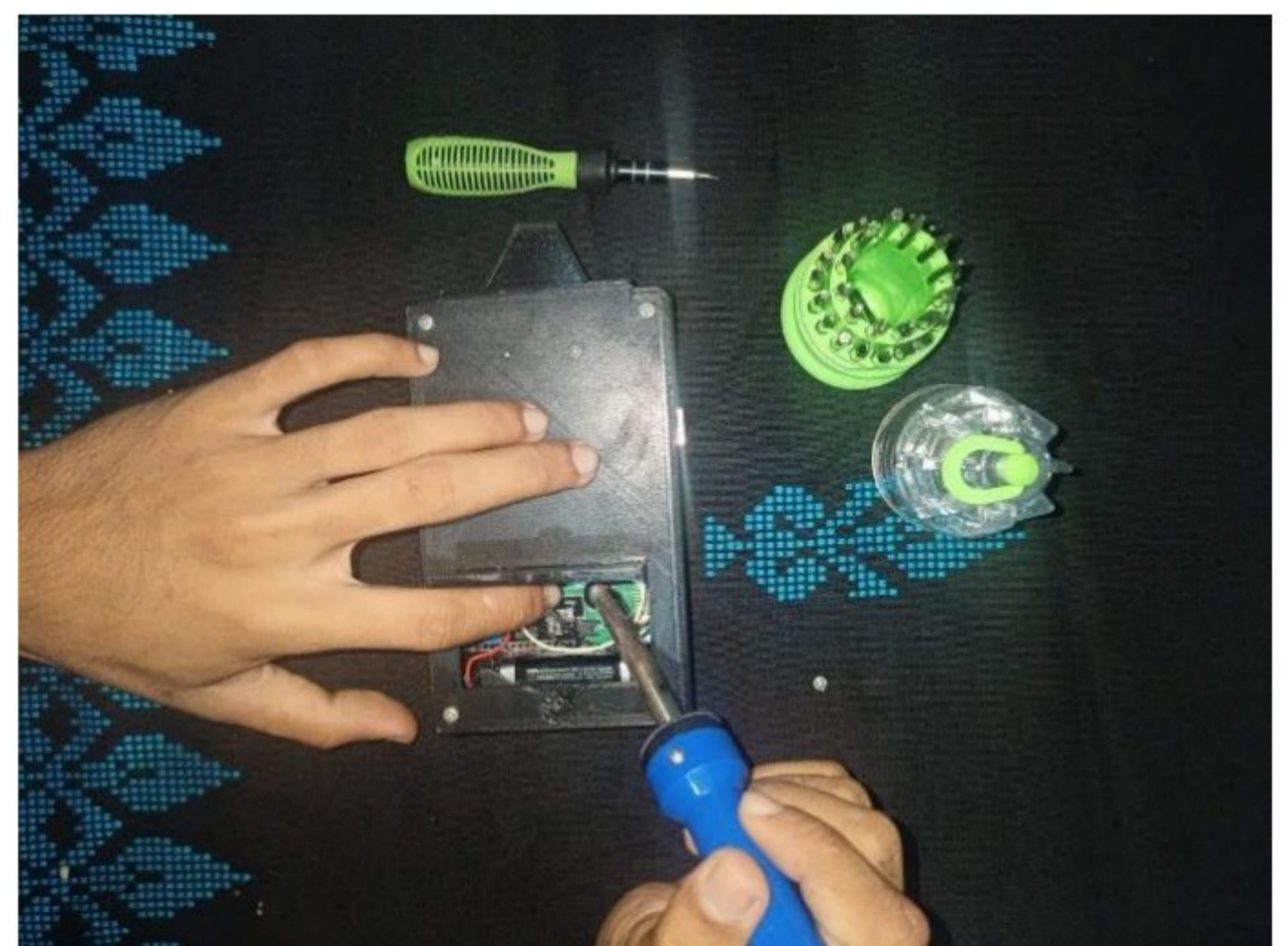
Lampiran 2. Dokumentasi Proses Analisis Sampel



a. Pembuatan desain 3D prototipe

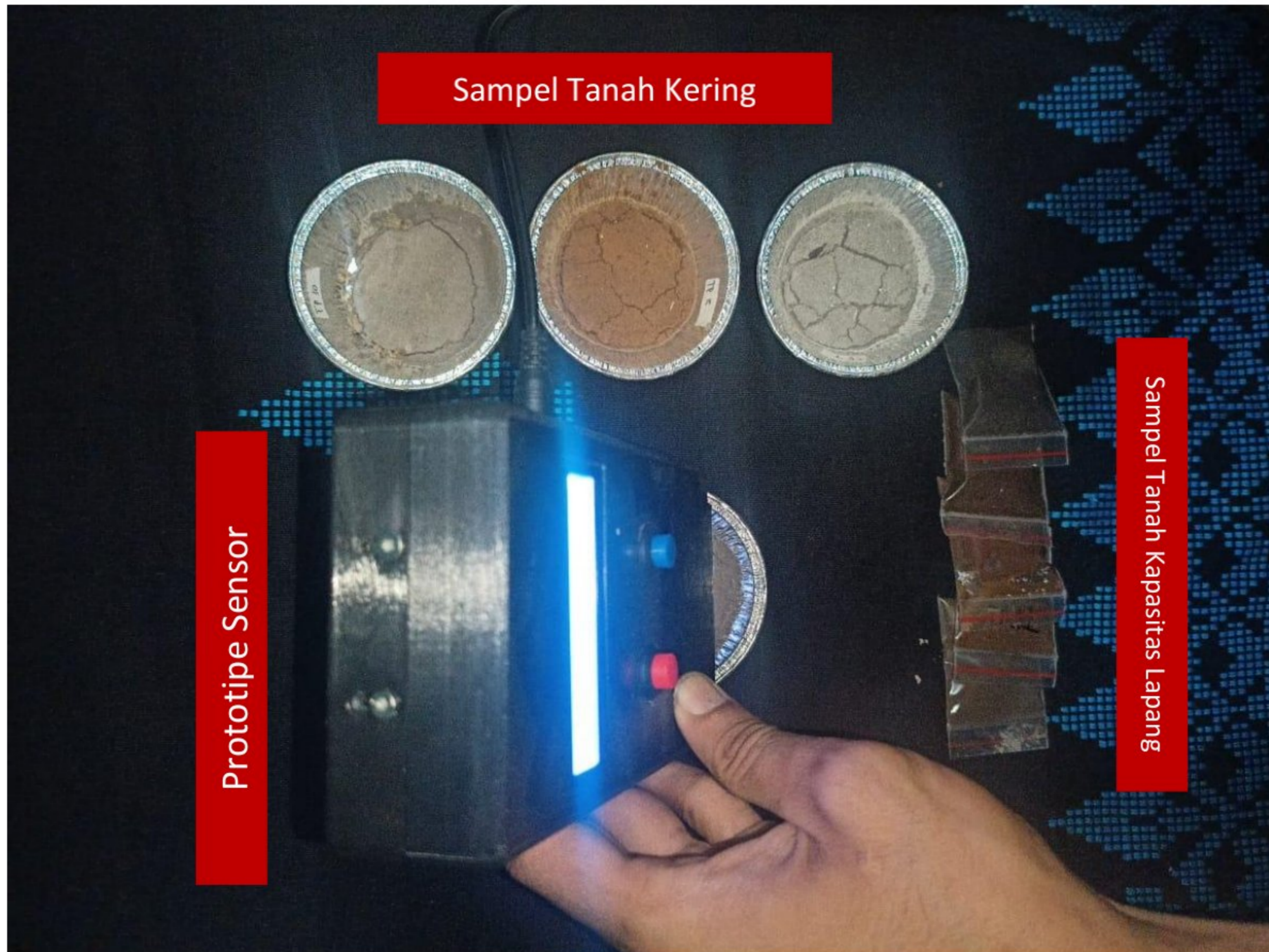


b. Gambaran 3D model Prototipe

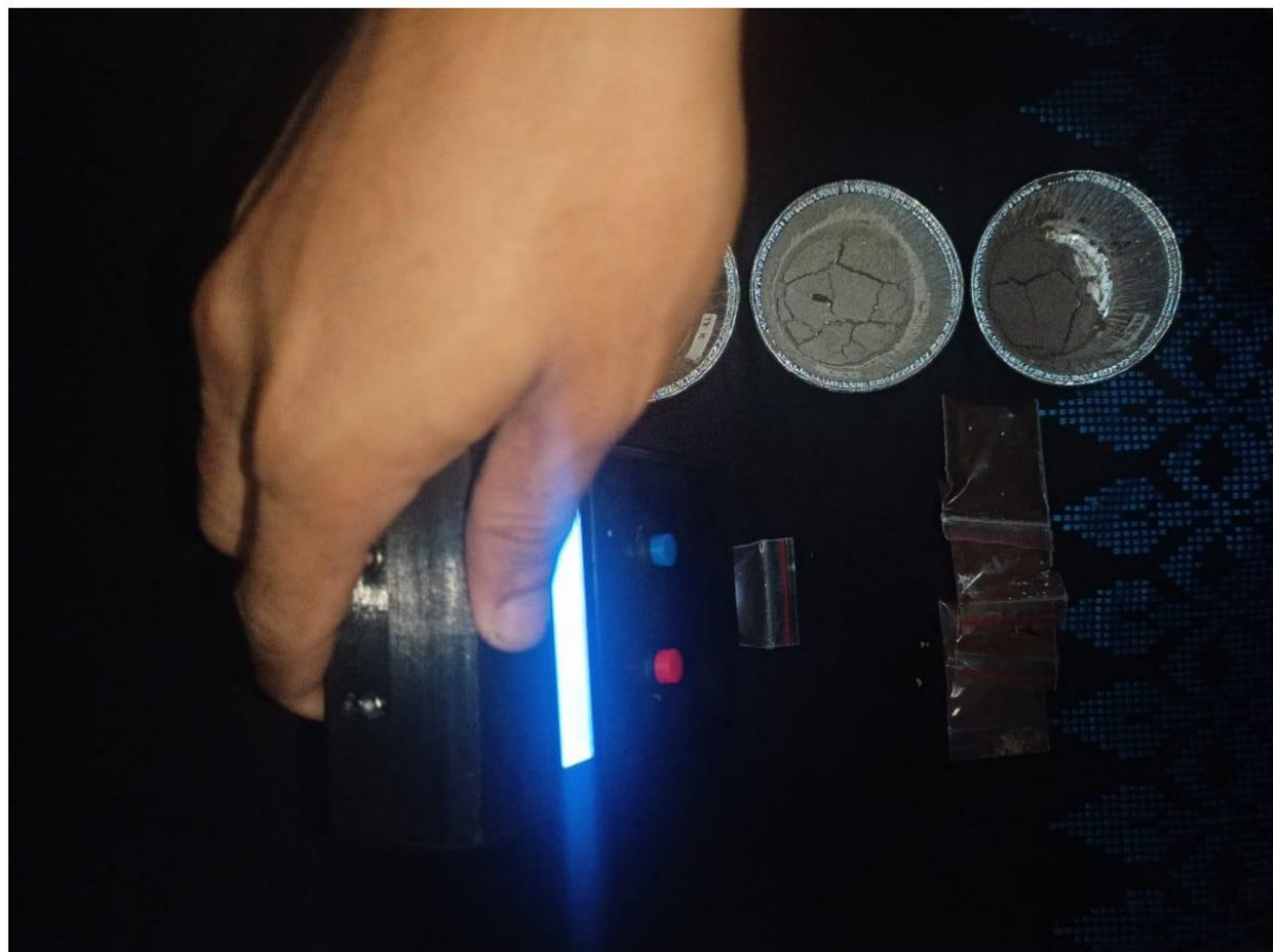


c. Pengrakitan dan penyetelan prototipe sensor

Lampiran 3. Dokumentasi Pembuatan Alat



a. Pengujian prototipe pada sampel tanah kering



b. Pengujian prototipe pada sampel tanah lembab

Lampiran 4. Dokumentasi Uji Coba Alat di Laboratorium

Lampiran 5. Bacaan Sensor Terhadap Kandungan C-organik Pada Tanah Kering

Pembacaan Warna Tanah Kondisi Kering						
Sampel	Penggunaan Lahan	Jenis Tanah	C-Organik (%)	Bacaan Sensor		
				R	G	B
TP1	Kelapa	Inceptisol	1,95	70	61	49
TP2	Sawah	Ultisol	1,28	146	172	117
TP3	Kelapa	Entisol	1,30	128	117	105
TP4	Padi	Inceptisol	1,08	105	88	73
TP5	Lontar	Alfisol	2,87	56	58	53
TP6	Jagung	Ultisol	1,78	103	83	64
TP7	Jagung	Vertisol	1,42	127	123	115
TP8	Jagung	Vertisol	2,29	44	48	43
TP9	Jagung	Ultisol	0,97	106	85	66
TP10	Padi	Entisol	1,83	122	103	82
TP11	Padi	Inceptisol	1,13	46	34	23
TP12	Jati	Ultisol	0,97	134	106	82
TP13	Jagung	Inceptisol	0,61	78	48	29
TP14	Pinus	Inceptisol	1,70	78	58	40
TP15	Ubi	Ultisol	1,13	69	40	25
TP16	Padi	Ultisol	1,43	87	63	40
TP17	Bambu	Inceptisol	2,84	46	40	29
TP18	Hutan	Molisol	2,80	69	60	48
TP20	Jeruk	Entisol	1,26	113	85	59
TP21	Jeruk	Entisol	1,61	106	81	58
TP23	Hutan	Ultisol	2,66	42	36	24
TP24	Jati	Molisol	0,85	83	67	52
TP25	Hutan	Entisol	2,08	51	40	29
TP26	Hutan	Inceptisol	2,63	43	37	24
TP27	Padi	Inceptisol	1,49	82	71	58
TP28	Padi	Inceptisol	2,48	71	60	45
TP29	Jati	Inceptisol	1,37	110	87	70
TP30	Jagung	Inceptisol	2,53	59	52	39
TP31	Hutan	Inceptisol	2,67	97	88	76
TP32	Kelapa	Inceptisol	3,30	65	64	57
TP33	Jeruk	Ultisol	2,48	68	54	40
TP34	Pisang	Inceptisol	2,44	55	45	60

