

DAFTAR PUSTAKA

- Baylis, A., 2017. Advances in precision farming technologies for crop protection. *Outlook Pest Man* 28 (4), 158–161.
- Berckmans, D., 2017. General introduction to precision livestock farming. *Animal Frontiers* 7 (1), 6–11.
- C.R. Balamurugan ; R. Satheesh. Fronteiras. Development of Raspberry pi and IoT Based Monitoring and Controlling Devices for Agriculture *Journal of Social, Technological and Environmental Science* v.6, n.2, may-august. 2017 .p. 207-215
- Dae-Hyun Jung , Hak-Jin Kim , Woo-Jae Cho, Soo Hyun Park , Seung-Hwan Yang, 2018. Validation testing of an ion-specific sensing and control system for precision hydroponic macronutrient management. *Computers and Electronics in Agriculture*
- Dal Bo Zanon, B., et al., 2017. Potential of floating production for delta and coastal cities. *J. Clean. Prod.* 151, 10e20, 2017.
- Dinas Tata Ruang dan Bangunan Kota Makassar. Rencana Pembangunan Jangka Menengah Daerah Kota Makassar Tahun 2014 – 2019. Makassar: Dinas Tata Ruang dan Bangunan Kota Makassar, 2018.
- EEA, 2017. Air quality in Europe e 2017 report. <https://doi.org/10.2800/850018>.
- Ercilla-Montserrat, M., et al., 2018. A study on air quality and heavy metals content of urban food produced in a Mediterranean city (Barcelona). *J. Clean. Prod.* 195, 385e395, 2018. <https://doi.org/10.1016/j.jclepro.2018.05.183>.
- Føre, M., Frank, K., Norton, T., Svendsen, E., Alfredsen, J.A., Dempster, T., Eguiraun, H., Watson, W., Stahl, A., Sunde, L.M., Schellewald, C., Skøien, K.R., Alver, M.O., Berckmans, D., 2018. Precision fish farming: a new framework to improve production in aquaculture. *Biosyst. Eng.* 173, 176–193.
- Foughali, K., Fathallah, K., Frihida, A., 2018. ScienceDirect using cloud IOT for disease prevention in precision agriculture using cloud IOT for disease prevention in precision agriculture. *Procedia Comput. Sci.* 130, 575–582. <https://doi.org/10.1016/j.procs.2018.04.106>.
- Global Panel, 2016. Food systems and diets: Food systems and diets: Facing the challenges of the 21st century. <https://glopan.org/sites/default/files/ForesightReport.pdf>.
- Gosavi, J.V., 2017. Water monitoring system for hydroponics agriculture, vol. 5,

no. Vii.

- Guan, S., Fukami, K., Matsunaka, H., Okami, M., Tanaka, R., Nakano, H., Sakai, T., Nakano, K., Ohdan, H., Takahashi, K., 2019. Assessing correlation of high-resolution NDVI with fertilizer application level and yield of rice and wheat crops using small UAVs. *Remote Sens.* 11 (2), 112.
- Guo, W., 2018. Spatial and temporal trends of irrigated cotton yield in the Southern High Plains. *Agronomy* 8 (12), 298
- Henry, E., Adamchuk, V., Stanhope, T., Buddle, C., Rindlaub, N., 2019. Precision apiculture: development of a wireless sensor network for honeybee hives. *Comput. Electron. Agric.* 156, 138–144.
- Jung, D.-H., Kim, H.-J., Cho, W.-J., Park, S. H., & Yang, S.-H. (2019). Validation testing of an ion-specific sensing and control system for precision hydroponic macronutrient management. *Computers and Electronics in Agriculture*, 156, 660–668. doi:10.1016/j.compag.2018.12.025
- KUSWINTA, Adlan Jiwa, et al. Implementasi IoT cerdas berbasis inference fuzzy Tsukamoto pada pemantauan kadar pH dan ketinggian air dalam akuaponik. *Journal of Computer Science and Informatics Engineering (J- Cosine)*, 2019, 3.1: 65-74. Doi: <https://doi.org/10.29303/jcosine.v3i1.245>
- Kim, H.-J., Kim, D.-W., Kim, W. K., Cho, W.-J., & Kang, C. I. (2017). *PVCmembrane-based portable ion analyzer for hydroponic and water monitoring. Computers and Electronics in Agriculture*, 140, 374–385. doi:10.1016/j.compag.2017.06.015
- KLIR, George; YUAN, Bo. *Fuzzy sets and fuzzy logic*. New Jersey: Prentice-Hall, 1995.
- Liao, M., Chen, S., Chou, C., Chen, H., Yeh, S., Chang, Y., Jiang, J., 2017. On precisely relating the growth of *Phalaenopsis* leaves to greenhouse environmental factors by using an IoT-based monitoring system. *Comput. Electron. Agric.* 136, 125–139. <https://doi.org/10.1016/j.compag.2017.03.003>
- López, J.A., Garcia-Sanchez, A.-J., Soto, F., Iborra, A., Garcia-Sanchez, F., Garcia-Haro, J., 2011. Design and validation of a wireless sensor network architecture for precision horticulture applications. *Precision Agric* 12 (2), 280–295.
- M.J. O'Grady , D. Langton , G.M.P. O'Hare.2019. Edge computing: A tractable model for smart agriculture?. *Artificial Intelligence in Agriculture* 3
- Mehra, M., Saxena, S., Sankaranarayanan, S., Tom, R.J., Veeramanikandan, M., 2018. IoT based hydroponics system using deep neural networks. *Comput.*

Electron.Agric. 155 (November), 473–486.
<https://doi.org/10.1016/j.compag.2018.10.015>.

Muangprathub, J., Boonnam, N., Kajornkasirat, S., Lekbangpong, N., Wanichsombat, A., Nillaor, P., 2019. IoT and agriculture data analysis for smart farm. *Comput. Electron. Agric.* 156, 467–474.
<https://doi.org/10.1016/j.compag.2018.12.011>.

Montgomery, D. C, Johnson L.A, Gardiner, JS. 1990. *Forecasting and Time Series Analysis*, McGraw-Hill, Inc, ISBN 0-07-042858-1

Patil, Tina R. MSSS Performance analysis of naive bayes and J48 classification algorithm for data classification. *Intl. Journal of Computer Science and Applications*, 2013.

Peters, B.G., Pierre, J., 2014. Food policy as a wicked problem: contending with multiple demands and actors. *World Food Policy* 1 (1), 4–11.

Pitak phongmetha, J., Boonnam, N., Wongkoon, S., Horanont, T., Somkiadcharoen, D., Prapakornpilai, J., 2016. Internet of things for planting in smart farm hydroponics style. In: 20th Int. Comput. Sci. Eng. Conf. Smart Ubiquitous Comput. Knowledge, ICSEC 2016.

Render, B., Heizer J., 2006. *Manajemen Operasi 7th Edition*. Salemba Empat, Jakarta.

Reyes, J., Montoya, R., Ledesma, C. & Ramírez, R., 2012. Development of an Aeroponic System for Vegetable Production, Meksiko: ISHS Acta Horticulturae 947.

Rodríguez, S., Gualotuña, T., Grilo, C., 2017. Sciencedirect a system for the monitoring and predicting of data in precision a agriculture system for the and predicting of wireless data in precision in a monitoring rose greenhouse based on sensor agriculture in a rose greenhouse based on wireless sensor networks networks. *Procedia Comput. Sci.* 121, 306–313.
<https://doi.org/10.1016/j.procs.2017.11.042>.

Rosliani, Rini; SUMARNI, Nani. *Budidaya tanaman sayuran dengan sistem hidroponik*. 2005.

Santesteban, L.G., 2019. Precision viticulture and advanced analytics. A short review. *Food Chemistry* 279, 58–62.

Sanye-Mengual, E., Oliver-Sol a, J., Montero, J.I., et al., 2015. *International Journal of Life Cycle Assessment*, vol 20, p. 350.
<https://doi.org/10.1007/s11367-014-0836-9>.

Sutanto, Teguh. *Rahasia Sukses Budidaya Tanaman dengan Metode Hidroponik*. Bibit Publisher, 2015.

- Soelaeman, I., 2011. Analisis Runtun Waktu. Universitas Terbuka, Tangerang.
- Tamirat, T.W., Pedersen, S.M., Lind, K.M., 2018. Farm and operator characteristics affecting adoption of precision agriculture in Denmark and Germany. *Acta Agriculturae Scandinavica, Section B — soil. Plant Sci.* 68 (4), 349–357.
- Thompson, N., Bir, C., Widmar, D.A., Mintert, J.R., 2018. Farmer perceptions of precision agriculture technology benefits. *J. Agric. Appl. Econ.* 40, 1–22.
- Trendov, N.M., Varas, S., Zeng, M., 2019. Digital technologies in agriculture and rural areas - Briefing paper. <http://www.fao.org/3/ca4887en/ca4887en.pdf>.
- Tripathy, A.K., Adinarayana, J., Vijayalakshmi, K., Merchant, S.N., Desai, U.B., Ninomiya, S., Kiura, T., 2014. Knowledge discovery and leaf spot dynamics of groundnut crop through wireless sensor network and data mining techniques. *Comput. Electron. Agric.* 107, 104–114. <https://doi.org/10.1016/j.compag.2014.05.009>.
- Wang, M., Dong, C., & Gao, W., 2019. Evaluation of the growth, photosynthetic characteristics, antioxidant capacity, biomass yield and quality of tomato using aeroponics, hydroponics and porous tube-vermiculite systems in bio-regenerative life support systems. *Life Sciences in Space Research*. doi:10.1016/j.lssr.2019.07.008
- WEF (World Economic Forum), 2018. Innovation with a purpose: the role of technology innovation in accelerating food systems transformation. http://www3.weforum.org/docs/WEF_Innovation_with_a_Purpose_VF-reduced.pdf.
- Zhao, J., Zhang, J., Feng, Y., Guo, J., 2010. The study and application of the IOT technology in agriculture. In: 2010 3rd International Conference on Computer Science and Information Technology, pp. 462–465. <https://doi.org/10.1109/ICCSIT.2010.5565120>

LAMPIRAN

The screenshot shows the IEEE Xplore website interface. At the top, there is a navigation bar with links for IEEE.org, IEEE Xplore, IEEE SA, IEEE Spectrum, and More Sites. On the right side of the navigation bar, there are links for SUBSCRIBE, Cart, Create Account, and Personal Sign In. Below the navigation bar, there is a search bar with a dropdown menu set to 'All' and a search button. The main content area features a banner for the IEEE International Conference on Computational Intelligence and Cybernetics (CyberneticsCom) with a background image of a network. Below the banner, there are tabs for Proceedings, All Proceedings (selected), and Popular. The 'All Proceedings' section lists the 2019 IEEE International Conference on Cybernetics and Computational Intelligence (CyberneticsCom) with its location in Banda Aceh, Indonesia. There are also quick links for searching for upcoming conferences and a cookie consent banner at the bottom.

The screenshot shows the Scopus Preview website interface. At the top, there is a navigation bar with links for Author Search, Sources, and a search icon. On the right side of the navigation bar, there are links for Create account and Sign in. The main content area features a section for 'Source details' for IEEE Access. The source is listed as 'IEEE Access' with 'Open Access' status. The Scopus coverage years are from 2013 to Present. The publisher is IEEE and the ISSN is 2169-3536. The subject area is listed as Engineering: General Engineering, Computer Science: General Computer Science, Engineering: Electrical and Electronic Engineering, and Materials Science: General Materials Science. The source type is Journal. On the right side, there are three metrics: CiteScore 2021 (6.7), SJR 2021 (0.927), and SNIP 2021 (1.326). At the bottom, there are links for View all documents, Set document alert, Save to source list, and Source Homepage.



THE IEEE CYBERNETICSCOM 2022
2022 IEEE International Conference on Cybernetics and Computational Intelligence

Certificate for PRESENTER

This certificate is awarded to : Riswandi; Muhammad Niswar; Zulkifli Tahir;
Yung-Wey Chong

Paper title : Design and Implementation of IoT-Based Aeroponic
Farming System

For Her/His speech as presenter in the 2022 IEEE International Conference on Cybernetics and Computational
Intelligence, June 16-18 2022 held in Malang, Indonesia

Organized by:


IEEE INDONESIA SECTION

IEEE SMC
The International Society of Intelligent and Informatics Engineers

Institut Teknologi Telkom
Pararangkuta

Co-Host:

General Chair
Conference Committee IEEE 2022


Dr. Arfianto Fahmi, M.T.

Design and Implementation of IoT-Based Aeroponic Farming System

1st Riswandi
Department of Informatics, Faculty of
Engineering
Universitas Hasanuddin, Indonesia
riswandi19d@student.unhas.ac.id

2nd Muhammad Niswar
Department of Informatics, Faculty of
Engineering
Universitas Hasanuddin, Indonesia
niswar@unhas.ac.id

3rd Zulkifli Tahir
Department of Informatics, Faculty of
Engineering
Universitas Hasanuddin, Indonesia
zulkifli@unhas.ac.id

4th Zainal
Faculty of Agriculture
Universitas Hasanuddin, Indonesia
zainal@unhas.ac.id

5th Chong Yung Wey
National Advanced IPv6 Centre,
Universiti Sains, Malaysia
chong@usm.my

Abstract— Urban farming becomes popular and enhances

food security in urban areas. Aeroponic is one of the urban farming methods where plant roots are suspended in the air and are supplied with nutrients by mist spraying. This paper describes an IoT system for monitoring and controlling evapotranspiration in an aeroponic environment. The system consists of a microcontroller, single-board computer, sensors, and actuators. The sensors in the system collect the data on plant environment parameters including air temperature, humidity, total dissolved solids (TDS), pH, and water temperature. Then, the system calculates the level of evapotranspiration using the Blaney-Criddle method to determine the appropriate actuator action to reduce the level of evapotranspiration in aeroponic using a fuzzy algorithm. The experimental result shows that our IoT system can reduce evapotranspiration, hence, it can improve the plant quality.

Keywords—Aeroponics, Microcontroller, Arduino Uno, Raspberry Pi, Sensors, Evapotranspiration, Fuzzy, Blaney-Criddle

I. INTRODUCTION

Building food security is a global challenge today. One of the sustainable development goals (SDG) of the United Nations Agenda in 2030 is to achieve Zero Hunger, which aims to achieve food security, improve nutrition and promote sustainable agriculture.

The most common urban farming method is hydroponic. Hydroponic is soilless plant cultivation systems used throughout the world to grow flowers, foliage, bedding, and vegetable crops. Plants are grown using nutrient solutions with or without a solid substrate for root growth.[1]. Certain plants with tubers at the root, such as potato plants, can optimally interfere with the aeroponic system. This method is considered the best system in hydroponic plant media systems.

The aeroponic method is considered the best system in the hydroponic growing media system, this is because placing plants with hanging roots makes plant roots get an abundant intake of oxygen in the free air, by spraying nutrients directly into plant roots making plant roots more sensitive to the nutrients that are sprayed.

The growth of plant roots will be clean, and the source of nutrients obtained by the roots will also be kept clean of bacteria and fungi using an aeroponic system. Even with this

system, the content in plants cultivated on aeroponic media will be free from ingredients that can hurt the consumer's body, such as excessive levels of zinc and other ingredients that are often soluble in water in excessive amounts.

The obstacle faced in the concept of aeroponics is the high rate of evapotranspiration. Evapotranspiration is basically a combination of the process of losing water from land to the atmosphere through two processes, namely evaporation, and transpiration. Evaporation is the process where water is converted into water vapor and then the water vapor is transferred from the land surface through the evaporation process to the atmosphere, while transpiration is the evaporation of water from plants, as a result of the photosynthesis process that produces oxygen and water vapor.

Each plant has a different level of adaptation to temperature and humidity, this is due to the geographical distribution pattern of different plants with different climates, which results in differences in the level of evapotranspiration in plants. Inappropriate temperatures in certain plants result in high failure rates in crop yields.

As in the cultivation of mustard, If the temperature is below 16°C, the nutrient absorption process will be hampered, whereas if the temperature is above 30°C, the plant will be stressed quickly, The humidity level ranges from 80 to 90%. [2]. If the humidity is below 80%, the plants will quickly wither through the faster transpiration process. Meanwhile, suppose the humidity is above 90%. In that case, it causes a delayed evaporation process so that the plant roots experience a decrease in the absorption of nutrients in the water, which results in the rotting of the plant roots.

Maintaining plant root moisture is an important point in the aeroponic method to keep the root texture wet and can absorb nutrients optimally, optimal humidity or Relative Humidity (RH) in aeroponic media is very dependent on the spraying or condensation process on the plant roots. The level of humidity affects evapotranspiration, which is the suction power to lift water and nutrients from the roots to the plant stems

This study describes the design and implementation of IoT monitoring and maintains the evapotranspiration level at the normal level in aeroponic using a fuzzy algorithm

II. RELATED WORK

There are several studies about IoT implementation in agriculture Reference [3] designed and implemented an IoT system for controlling the pattern of the planting medium node so that it can perform real-time control of the chambers. Another study conducted by [4], proposed a system for controlling and monitoring the state of the growing media, including temperature, humidity, light intensity, water nutrient solution level, pH and EC values, concentration CO2, atomization time, and atomization interval and provides automated handling based on sensor values read. Reference [5] discusses the growth of arugula plants grown using the aeroponic method with the concept of automatic irrigation in performing automatic treatments on arugula plants. Reference [6] designed and implemented an internet of things control system where control is carried out through a dashboard display interface that aims to control the temperature and humidity in the aeroponics chamber. Reference [7] developed a control and monitoring system on aeroponic growing media with an automatic system of cooling fan actuators, nutrient pumps and grow lights.

III. EVAPOTRANSPIRATION PARAMETERS

The process known as evapotranspiration (ET) is of great importance in many disciplines, including irrigation system design, irrigation scheduling, and hydrologic and drainage studies. In a broad definition, evapotranspiration is a combined process of both evaporations from soil and plant surfaces and transpiration through plant canopies. In the evapotranspiration process, the water is transferred from the soil and plant surfaces into the atmosphere in the form of water vapor[8].

This study uses the Blaney-Criddle method to determine and calculate the evapotranspiration index. This method is quite simple to calculate evapotranspiration in various types of plants based on temperature, humidity, number of daylight hours, and empirical plant coefficients. The formula for calculating evapotranspiration is as follows:

$$E_{to} = c [p (0.46T+8)] \dots\dots\dots [9]$$

Where:

- E_{To} = reference evapotranspiration (mm/day)
- T = average temperature during the month of observation
- P = percentage of the equation of the average day/year
- c = correction factor which depends on RH min or humidity

A. Temperature

Temperature is an essential thing in the use of hydroponic growing media, especially in the use of aeroponic systems. This is because the temperature can affect the acceleration of evaporation of water sources in the growing media, resulting in a decrease in nutrient levels in water sources that will become a source of plants in aeroponic growing media.

B. Humidity

Air humidity also influences the evapotranspiration process, provided that the lower the air humidity, the higher the water vapor that may experience evapotranspiration.

C. Solar Radiation

In addition, climatological aspects also play a role in this process: sun radiation. As a light source that will heat the soil,

water, and plants, the sun will evaporate the water and produce the process of evaporation in areas of standing water and transpiration in plants. The heated water will turn into water vapor and rise in the atmosphere. This is known as evaporation on the earth's surface.

There are three parameters that affect the evapotranspiration process, namely temperature, humidity, and sunlight. Temperature is an essential parameter in plant growth in aeroponic because the temperature can accelerate the evaporation in aeroponic causing the loss of nutrients dissolved in the water. Humidity affects evaporation in aeroponic where the lower the humidity, the faster the evaporation, Sunlight can heat the soil, water, and plants so that evaporation occurs.

IV. SYSTEM DESIGN AND IMPLEMENTATION

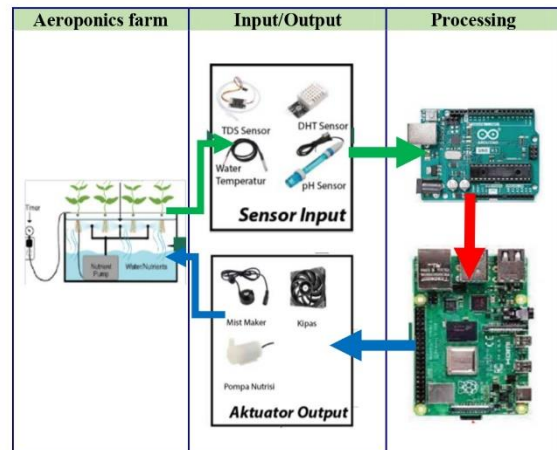


Figure 1. Hardware System.



Figure 2. Implementation of Design and System.

Table 1. Hardware Specification

Components	Specification
Mini Computer	Raspberry Pi 3+/RAM 2GB
Microcontroller	Arduino UNO ATmega328P
Sensors	pH, DHT22, TDS, DS18B20
Actuators	Mist Maker, Fan, Pump
Voltage	Input Voltage 5-7V

The system consists of sensors, Arduino, raspberry pi, and actuators as shown in Fig 1. There are 4 sensors used, namely TDS, DHT, Temperature, and pH sensors. All these sensors are mounted on aquaponic and connected to Arduino.

Arduino runs the Blaney-Criddle method to determine the rate of evapotranspiration. Raspberry pi is used to drive actuators such as fans, mist makers, and pumps based on the evaporation rate received from the Arduino.

The following is the pseudocode of Blaney-Criddle implemented in the Arduino:

Pseudocode of Blaney-Criddle:

```

1. float C=hum value, T= Temperature value;
2. int p=24 - sunlight lighting;
3. float tempX=0.46 * T;
4. float et= tempX +8;
5. float et1=p * et;
6. float Et0= c* et1;
    
```

We use fuzzy logic to control the actuator. The fuzzy system uses the concept of multi-variables collected in a set called fuzzy, which has real number intervals[10]. The evapotranspiration value is used as a benchmark as the middle value, which indicates the standard level of evapotranspiration and becomes a reference in determining the membership function parameter for potential evaporation (Et) in the fuzzy algorithm with the following pattern:

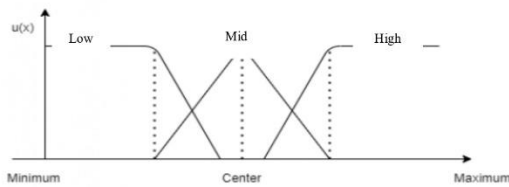


Figure 3. Membership Functions Evapotranspiration.

The following is the pseudocode of fuzzy implemented in the Raspberry Pi :

Pseudocode of Fuzzy:

```

1. float centerpoint,minValue,maxValue;
2. string status={"low", "normal", "high"}
3. if (ET< centerpoint) Than status"high"
4. else if (Et == centerpoint And < maxValue)
5. Than status "normal"
6. else (ET > centerpoint And (Et <= maxValue Or Et >
maxValue))
7. Than status"high"
    
```

The program flow that is implemented on aeroponic smart system devices:

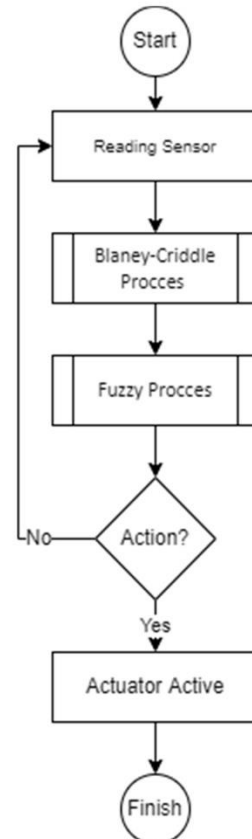


Figure 4. Flow Chart System.

V. RESULT

We compared the rate of evapotranspiration between the smart aeroponic that we designed with the conventional aeroponic. This study uses the average accumulated data of the sensor values every hour during the observation time.

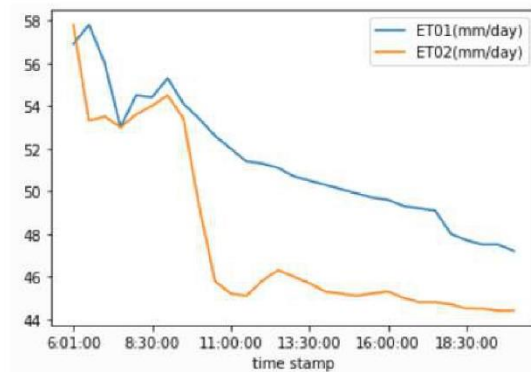


Figure 5. The Difference in Evapotranspiration Rate.

Figure 5 shows the comparison of aeroponic without IoT using a system or (ET01) and with an IoT system (ET02). We can see that evapotranspiration of ET01 and ET02 are 51.38 mm/day and 47.77 mm/day, respectively. The implemented fuzzy algorithm can significantly reduce the level of evapotranspiration in the aeroponic as shown in Fig 5.

Figure 6 shows the way the system maintains humidity using



Figure 6. The root section Using System Fogger.

A smart aeroponic system that uses a fogger system on the roots to maintain the moisture of the root. As a result, plant roots in the smart aeroponic system are more elongated and cleaner when compared to the conventional aeroponic as shown in Fig 7. with the figure as follows:



Figure 7. Different Plant Roots.

Figure 7 shows the visible differences in the growth of two plants grown using a smart aeroponics system and without plants grown without using hydroponics in general. clearly visible differences in the roots of plants, aeroponic media using condensation techniques more stimulate the growth of plant roots. Plant roots also look cleaner, this is because the roots in the aeroponic media are not exposed to water directly, thereby reducing the growth rate of moss on the plant roots

VI. DISCUSSION

This study discusses general aspects of aeroponic evapotranspiration growing media and provides an overview of systems with automation concepts using fuzzy algorithms. The next research will focus on discussing the application of several algorithms in providing aeroponic media handling and designing systems that are integrated with the forecasting concept by monitoring the level of influence of evapotranspiration on aeroponic media.

With the method of forecasting the level of evapotranspiration on aeroponic media, it is expected to be able to maintain the level of evapotranspiration by providing proper handling for aeroponic media. so that the formation of

a smart aeroponic farming method will improve the quality of plants.

VII. CONCLUSION

This study designs and implements an IoT-based aeroponic farming system. The system consists of sensors, Arduino, Raspberry pi, and actuators. The system uses 4 (four) sensors, namely TDS, DHT, Temperature, and pH sensors. All these sensors are mounted on aquaponic and connected to Arduino. Arduino runs the Blaney-Criddle method to determine the rate of evapotranspiration.

Raspberry pi is used to drive actuators such as fans, mist makers, and pumps based on the evaporation rate received from the Arduino. The experiment result shows that evapotranspiration of aeroponic without an IoT system and with an IoT system is 51.38 mm/day and 47.77 mm/day, respectively. The implemented fuzzy algorithm can significantly reduce the level of evapotranspiration

This study used the Blaney-Criddle method to calculate the evapotranspiration value on aeroponic growing media, and the average yield obtained from the evapotranspiration value was 47.77 mm/day. This value is lower when compared to aeroponic growing media without using a system with an evapotranspiration rate of 51.35 mm/day

Therefore, it can be concluded that an IoT-based aeroponic system using fuzzy logic can reduce the level of evapotranspiration and provide a significant increase in root moisture.

REFERENCES

- [1] SONG, Weitang, et al. Tomato Fusarium wilt and its chemical control strategies in a hydroponic system. *Crop protection*, 2004, 23.3: 243-247.
- [2] SUTANTO, Teguh. *Rahasia Sukses Budidaya Tanaman dengan Metode Hidroponik*. Bibit Publisher, 2015. K. Elissa, "Title of paper if known," unpublished.
- [3] BELISTA, Francis Carl L., et al. A smart aeroponic tailored for IoT vertical agriculture using network connected modular environmental chambers. In: 2018 IEEE 10th International Conference on Humanoid, Nanotechnology, Information Technology, Communication, and Control, Environment and Management (HNICEM). IEEE, 2018. p. 1-4.
- [4] LAKHIAR, Imran Ali, et al. Monitoring and control systems in agriculture using intelligent sensor techniques: A review of the aeroponic system. *Journal of Sensors*, 2018, 2018.
- [5] SALAZAR, Jhon D. Ríos; CANDELO-BECERRA, John E.; VELASCO, Fredy E. Hoyos. Growing arugula plants using aeroponic culture with an automated irrigation system. *International Journal of Agricultural and Biological Engineering*, 2020, 13.3: 52-56.
- [6] JAMHARI, Charisma Aulia, et al. Design and Implementation of IoT System for Aeroponic Chamber Temperature Monitoring. In: 2020 Third International Conference on Vocational Education and Electrical Engineering (ICVEE). IEEE, 2020. p. 1-4.
- [7] RAHMAD, Iwan Fitrianto, et al. Automatic Monitoring, and Control System in Aeroponic Plant Agriculture. In: 2020 8th International Conference on Cyber and IT Service Management (CITSM). IEEE, 2020. p. 1-5.
- [8] IRMAK, Suat; HAMAN, Dorota Z. Evapotranspiration: potential or reference. *IFAS Extension, ABE*, 2003, 343: 1-3.
- [9] BLANEY, Harry French; CRIDDLE, Wayne D. Determining consumptive use and irrigation water requirements. *US Department of Agriculture*, 1962.
- [10] KLIR, George; YUAN, Bo. *Fuzzy sets and fuzzy logic*. New Jersey: Prentice-Hall, 1995



SURAT KEPUTUSAN
DEKAN FAKULTAS TEKNIK UNIVERSITAS HASANUDDIN
NOMOR : 16711/JUN.4.7.1/TKD. 06/2021
TENTANG
PENGANGKATAN KOMISI PENASEHAT TESIS BAGI MAHASISWA PROGRAM MAGISTER
TEKNIK INFORMATIKA DEPARTEMEN INFORMATIKA FAKULTAS TEKNIK
UNIVERSITAS HASANUDDIN

DEKAN FAKULTAS TEKNIK UNIVERSITAS HASANUDDIN

- Membaca** : Surat usulan Ketua Program Studi SI Teknik Informatika Nomor. 10053 tanggal 16 September 2021 perihal Usulan Komisi Penasehat dan Rencana Judul Tesis bagi Sdr. Riwandi
- Merimbang** : a. Bahwa dalam rangka pelaksanaan bimbingan Tesis bagi Sdr. Riwandi Nomor Pokok 0082182005 mahasiswa Program Magister Informatika Departemen Teknik Informatika Fakultas Teknik Universitas Hasanuddin, dipandang perlu mengangkat Komisi Penasehat Tesis;
b. bahwa untuk keperluan huruf (a) di atas, maka dipandang perlu menerbitkan Surat Keputusan,
- Mengingat** : 1. Keputusan Rektor UNHAS No. 7343/04/P/2001
2. Keputusan Rektor UNHAS No. 1067/04/P/2003
3. Keputusan Rektor UNHAS No. 8246/H/P/2007

MEMUTUSKAN

- Menetapkan** : KEPUTUSAN DEKAN FAKULTAS TEKNIK UNIVERSITAS HASANUDDIN TENTANG PENGANGKATAN KOMISI PENASEHAT TESIS BAGI MAHASISWA PROGRAM MAGISTER TEKNIK INFORMATIKA DEPARTEMEN TEKNIK INFORMATIKA FAKULTAS TEKNIK UNIVERSITAS HASANUDDIN. A.N : Riwandi NOMOR POKOK 0082182005
- PERTAMA** : Mengangkat Komisi Penasehat Tesis bagi Sdr. Riwandi Nomor Pokok 0082182005 mahasiswa Program Magister Teknik Informatika Departemen Teknik Informatika Fakultas Teknik Universitas Hasanuddin
Judul : "Sewati aeroponik farming menggunakan fuzzy logic dan machine learning untuk penanganan evapotranspirasi pada media tanam aeroponik"
Dengan susunan sebagai berikut :
1. Penasehat Utama : Dr. Eng. Muhammad Niswat, ST., M.IT. (Paralel 1)
2. Penasehat Anggota : Dr. Eng. Zukhrif Tahir, ST., M.Sc. (Paralel 2)
- KEDUA** : Belanja Vokasi honorarium sebagaimana dimaksud pada dikurs pertama, dibebankan pada Dana DPA PTMBH UNHAS Tahun 2021 (BPPS, dan DIKT1) Alokasi Fakultas Teknik.
- KETIGA** : Surat Keputusan ini berlaku terhitung mulai tanggal ditetapkan sampai dengan selesainya masa studi yang bersangkutan, dengan ketentuan apabila dikemudian hari ternyata terdapat kesalahan atau kekeliruan didalamnya, akan diadakan perbaikan sebagaimana mestinya.

Ditetapkan di Makassar,
Pada tanggal 16 September 2021
s.n. Dekan,
Wakil Dekan Bidang Akademik Riset dan Inovasi

Prof. Dr. Baharuddin Hamzah, ST., M.Arch, Ph.D
Np. 19990306 199512 1 001

Tembusan Yth :

1. Dekan FT-IT
2. Wakil Dekan I FT-IT
3. Ketua Program Studi SI Teknik Informatika
4. Sdr. Riwandi
5. Arsip





CURRYCULUM VITAE

Nama Lengkap : Riswandi
Nomor Pokok : D082192005
Jenis Kelamin : laki laki
Tempat/ Tanggal Lahir : Simpang empat, 13 oktober 1996
Agama : Islam
Email : W.ris1221@gmail.com
No. Tlpn/ WA : 083141642227
Suku / Bangsa : Bugis
Alamat : Komp. Danau alam pendidikan No.G1
Progam Studi : S2 Teknik informatika
Tanggal Lulus : 10 november 2022
Judul Tesis : "SMART AEROPONIC FARMING MENGGUNAKAN FUZZY LOGIC DAN MACHINE LEARNING UNTUK PENANGANAN EVAPOTRANSPIRASI PADA MEDIA TANAM AEROPONIK"

DATA PENDUKUNG

Asal perguruan Tinggi (S1) : Universitas Islam Negeri Alauddin Makassar
Program Studi S1 : Teknik Informatika
Pembimbing I : Dr. Eng. Muhammad Niswar, ST., M.IT.
Pembimbing II : Dr. Eng. Zulkifli Tahir, ST., M.Sc.

