

## Daftar Pustaka

- [1] C. Zou, Q. Zhao, G. Zhang, and B. Xiong, "Energy revolution: From a fossil energy era to a new energy era," *Natural Gas Industry B*, vol. 3, no. 1, pp. 1–11, 2016.
- [2] M. Balat, "Status of fossil energy resources: A global perspective," *Energy Sources, Part B: Economics, Planning, and Policy*, vol. 2, no. 1, pp. 31–47, 2007.
- [3] I. Hanif, S. M. F. Raza, P. Gago-de-Santos, and Q. Abbas, "Fossil fuels, foreign direct investment, and economic growth have triggered CO<sub>2</sub> emissions in emerging Asian economies: some empirical evidence," *Energy*, vol. 171, pp. 493–501, 2019.
- [4] K. Kaygusuz, "Energy for sustainable development: A case of developing countries," *Renewable and Sustainable Energy Reviews*, vol. 16, no. 2, pp. 1116–1126, 2012.
- [5] U. Nyambuu and W. Semmler, "Trends in the extraction of non-renewable resources: The case of fossil energy," *Economic Modelling*, vol. 37, pp. 271–279, 2014.
- [6] R. Avtar, S. Tripathi, A. K. Aggarwal, and P. Kumar, "Population–Urbanization–Energy Nexus: A Review," *Resources*, vol. 8, no. 3, p. 136, 2019.

- [7] R. Waheed, S. Sarwar, and C. Wei, "The survey of economic growth, energy consumption and carbon emission," *Energy Reports*, vol. 5, pp. 1103–1115, 2019.
- [8] T. Güney, "Renewable energy, non-renewable energy and sustainable development," *International Journal of Sustainable Development & World Ecology*, vol. 26, no. 5, pp. 389–397, 2019.
- [9] O. Ellabban, H. Abu-Rub, and F. Blaabjerg, "Renewable energy resources: Current status, future prospects and their enabling technology," *Renewable and Sustainable Energy Reviews*, vol. 39, pp. 748–764, 2014.
- [10] A. Ribal, A. V. Babanin, S. Zieger, and Q. Liu, "A high-resolution wave energy resource assessment of Indonesia," *Renewable Energy*, vol. 160, pp. 1349–1363, 2020.
- [11] E. Luhur, R. Muhartono, and S. Suryawati, "Financial Analysis of Developing Ocean Energy In Indonesia," *J. Sosek Kp*, vol. 8, pp. 25–37, 2013.
- [12] B. Triasdian, Y. S. Indartono, and N. S. Ningsih, "Energy capture potential of existing wave energy converters for Indonesian sea," in *AIP Conference Proceedings*, 2018, vol. 1984, no. 1, p. 030002.
- [13] D. N. Sugianto *et al.*, "Wave Energy Reviews in Indonesia," *International Journal of Mechanical Engineering and Technology (IJMET)*, vol. 8, no. 10, pp. 448–459, 2017.

- [14] I. López, J. Andreu, S. Ceballos, I. M. De Alegría, and I. Kortabarria, "Review of wave energy technologies and the necessary power-equipment," *Renewable and sustainable energy reviews*, vol. 27, pp. 413–434, 2013.
- [15] G. Bevilacqua and B. Zanuttigh, "Overtopping Wave Energy Converters: general aspects and stage of development," 2011.
- [16] H. Titah-Benbouzid and M. Benbouzid, "An up-to-date technologies review and evaluation of wave energy converters," 2015.
- [17] M. A. Chatzigiannakou, L. Ulvg\gaard, I. Temiz, and M. Leijon, "Offshore deployments of wave energy converters by Uppsala University, Sweden," *Marine Systems & Ocean Technology*, vol. 14, no. 2–3, pp. 67–74, 2019.
- [18] R. Haraguchi and T. Asai, "Enhanced power absorption of a point absorber wave energy converter using a tuned inertial mass," *Energy*, p. 117740, 2020.
- [19] J. Yu *et al.*, "Design and Performance Assessment of Multi-Use Offshore Tension Leg Platform Equipped with an Embedded Wave Energy Converter System," *Energies*, vol. 13, no. 15, p. 3991, 2020.
- [20] A. Poullikkas, "Technology prospects of wave power systems," *Electronic Journal of Energy & Environment*, vol. 2, no. 1, pp. 47–69, 2014.

- [21] Y. Ma, A. Zhang, L. Yang, H. Li, Z. Zhai, and H. Zhou, "Motion simulation and performance analysis of two-body floating point absorber wave energy converter," *Renewable Energy*, 2020.
- [22] R. H. Hansen, M. M. Kramer, and E. Vidal, "Discrete displacement hydraulic power take-off system for the wavestar wave energy converter," *Energies*, vol. 6, no. 8, pp. 4001–4044, 2013.
- [23] J. L. Sawin, F. Sverrisson, and W. Rickerson, "Renewables 2014 global status report," *Renewable Energy Policy Network for the*, vol. 21, 2014.
- [24] D. Magagna and A. Uihlein, "Ocean energy development in Europe: Current status and future perspectives," *International Journal of Marine Energy*, vol. 11, pp. 84–104, 2015.
- [25] S. Zou, O. Abdelkhalik, R. Robinett, G. Bacelli, and D. Wilson, "Optimal control of wave energy converters," *Renewable energy*, vol. 103, pp. 217–225, 2017.
- [26] M. B. Topper *et al.*, "Reducing variability in the cost of energy of ocean energy arrays," *Renewable and Sustainable Energy Reviews*, vol. 112, pp. 263–279, 2019.
- [27] T. Aderinto and H. Li, "Ocean wave energy converters: Status and challenges," *Energies*, vol. 11, no. 5, p. 1250, 2018.
- [28] S. R. Utami, "Studi Potensi Pembangkit Listrik Tenaga Gelombang Laut dengan Menggunakan Sistem Oscilating Water Column (OWC) di tiga puluh Wilayah Kelautan Indonesia," *Departemen Teknik*

*Elektro Fakultas Teknik Universitas Indonesia, sitikus\_ayang@yahoo.com*, 2010.

- [29] N. Khan, A. Kalair, N. Abas, and A. Haider, "Review of ocean tidal, wave and thermal energy technologies," *Renewable and Sustainable Energy Reviews*, vol. 72, pp. 590–604, 2017.
- [30] M. Chen, "Hydrodynamic analysis and optimization of a hinged-type wave energy converter-SeaWEED," PhD Thesis, Memorial University of Newfoundland, 2020.
- [31] A. Toffoli and E. M. Bitner-Gregersen, "Types of ocean surface waves, wave classification," *Encyclopedia of Maritime and Offshore Engineering*, pp. 1–8, 2017.
- [32] J. Journée and W. Massie, "Offshore hydromechanics," 2001.
- [33] S. S. Rao, *Mechanical vibrations fifth edition in SI units*. PEARSON, USA, 2012.
- [34] S. G. Kelly, *Mechanical vibrations: theory and applications*. Cengage learning Stamford, CT, 2012.
- [35] T. E. Reilly, O. L. Franke, and G. D. Bennett, *The principle of superposition and its application in ground-water hydraulics*. Department of the Interior, US Geological Survey, 1987.
- [36] G. Ramachandran, A. Robertson, J. Jonkman, and M. D. Masciola, "Investigation of response amplitude operators for floating offshore wind turbines," National Renewable Energy Lab.(NREL), Golden, CO (United States), 2013.

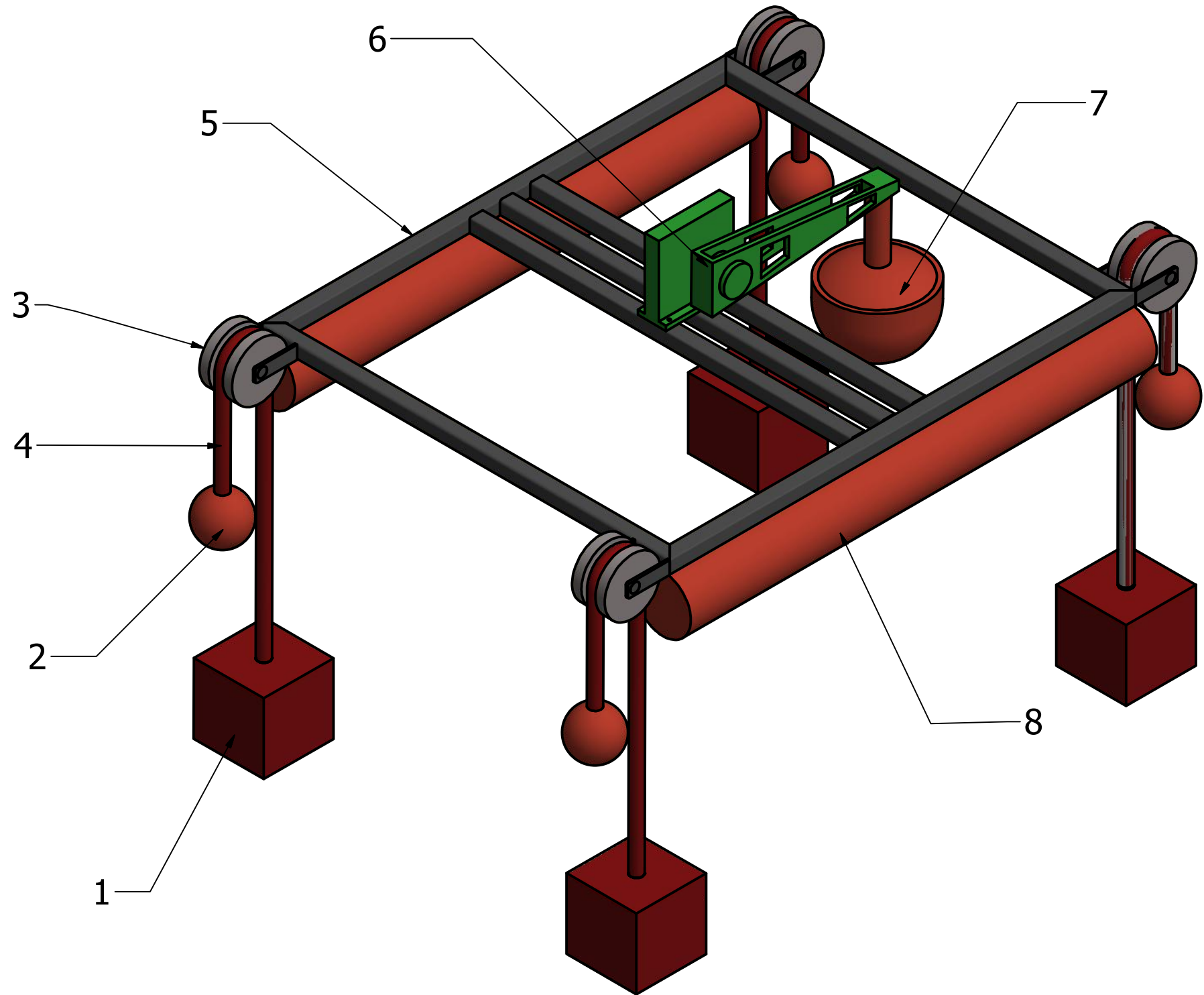
- [37] M. T. Ruiz, "Dynamics and hydrodynamics for floating wave energy converters," *Lisbon, Portugal, Instituto Superior Técnico*, 2010.
- [38] T. Soukissian, N. Gizari, and M. Chatzinaki, "Wave potential of the Greek seas," *WIT Transactions on Ecology and the Environment*, vol. 143, pp. 203–213, 2011.
- [39] J. Journée and W. Massie, "Offshore hydromechanics," 2001.
- [40] M. T. Ruiz, "Dynamics and hydrodynamics for floating wave energy converters," *Lisbon, Portugal, Instituto Superior Técnico*, 2010.
- [41] J. Van Der Jagt, "A methodology for assessing power performance of Wave Energy Converters, applied to a quasi-rigid submerged pressure differential device," 2018.
- [42] T. Soukissian, N. Gizari, and M. Chatzinaki, "Wave potential of the Greek seas," *WIT Transactions on Ecology and the Environment*, vol. 143, pp. 203–213, 2011.
- [43] T. A. Adcock, P. H. Taylor, and S. Draper, "Nonlinear dynamics of wave-groups in random seas: unexpected walls of water in the open ocean," *Proceedings of the Royal Society A: Mathematical, Physical and Engineering Sciences*, vol. 471, no. 2184, p. 20150660, 2015.
- [44] A. Poullikkas, "Technology prospects of wave power systems," *Electronic Journal of Energy & Environment*, vol. 2, no. 1, pp. 47–69, 2014.
- [45] T. Aderinto and H. Li, "Review on power performance and efficiency of wave energy converters," *Energies*, vol. 12, no. 22, p. 4329, 2019.

- [46] T. E. Reilly, O. L. Franke, and G. D. Bennett, *The principle of superposition and its application in ground-water hydraulics*. Department of the Interior, US Geological Survey, 1987.
- [47] O. Kayode, O. A. Koya, and T. O. Ajewole, "Determination of the Optimal Buoy Shape for A Concept Wave Energy Converter to Harness Low Amplitude Sea Waves using Numerical Simulation."
- [48] A. Ruezga and others, "Buoy Analysis in a Point-Absorber Wave Energy Converter," *IEEE Journal of Oceanic Engineering*, vol. 45, no. 2, pp. 472–479, 2019.
- [49] L. Grüter, "Experimental and Numerical Analysis of a Wave Energy Conversion Buoy," PhD Thesis, Universidad Austral de Chile, 2016.
- [50] M. Nazari, H. Ghassemi, M. Ghiasi, and M. Sayehbani, "Design of the point absorber wave energy converter for Assaluyeh Port," *Iranica Journal of Energy & Environment*, vol. 4, no. 2, pp. 130–135, 2013.
- [51] N. Khan, A. Kalair, N. Abas, and A. Haider, "Review of ocean tidal, wave and thermal energy technologies," *Renewable and Sustainable Energy Reviews*, vol. 72, pp. 590–604, 2017.
- [52] H. Gao and B. Li, "Establishment of motion model for wave capture buoy and research on hydrodynamic performance of floating-type wave energy converter," *Polish Maritime Research*, vol. 22, no. s1, pp. 106–111, 2015.
- [53] T. Aderinto and H. Li, "Review on power performance and efficiency of wave energy converters," *Energies*, vol. 12, no. 22, p. 4329, 2019.


## LAMPIRAN DISERTASI



Lampiran A : Gambar 3 Dimensi Penyerap Energi Pelampung Bentuk Peluru dengan Rumah Terapung Redaman-Beban pada Konverter Energi Gelombang

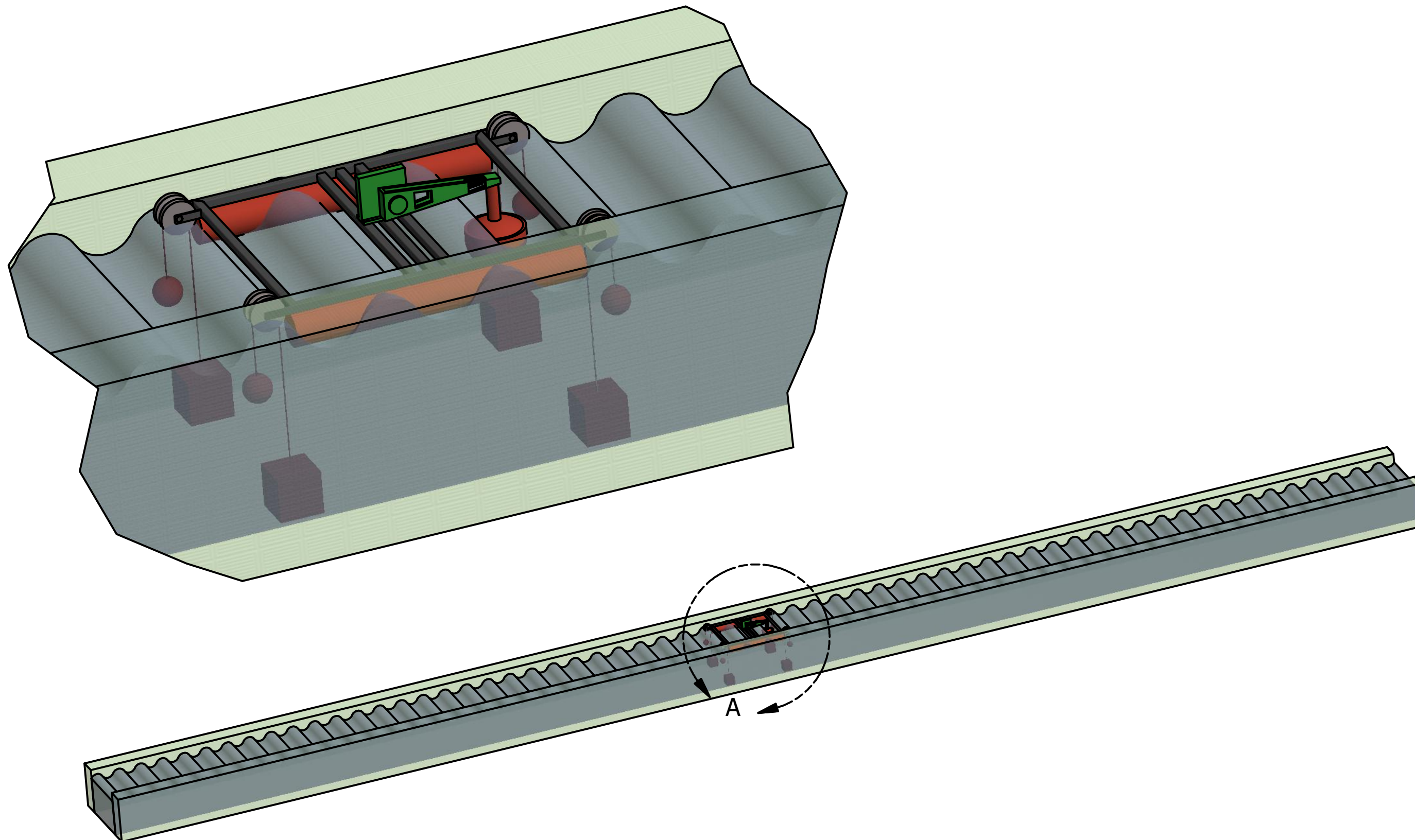


NO.	Nama Komponen	Jumlah (Buah)
1	Cor Beton	4
2	Massa Inersia	4
3	Puli	4
4	Tali Tambatan	4
5	Konstruksi	1
6	Lengan Pelampung Point Absorber	1
7	Pelampung Point Absorber	1
8	Pelampung Struktur	2

	DIGAMBAR : JUFRI		WAVE ENERGY CONVERTER TEREDAM MASSA-INERSIA
	UKURAN : mm	DIPERIKSA : DAENG PAROKA	
Material :	Total Mass :	TANGGAL : 07-11-2020	DILIHAT : JALALUDDIN
LAB. CNC/DESIGN POLITEKNIK ATI MAKASSAR		Title :	A3

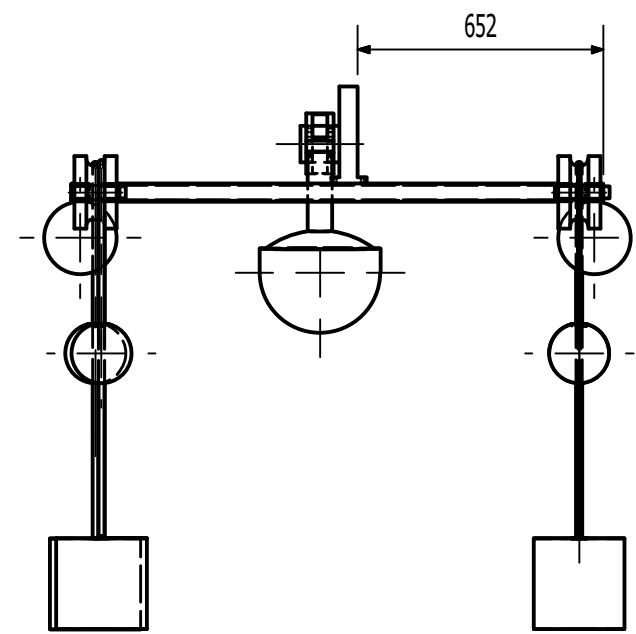
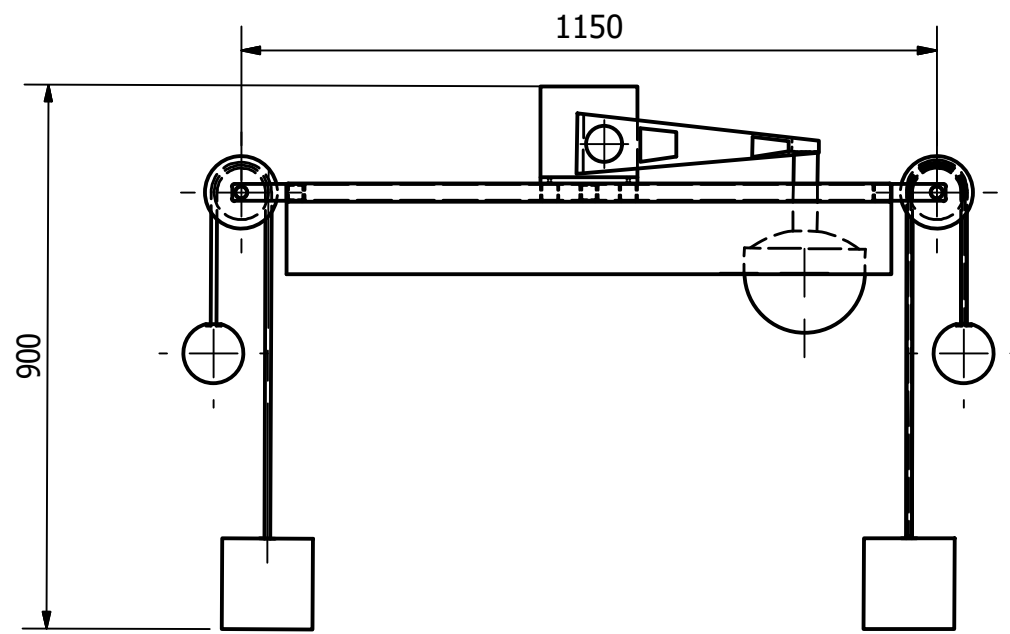
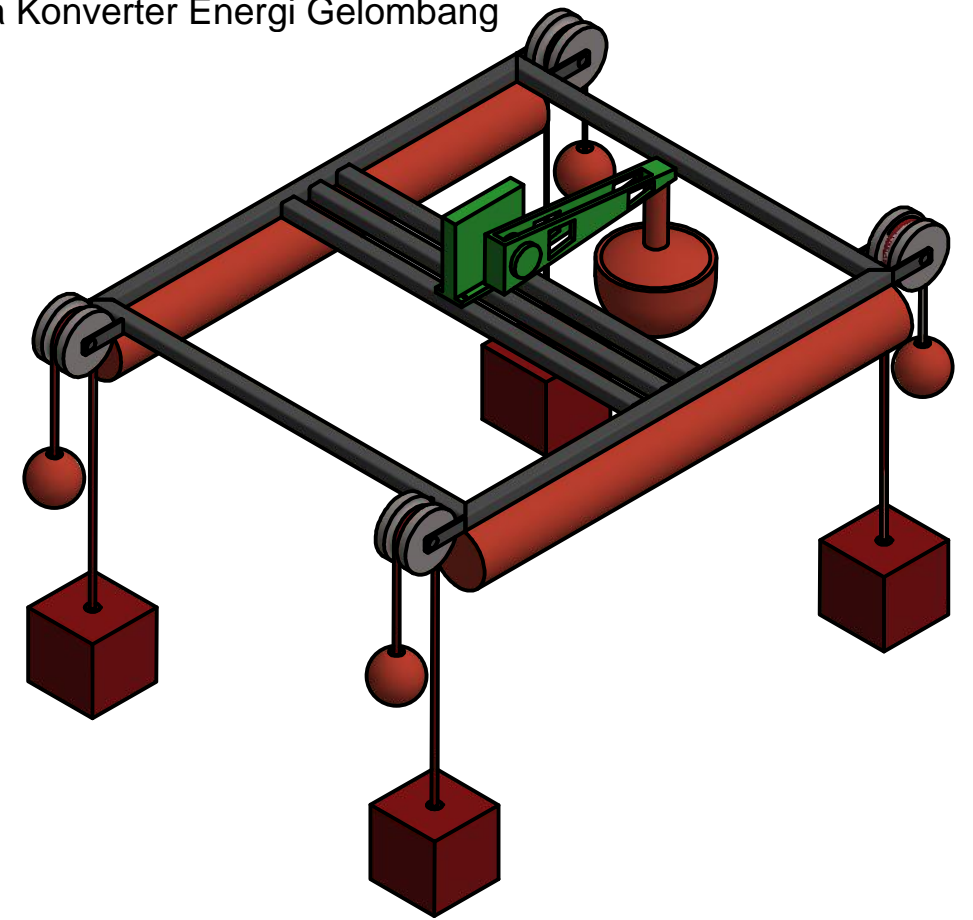
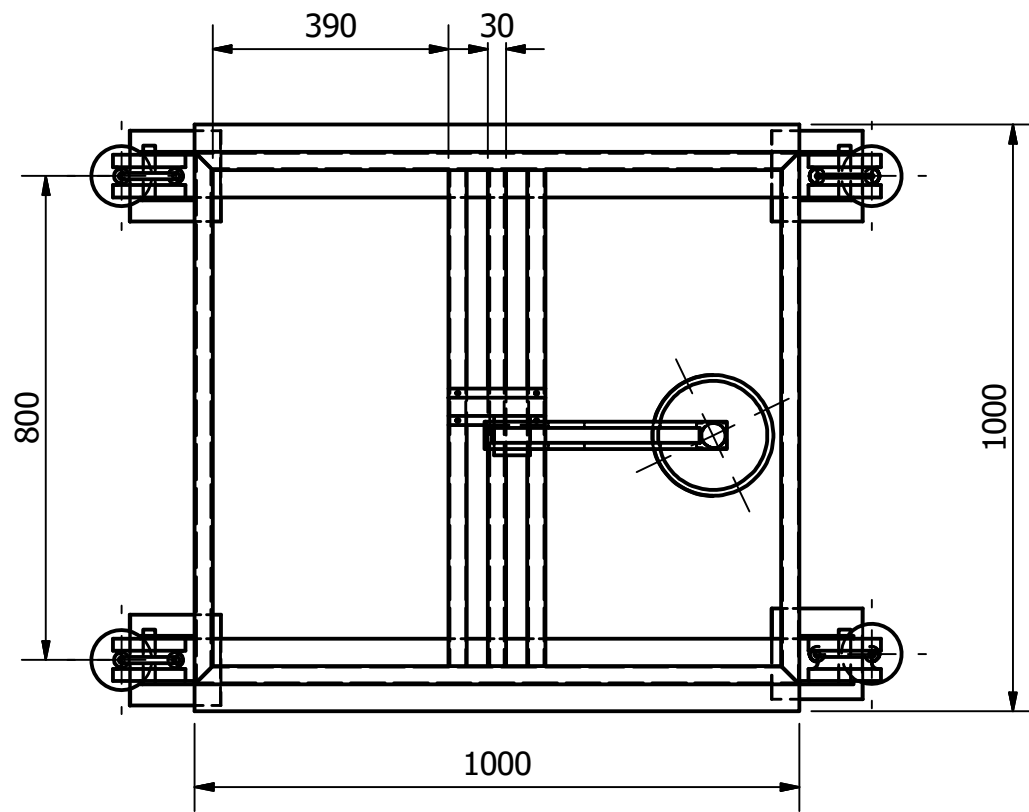
Lampiran B : Gambar setting Eksperimen


DETAIL A  
SCALE 0,08 : 1



	DIGAMBAR : JUFRI		WAVE ENERGY CONVERTER TEREDAM MASSA-INERSIA	
	UKURAN : mm	DIPERIKSA : DAENG PAROKA		
Material :	Total Mass :	TANGGAL : 07-11-2020	DILIHAT : JALALUDDIN	
LAB. CNC/DESIGN POLITEKNIK ATI MAKASSAR			Title :	
				A3

Lampiran C : Dimensi Penyerap Energi Pelampung Bentuk Peluru dengan Rumah Terapung Redaman-Beban pada Konverter Energi Gelombang



	DIGAMBAR : JUFRI		WAVE ENERGY CONVERTER TEREDAM MASSA-INERSIA	
	UKURAN : mm	DIPERIKSA : DAENG PAROKA		
Material :	Total Mass :	TANGGAL : 07-11-2020	DILIHAT : JALALUDDIN	A3
LAB. CNC/DESIGN POLITEKNIK ATI MAKASSAR		Title :		